



WF-2215

Wi-Fi I/O Module with 6-ch RTD Input (Asia Only)

Features

- Compatible with IEEE 802.11a/b/g/n standards
- Support WEP, WPA and WPA2 wireless encryption
- Support Modbus TCP protocols
- Built-in Watchdog
- Built-in I/O
- RTD: 6 Channels



Introduction

The WF-2215 is a dual bands 2.4/5 GHz Wi-Fi interface and 6-channel RTD input module for long-distance temperature measurement and features automatic compensation for three-wire RTD sensor. With the popularity of 802.11 network infrastructure, the WF-2215 makes an easy way to incorporate wireless connectivity into monitoring and control systems. The WF-2215 also supports Modbus TCP protocol and the network encryption configuration, which makes perfect integration to SCADA software and offer easy and safe access for users from anytime and anywhere.

Specifications

Isolation	
Intra-module Isolation	Power: 3000 VDC
Wi-Fi	
Transmission Distance (LoS)	50 meters (LOS)
Standard	IEEE 802.11 a/b/g/n
IRX Sensitivity	95 dBm @ 2.4 GHz
	-90 dBm @ 5 GHz
Output Power	15 dBm (Max.)
Operation Mode	Infrastructure & Limit-AP
Encryption	WEP, WPA and WPA2
Antenna	Omni-Directiona
	3 dBi @ 2.4 GHz
	5.5 dBi @ 5 GHz
Analog Input	
Channels	6
Type	RTD
Sensor Type	Pt100, Pt1000, Ni120, Cu50, Cu100, Cu1000
Resistance Measurement	3.2 kΩ Max.
Resolution	16-bit
Accuracy	±0.05% of FSR
Sampling Rate	12 Hz (Total)
Overvoltage Protection	+120 VDC
Individual Channel Configuration	Yes
Open Wire Detection	Yes
3-wire RTD Lead Resistance Elimination	Yes
Power	
Input Range	+10 VDC ~ +30 VDC
Consumption	1.44 W

Mechanical	
Dimensions (mm)	33 x 127 x 107 (W x L x H) (Without antenna)
Installation	DIN-Rail Mounting
Environment	
Operating Temperature	-25 ~ +75 °C
Storage Temperature	-30 ~ +80 °C
Humidity	10 ~ 90% RH, Non-condensing

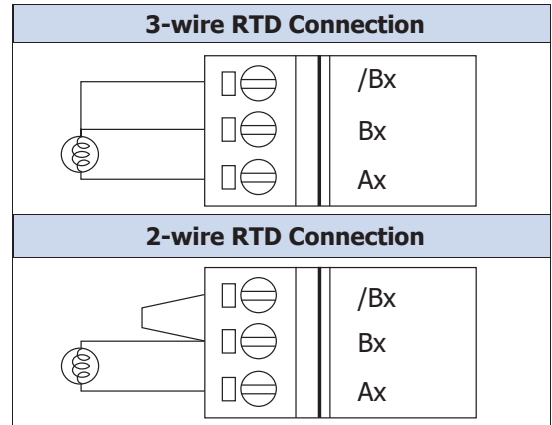
Pin Assignments

Pin Assignment	Terminal No.	Pin Assignment
A3	20	9 A0
B3	18	7 B0
/B3	16	5 /B0
A4	14	3 A1
B4	12	1 B1
/B4	10	9 /B1
A5	08	7 A2
B5	06	5 B2
/B5	04	3 /B2
N/A	02	1 N/A

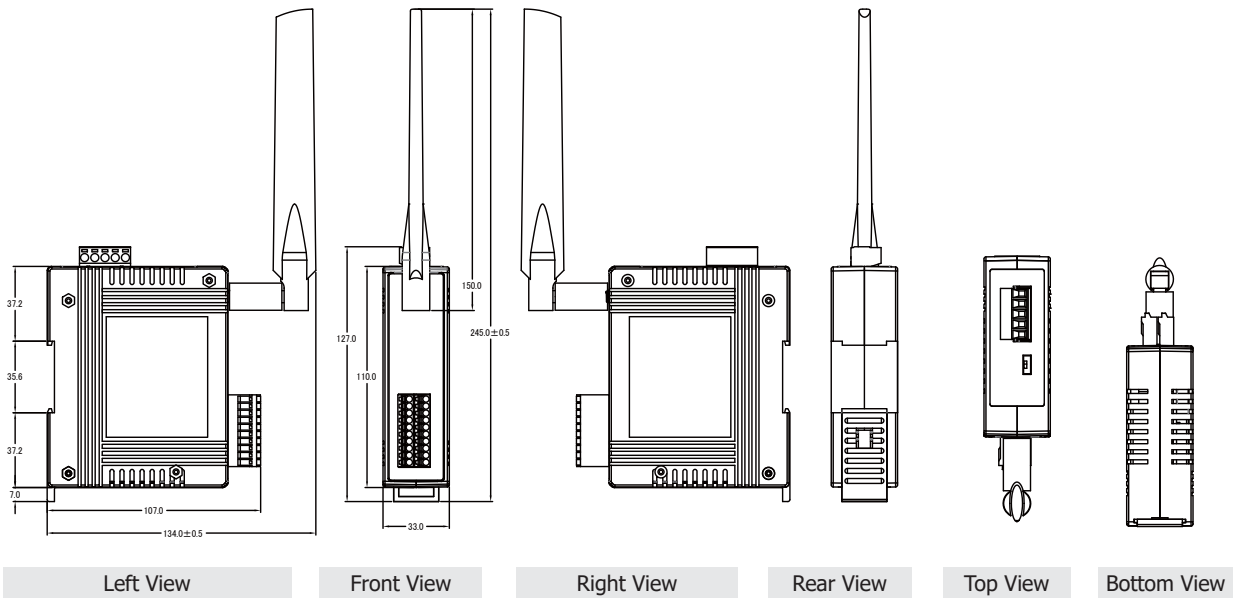
Applications



Wire Connections



Dimensions (Units: mm)



Ordering Information

WF-2215 CR	Wi-Fi I/O Module with 6-ch RTD Input (Asia Only) (RoHS) Includes ANT-225-5 Antenna and CA-0910 Cable
-------------------	---

Accessories

	3S001-1 CR	Antenna Extension Cable, RG58A/U, RP-SMA Male to RP-SMA Female, 1 M (RoHS)
	3S003-1 CR	Antenna Extension Cable, RG58A/U, RP-SMA Male to RP-SMA Female, 3 M (RoHS)
	3S005-1 CR	Antenna Extension Cable, RG58A/U, RP-SMA Male to RP-SMA Female, 5 M (RoHS)
	3S008-1 CR	Antenna Extension Cable, RG58A/U, RP-SMA Male to RP-SMA Female, 8 M (RoHS)