



Feature

- Support FDD LTE B1/B3/B5/B7/B8/B20 and WCDMA 850/900/2100 MHz and GSM 850/900/1800/1900 MHz
- Designed for FDD LTE WCDMA, GPRS and SMS Applications
- Supports TCP Server, TCP Client, UDP Client Connection stack from 4G, 3G or GPRS
- Supports Standard AT Commands
- Supports 32 channels GPS and NMEA v0183 v3.01
- Supports XP 8000, WinPAC 8000, LinPAC 8000, ViewPAC



I-8213W-4GE/4GC

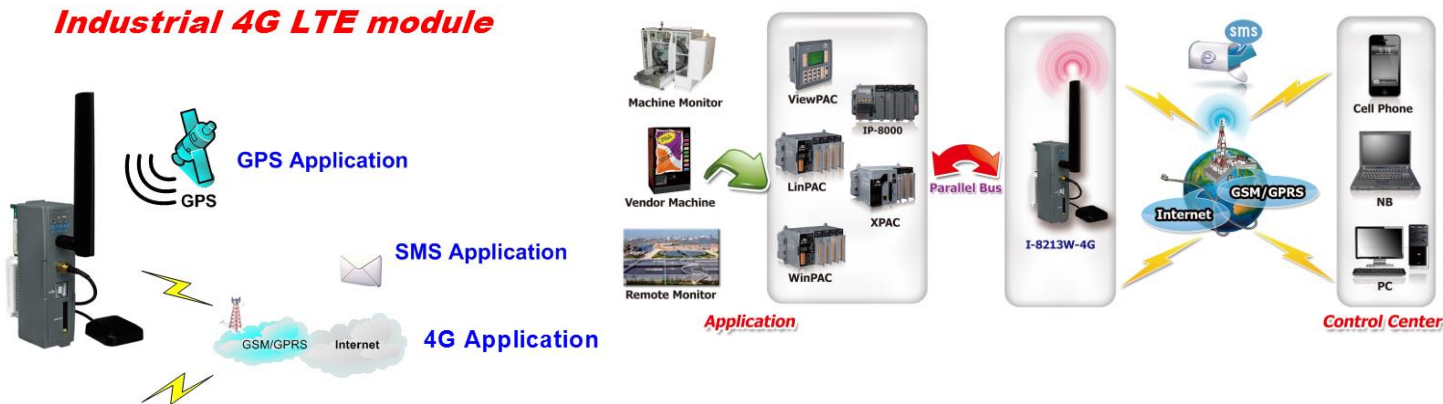
Industrial 4G LTE module with GPS

Introduction

The I-8213W-4G series is an industrial-grade 4G LTE modem module with GPS function. The I-8213W-4GE supports FDD LTE B1/B3/B5/B7/B8/B20 bands, while the I-8213W-4GC supports FDD LTE B1/B3/B8 and TDD LTE B38/B39/B40/B41 bands. WCDMA supports 850/900/2100 MHz with GSM 850 MHz, EGSM 900 MHz, DCS 1800 MHz, PCS 1900 MHz. These modules can collect remote data through convenient and inexpensive 2G/3G/4G networks, including various flow meters or timely remote control. These modules also have built-in TCP/IP stacks, and can be connected to the Internet or SMS with simple control commands. And can be combined with the company's PAC series products for SMS, GPRS and 3G/4G applications, such as WinPAC-8000, LinPAC-8000 or XP-8000.

Applications

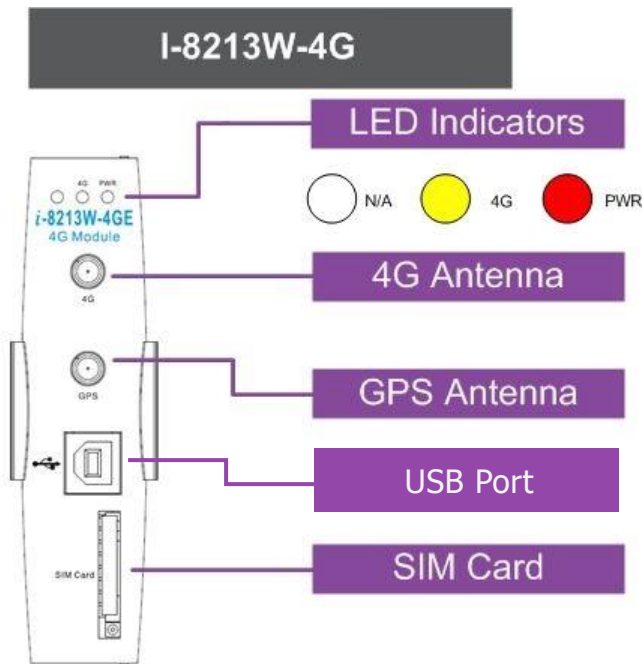
Industrial 4G LTE module



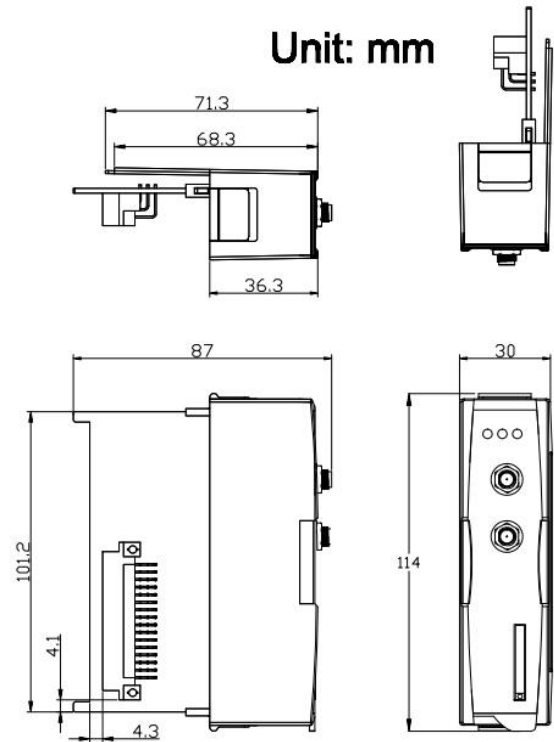
Specifications

型號	I-8213W-4GE	I-8213W-4GC
LED Indicators		
Status	1 x Power 1 x 4G	
2G System		
Data Transmission Rate	GPRS (Kbps) : max. 107 (DL) / 85.6 (UL)	
Frequency Band	850/900/1800/1900 MHz	900/1800MHz
Coding Schemes	CS 1, CS 2, CS 3, CS 4	
GPRS Multi-slot	GPRS class 33; GPRS station class B	GPRS class 12; GPRS station class B
Power Class	Class 4 (2 W @ 850/900 MHz) Class 1 (1 W @ 1800/1900 MHz)	
3G System		
Data Transmission Rate	WCDMA(Kbps): max. 384 (DL) / 384 (UL) DC-HSPA(Mbps): max. 42 (DL) / 5.76 (UL)	DC-HSPA+ (Mbps): max. 42 (DL) / 5.76 (UL) TD-SCDMA(Mbps): max. 4.2 (DL) / 2.2 (UL) CDMA2000 EVDO(Mbps): max. 3.1 (DL) / 1.8 (UL)
Frequency Band	WCDMA: 850/900/2100 MHz	WCDMA: 900/2100 MHz TDSCDMA: 1900/2100 MHz
Power Class	Class 3 (250mW @ WCDMA/HSPA)	
SMS Mode	MT, MO, CB, Text and PDU mode	
4G System		
Data Transmission Rate	LTE-FDD (Mbps): max. 150 (DL) / 50 (UL) LTE-TDD (Mbps): max. 130 (DL) / 30 (UL)	
Frequency Band	FDD LTE:B1/B3/B5/B7/B8/B20	FDD LTE:B1/B3/B8 TDD LTE:B38/B39/B40/B41
GPS/GNSS		
Protocol	NMEA 0183	
Support Channels	32	
USB		
Specification	USB 2.0 (high speed)	
電源		
Consumption	Idle: 0.15 A @ 5 VDC; Data Link: 0.2 ~ 1.62 A (peak) @ 5 VDC	
Mechanism		
Casing	Plastic	
Dimensions	30 x 85x 114 (W x L x H)	
Environment		
Operating Temp.	-25 ~ 75 °C	
Storage Temp.	-30 ~ 80 °C	
Humidity	5~95% RH, non-condensing	

Pin Assignments



Dimensions (Units: mm)



Ordering Information

I-8213W-4GE CR	Industrial 4G LTE module with GPS (RoHS), (Asia Only, Except China)
I-8213W-4GC CR	Industrial 4G LTE module with GPS (RoHS), (for China)

Accessories

ANT-115-03-2 CR	GPS/Glonass magnetic mount antenna with 5M cable (SMA Male Plug) (RoHS)
ANT-421-05 CR	5 dBi, 4G LTE omni-directional antenna (SMA Male Plug) (RoHS)
ANT-Base-01 CR	Antenna magnetic base with 1.5M cable (SMA Male Plug) (RoHS)