



BLE-USB

USB to Bluetooth Low Energy Converter

Features

- Frequency: ISM 2.4 GHz
- Standard: Bluetooth 4.0
- Fully compliant with the USB 1.1/2.0 (High Speed)
- Baud Rate up to 115200 bps
- Wireless transmission range up to 20 meters(Line of Sight)
- Supports OTA firmware upgrade
- Supports multiple connections – Max slave is 3
- Supports two types of communication- advertisements and connection
- Provides AT commands to setup the module
- Provides status / RF link indication LEDs
- No external power supply or antenna require
- Operating temperatures, -25 °C ~ +75 °C



Introduction

The BLE-USB module is small-sized wireless Bluetooth low energy (LE) converter based on the Bluetooth 4.0 standard that allow USB interface to be converted to Bluetooth LE piconet network. The BLE-USB has two transmission modes – advertisement and connection mode. User can use AT command. The AT command not only can set role of Bluetooth LE, but also it can set some connection parameters (e.g. RF power level, broadcast parameters and slave amount).

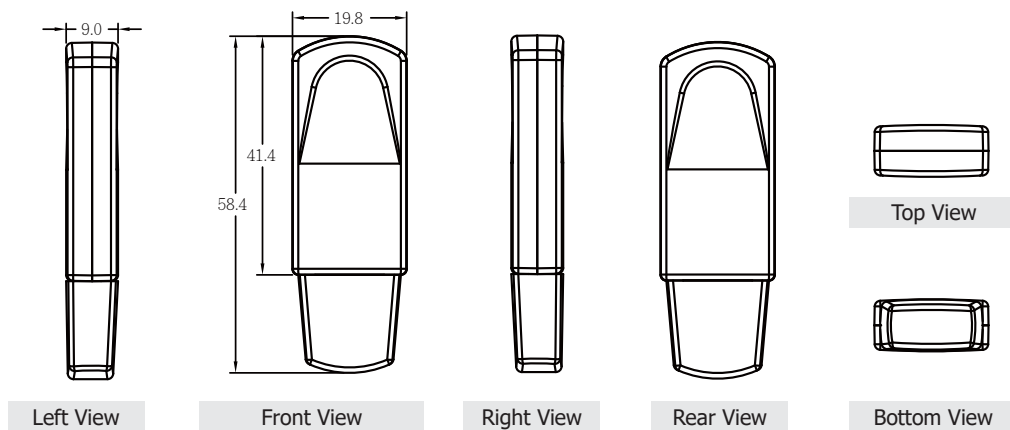
Applications



Specifications

Hardware	
CPU	32 bit, Microprocessor
LED indication	status / RF link
RF Specification	
Tx power	-20~4 dBm @ 2.4 GHz ISM(2402~2480 MHz)
Transmit Range	20 m (LOS)
Max. Slaves	3
Stack Version	Bluetooth 4.0
Role	Master/Slave – connection mode observer /broadcaster – broadcast mode
USB Communication Interface	
Connector	USB 2.0 Type-A Plug
Compatibility	USB 1.1 and 2.0 standard
Driver Support	Windows 98/2000/XP/Vista/7/10 WinPAC (WinCE6.0/7.0) LinPAC (Linux kernel 3.0.0-19)
Power	
Operating Voltage	USB Socket Powered
Power Consumption	0.2 W(Max.)
Mechanical	
Casing	Plastic
Dimensions(W x L x H)	19.8 mm x 58.4 mm x 9 mm
Environment	
Operation Temp.	0°C ~ +45°C
Storage Temp.	0°C ~ +45°C
Humidity	5~95% non-condensing

Dimensions (Units: mm)



Ordering Information

BLE-USB CR	USB to Bluetooth Low Energy Converter (RoHS)
-------------------	----------------------------------------------