




Classification	<input type="checkbox"/> tDS <input type="checkbox"/> tGW <input type="checkbox"/> PETL/tET/tPET <input type="checkbox"/> DS/PDS/PPDS <input type="checkbox"/> tM-752N <input type="checkbox"/> I/O Card <input type="checkbox"/> VXCCard <input type="checkbox"/> VxComm <input checked="" type="checkbox"/> Other (TouchPAD)				
	Author	Mike Chou	Date	2020-03-12	NO.

Q: How do I select the TPD-43x series?

A: According to the different requirement, we will use the different specifications to classify the TPD-43x series.

The different specification for TPD-43x series

Model	Panel Appearance	Serial Port	Ethernet (PoE)	Wall Mounting Method		Protruding height when mounted on a wall (Unit: mm)	
				Outlet Box	External Wall Box	Outlet Box	External Wall Box
TPD-430-H		1 x RS-485	-	OB120	EWB-T43 EWB-T43-BK	24	66
TPD-433-H			✓				
TPD-430-H-EU			-	European-standard 86 x 86 mm	-	28	-
TPD-433-H-EU			✓				
TPD-432F-H		2 x RS-485	-	OB140F OB140FP	EWB-T43F EWB-T43F2	10.9	52.9
TPD-433F-H							
TPD-433-M2		1 x RS-232 1 x RS-485	✓				

The difference between EWB-T43F and EWB-T43F2

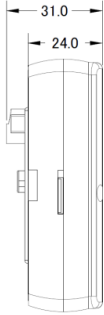
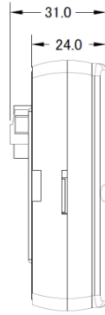
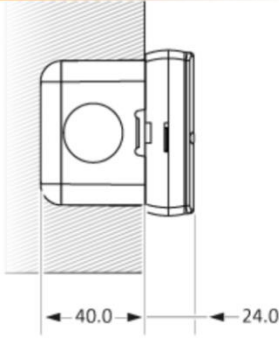
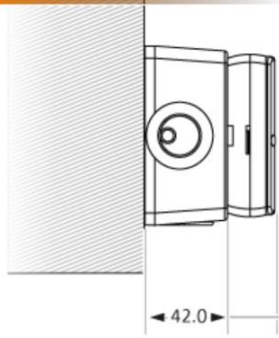
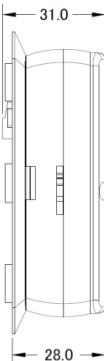
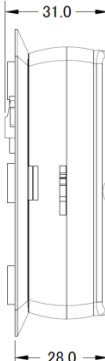
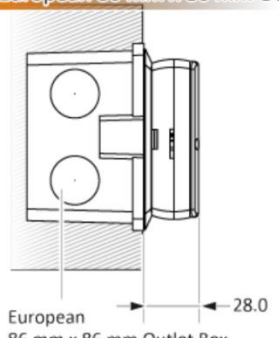

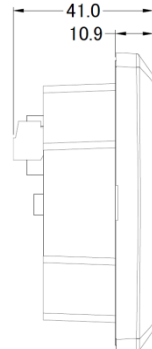
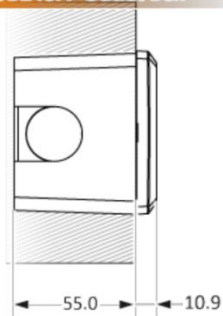
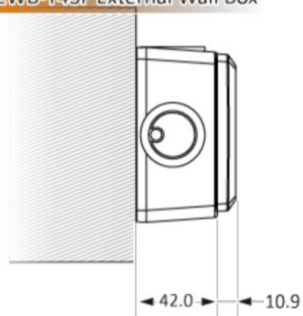
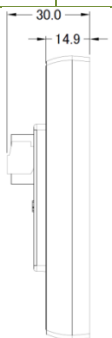
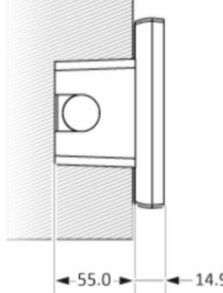
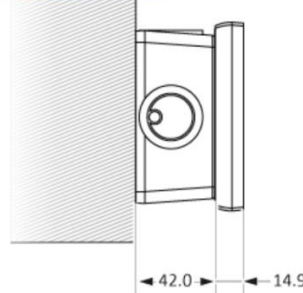
Applicable Model: TPD-432F-H / TPD-433F-H / TPD-433-M2

The size of the TPD-432F-H / TPD-433F-H is slightly large than EWB-T43F.
 The size of the TPD-432F-H / TPD-433F-H is more similar with EWB-T43F2.

Comparison chart:

Model	External Wall Box	Length side	Width side	Rear
TPD-432F-H TPD-433F-H	EWB-T43F			
	EWB-T43F2			
TPD-433-M2	EWB-T43F			
	EWB-T43F2			

Installation side diagram (Unit: mm)

Model	Side Face		Outlet Box	External Wall Box
TPD-430-H TPD-433-H	 TPD-430-H	 TPD-433-H	OB120 Outlet Box  ← 40.0 → ← 24.0 →	EWB-T43 External Wall Box  ← 42.0 → ← 24.0 →
TPD-430-H-EU TPD-433-H-EU	 TPD-430-H-EU	 TPD-433-H-EU	European 86 mm x 86 mm Outlet Box  European 86 mm x 86 mm Outlet Box ← 28.0 →	--
TPD-432F-H TPD-433F-H	 TPD-432F-H	 TPD-433F-H	OB140FP Outlet Box  ← 55.0 → ← 10.9 →	EWB-T43F External Wall Box  ← 42.0 → ← 10.9 →
TPD-433-M2	 TPD-433-M2		OB140FP Outlet Box  ← 55.0 → ← 14.9 →	EWB-T43F External Wall Box  ← 42.0 → ← 14.9 →

Installation diagram

Model	Outlet Box	External Wall Box
TPD-430-H TPD-433-H		
TPD-430-H-EU TPD-433-H-EU		--
TPD-432F-H TPD-433F-H		
TPD-433-M2		

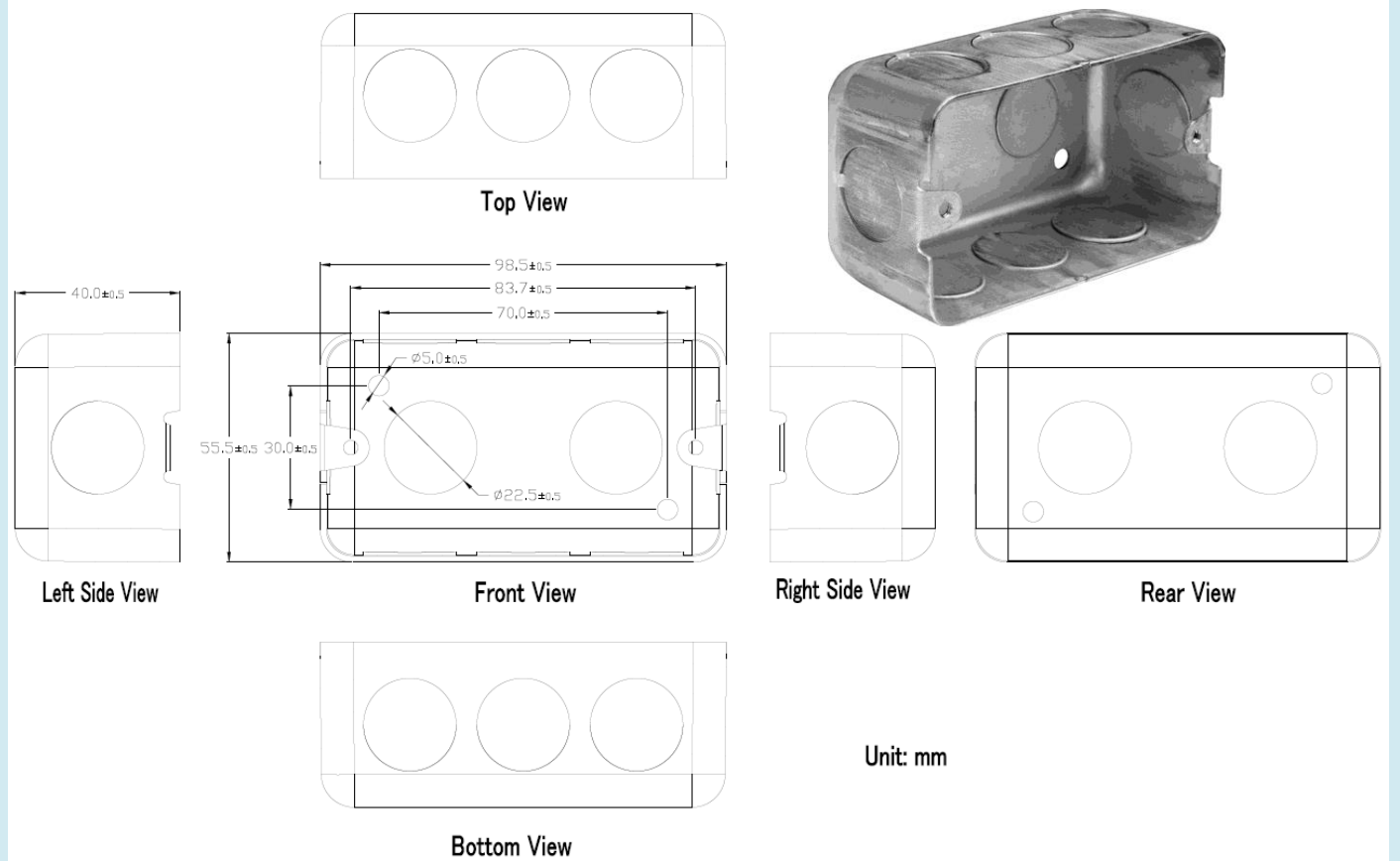
The common specification for TPD-43x series

CPU Module	CPU	Memory Expansion	Real Time Clock (RTC)	Buzzer	Rotary Switch (0~9)	Mechanical	Ingress Protection
	32-bit RISC CPU	16 MB	✓	✓	✓		Front Panel: IP40
Main Machine Interface	LCD	Backlight Life	Brightness	Touch Panel	LED Indicator	Reset Button	
	4.3" TFT, Resolution 480 x 272 x 16, defective pixels <= 3	20,000 hours	400 cd/m ²	✓	✓	✓	
Electrical	Powered from Terminal Block	Power Consumption	Environmental	Operating Temperature	Storage Temperature	Ambient Relative Humidity	
	+12 ~ 48 Vdc	2.5 W		-20 ~ +50 °C	-30 ~ +80 °C	10 % ~ 90% RH, non-condensing	
USB	Only support to download the HMIWorks program						

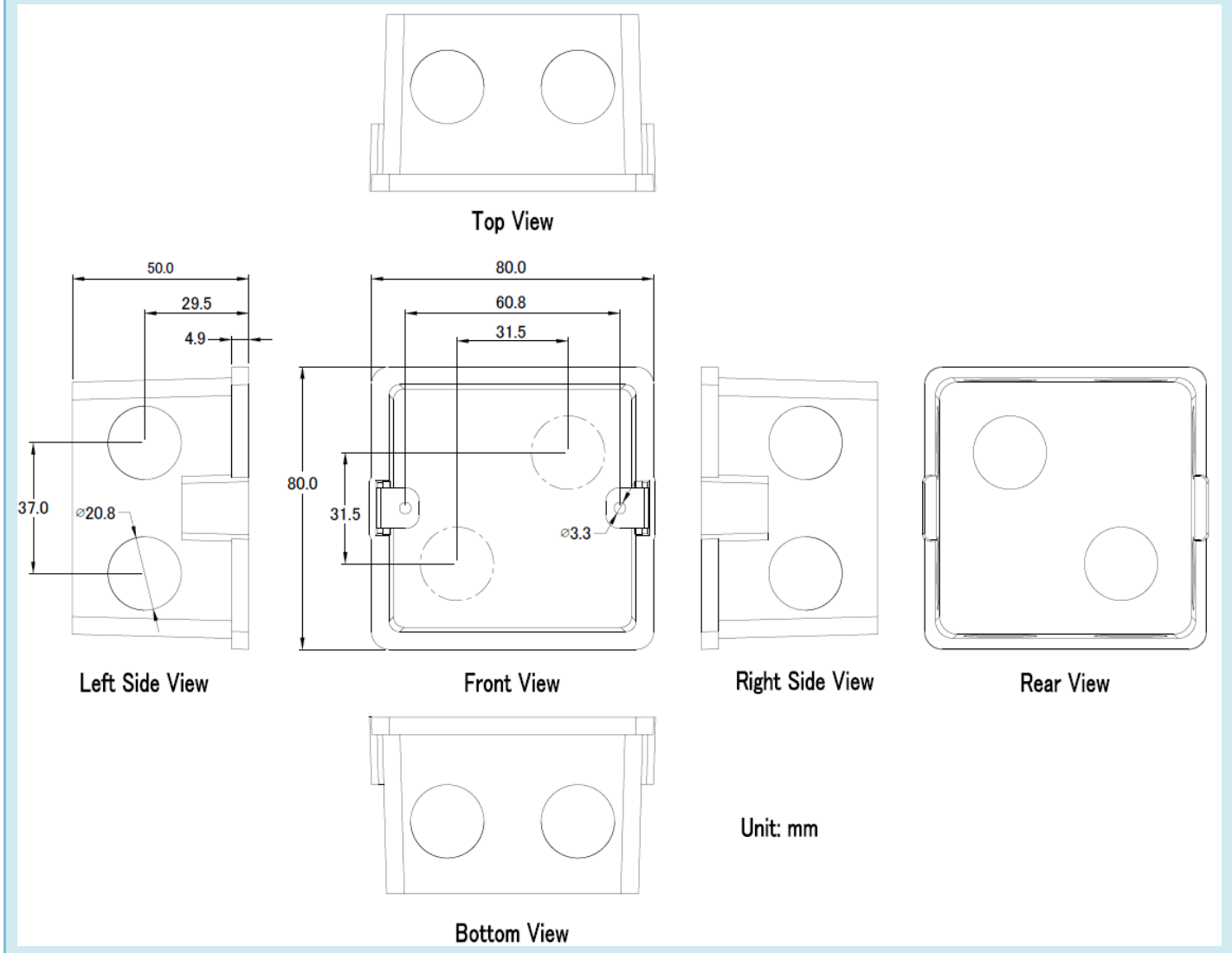
Appendix A - Outlet Box

OB120

(TPD-430-H / TPD-433-H)

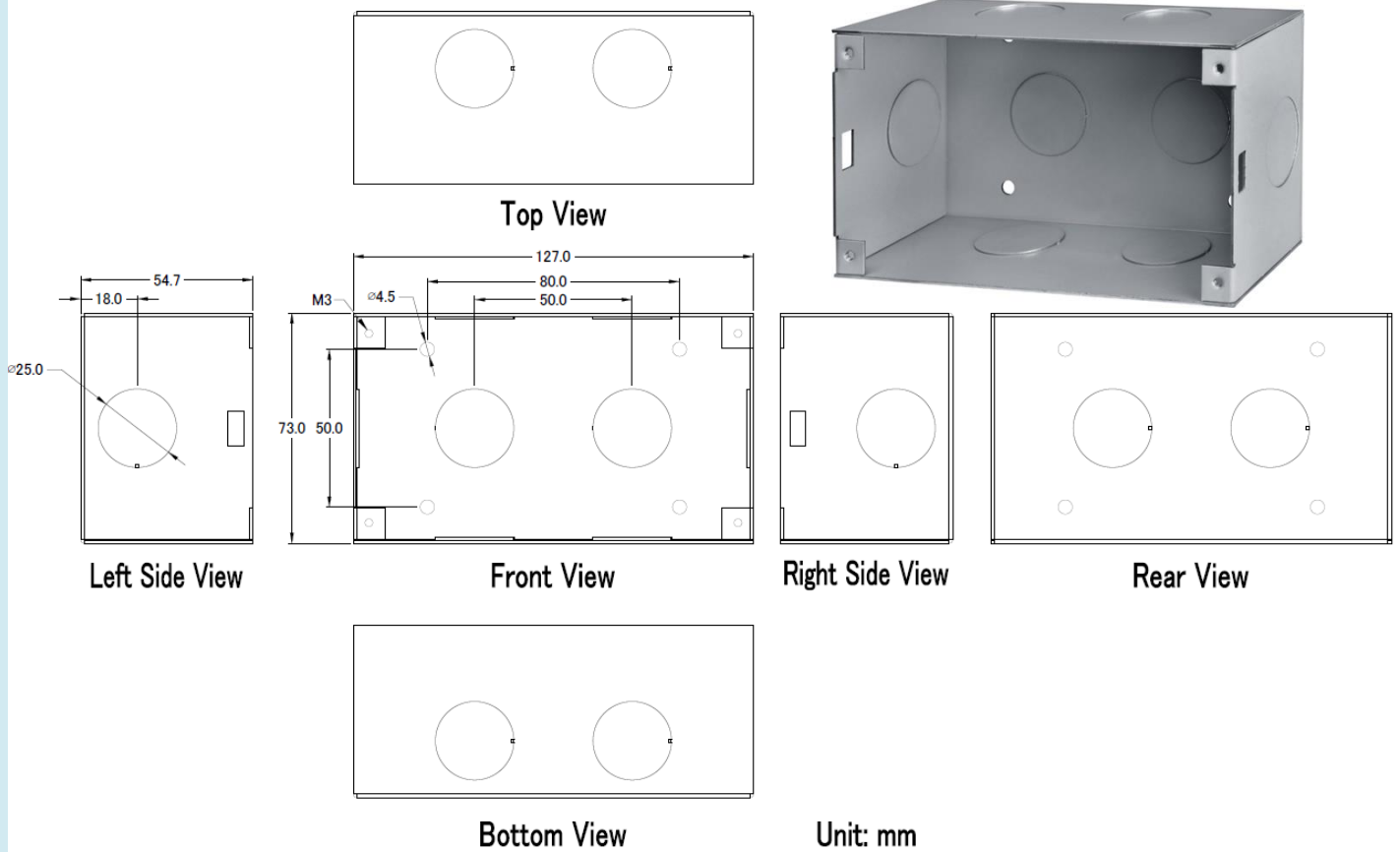


European-standard 86 x 86 mm (TPD-430-H-EU / TPD-433-H-EU)



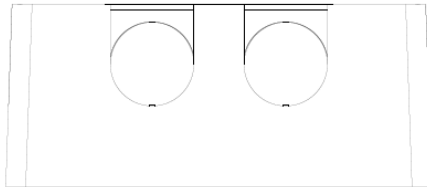
OB140F

(TPD-432F-H / TPD-433F-H / TPD-433-M2)

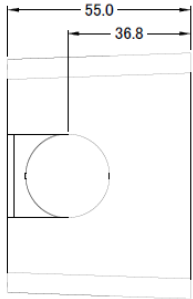


OB140FP

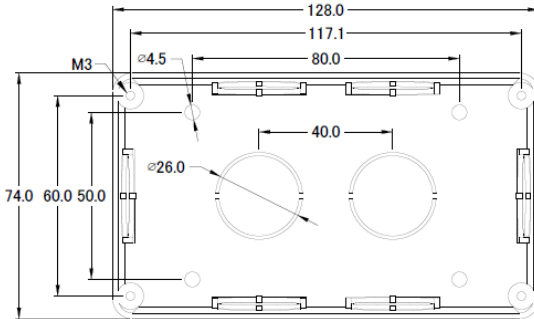
(TPD-432F-H / TPD-433F-H / TPD-433-M2)



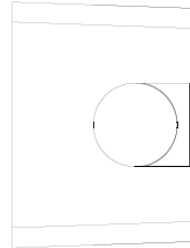
Top View



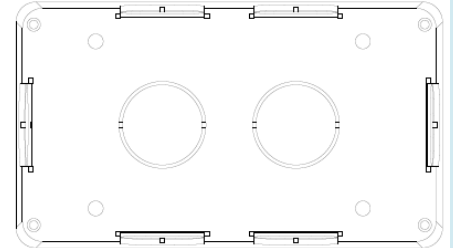
Left Side View



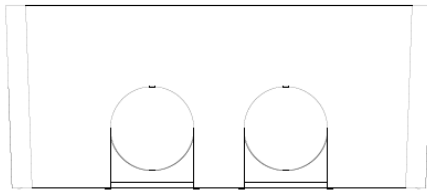
Front View



Right Side View



Rear View



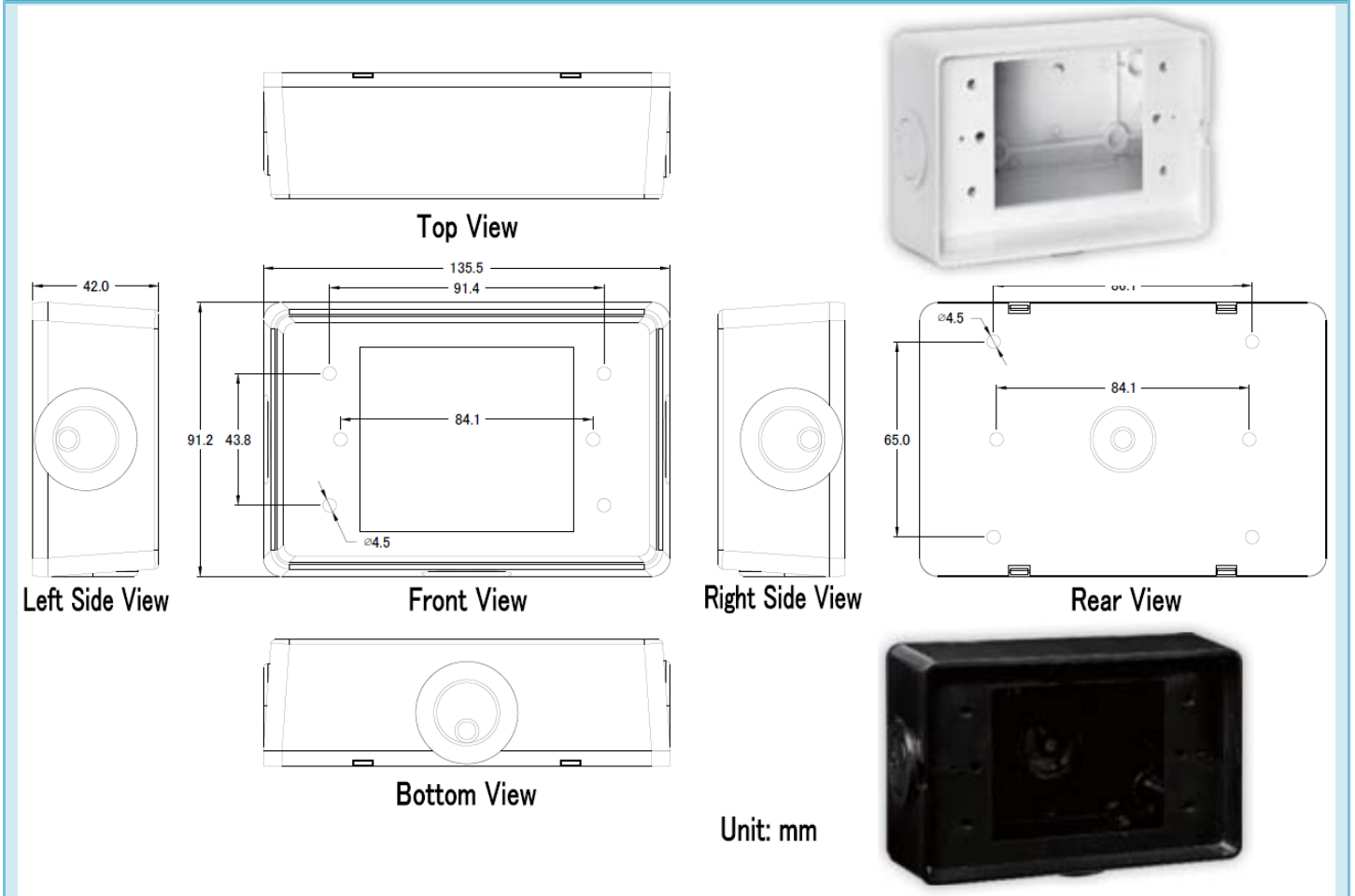
Bottom View

Unit: mm

Appendix B - External Wall Box

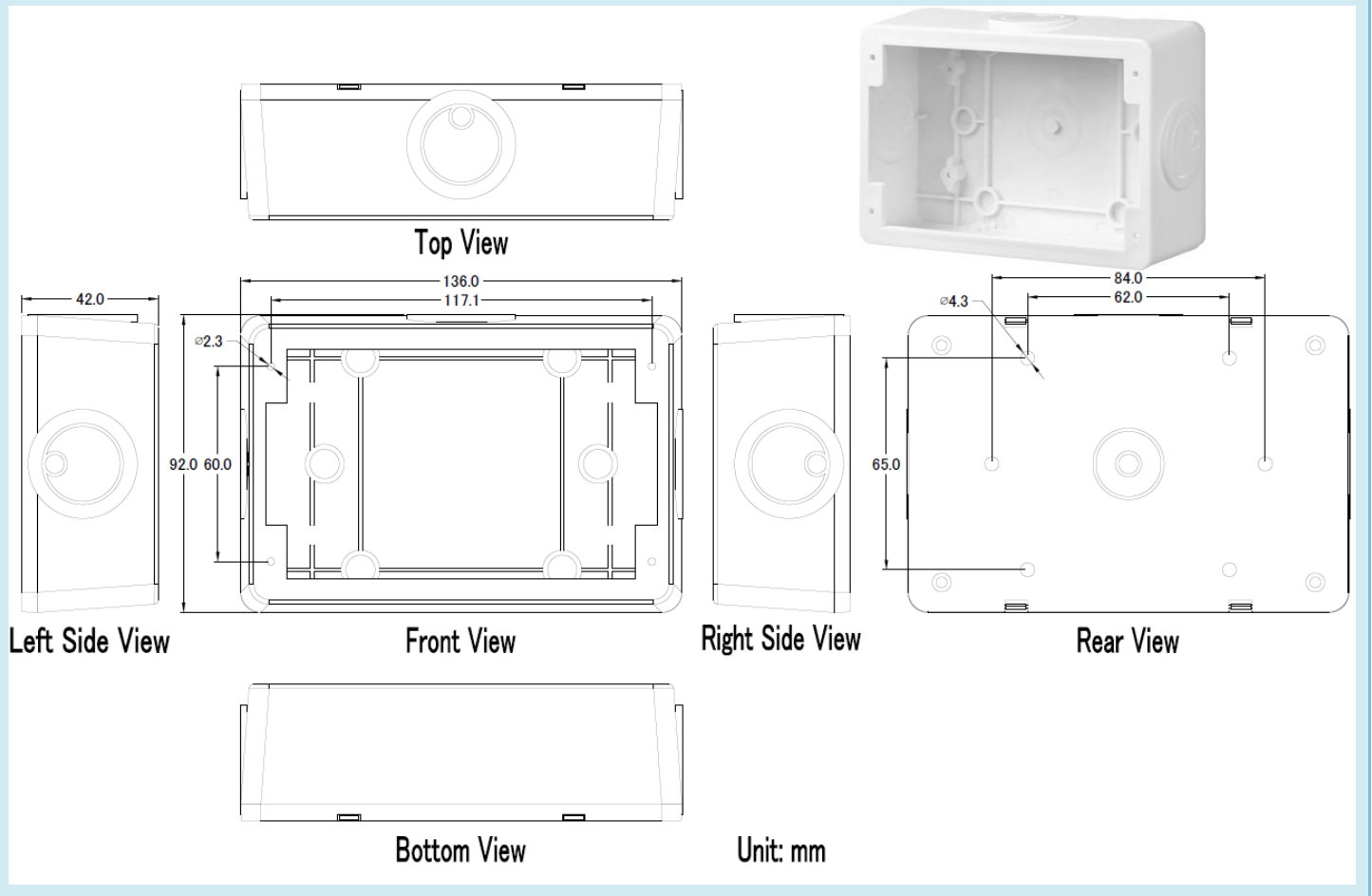
EWB-T43 / EWB-T43-BK

(TPD-430-H / TPD-433-H)



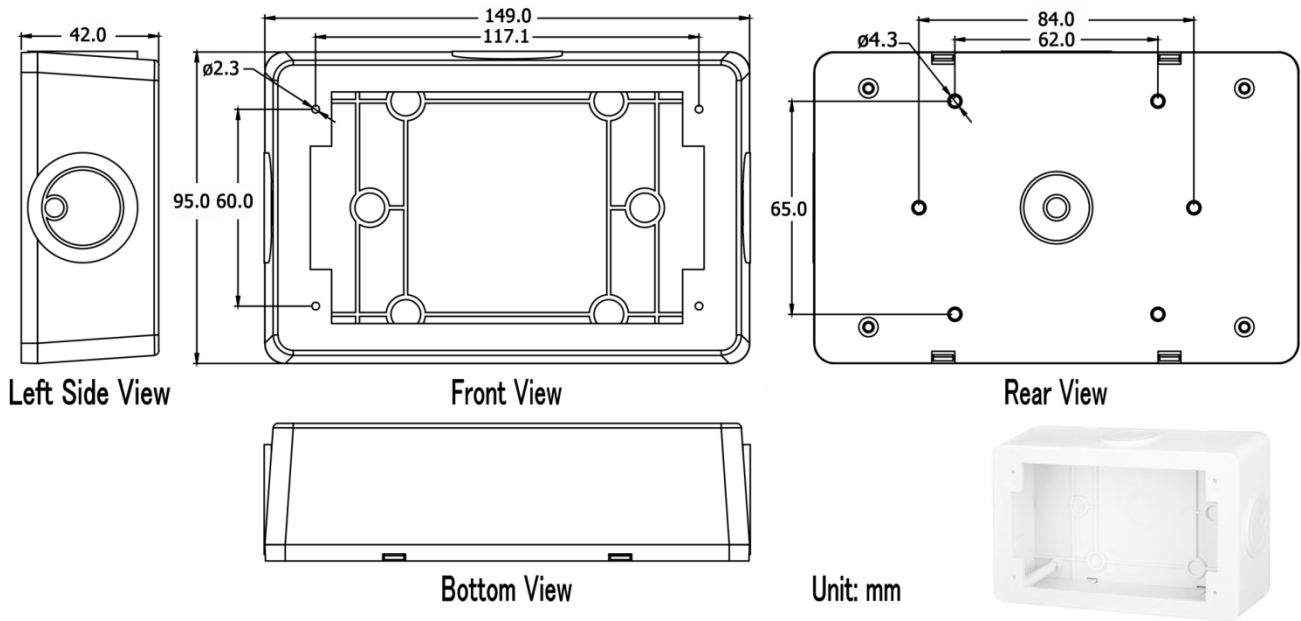
EWB-T43F

(TPD-432F-H / TPD-433F-H / TPD-433-M2)



EWB-T43F2

(TPD-432F-H / TPD-433F-H / TPD-433-M2)



Appendix C - Panel Appearance

TPD-430-H / TPD-433-H / TPD-430-H-EU / TPD-433-H-EU



TPD-430-H



TPD-433-H

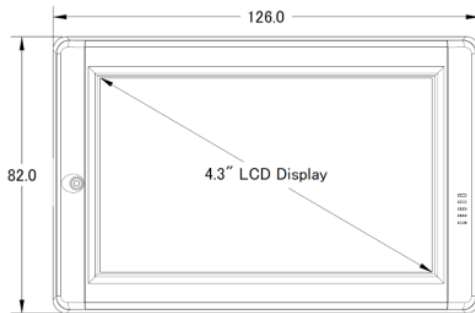


TPD-430-H-EU

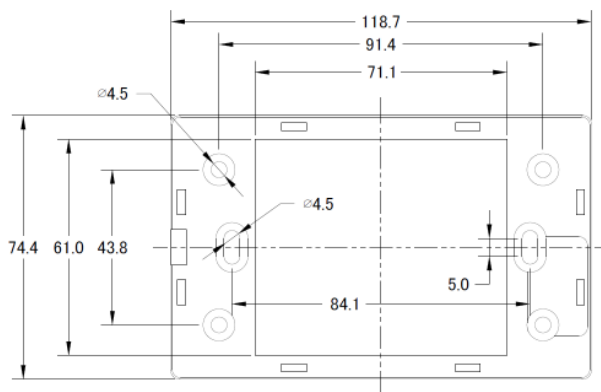
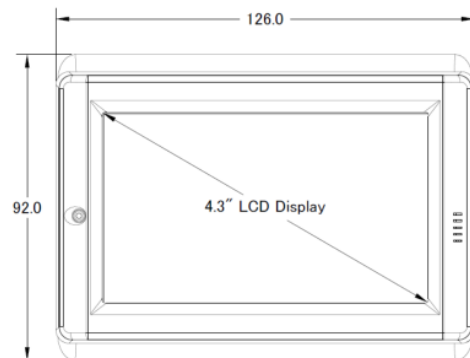


TPD-433-H-EU

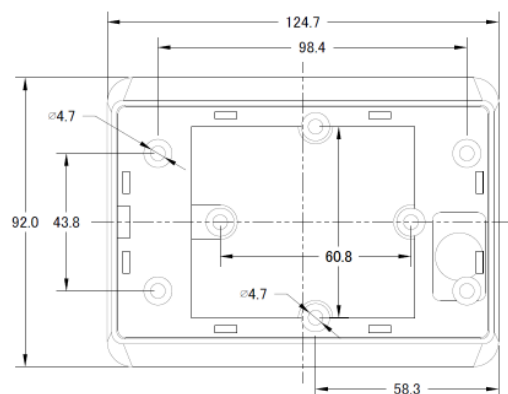
**TPD-430-H
TPD-433-H**



**TPD-430-H-EU
TPD-433-H-EU**

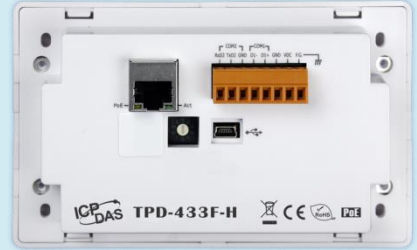


Wall monution



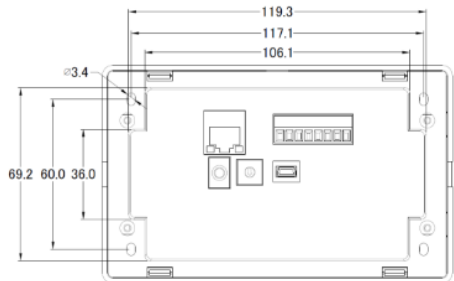
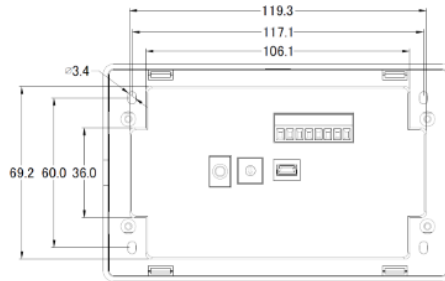
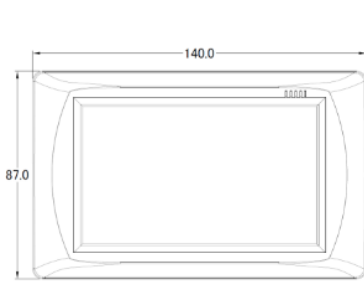
Wall monution

TPD-432F-H / TPD-433F-H



TPD-432F-H

TPD-433F-H



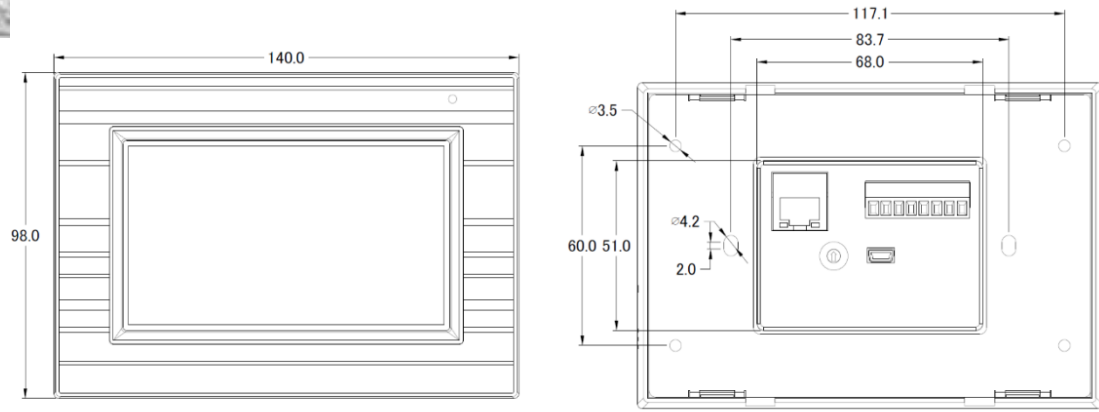
TPD-432F-H

TPD-433F-H

TPD-433-M2



TPD-433-M2



TPD-433-M2