

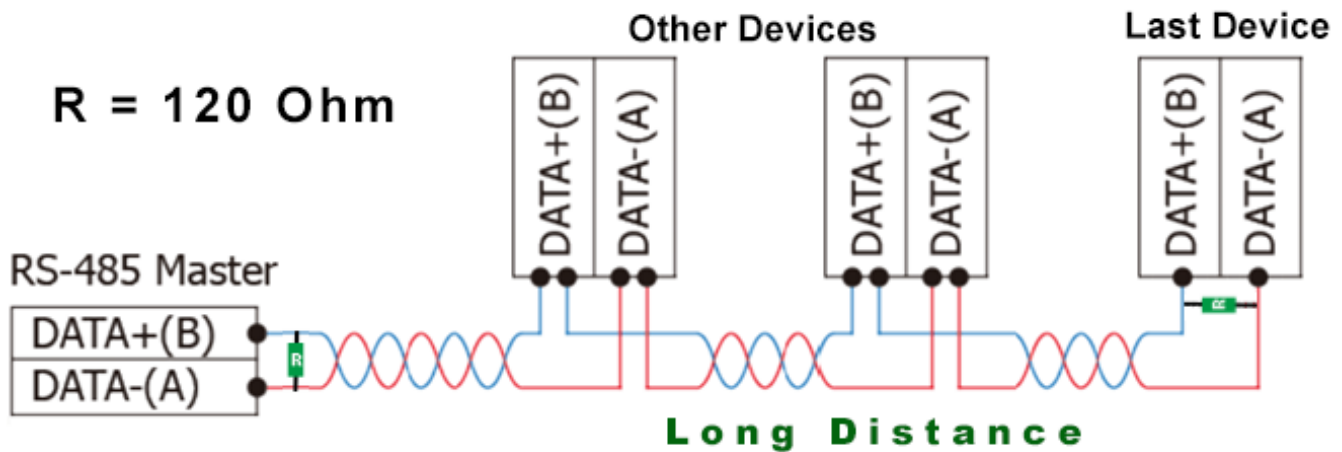
Classification	<input type="checkbox"/> tDS	<input type="checkbox"/> tGW	<input type="checkbox"/> PETL/tET/tPET	<input type="checkbox"/> DS/PDS/PPDS	<input checked="" type="checkbox"/> TouchPAD
	<input type="checkbox"/> I/O Card	<input type="checkbox"/> VXCCard	<input type="checkbox"/> VxComm	<input type="checkbox"/> Other	
Author	Mike Chou	Date	2020-02-19	NO.	FAQ001

Q: How many TouchPAD devices can be put in a RS-485 network ?

A: Due to impedance matching, about 16 TouchPAD devices can be put in the same RS-485 network. Adding more TouchPAD or the overly long RS-485 network may cause poor communication or instability. In order to eliminate or prevent the occurrence of this problem, you can try the following:

1. If communication is unstable, add termination resistors (120 Ohm) on both sides of the RS-485 twisted-pair cable bus.

The following figure illustrates the configuration.



2. Reduce the Baud Rate for the serial port.

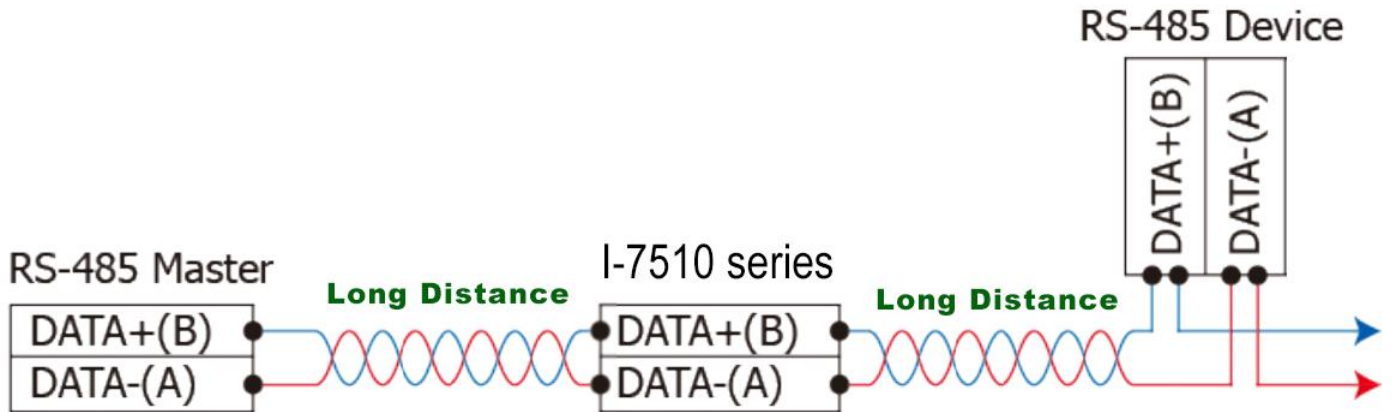
In a typical configuration, the distance that a signal can be reliably transmitted becomes shorter as the Baud Rate is increased. As an example, we use the Belden 9841 2P twisted-pair cable

Max. 1,200 m at 9.6 kbps

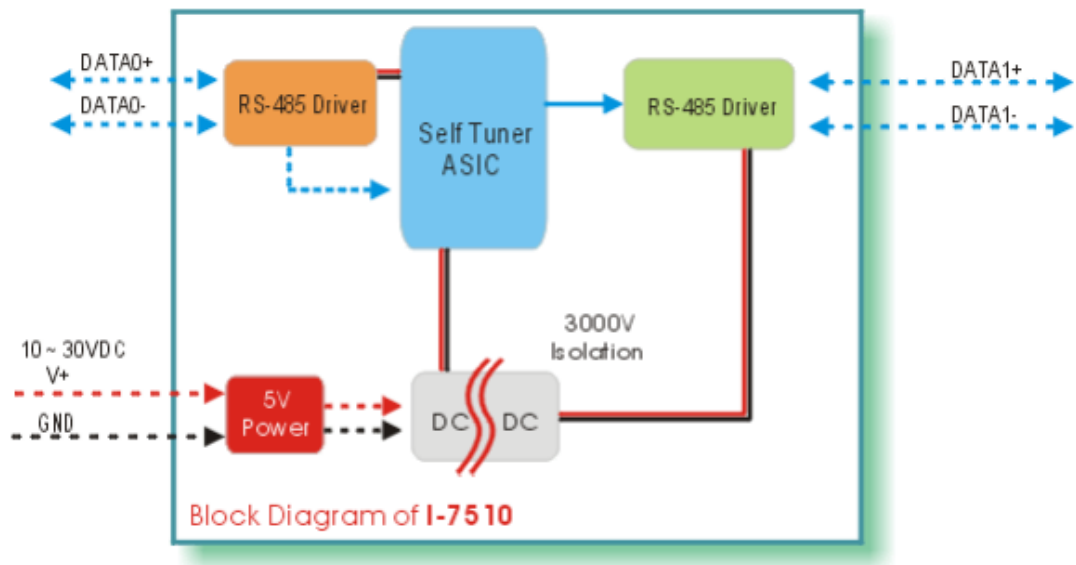
Max. 400 m at 115.2 kbps

- Situations where the distance is too long, or where there is excessive load, will cause the signal from the RS-485 to attenuate. Use a Repeater such as the ICPDAS I-7510 series, for example, to enhance the signal.

The following figure illustrates how to configure the I-7510 series.



Block Diagram for the I-7510



- Connect the GND pin on the devices to prevent environmental interference.

