



SG-785

The RS-485 pull-high/pull-low and termination resistors module

Features

- Switch selectable pull-high/pull-low resistors
- 15-step switch selectable termination resistor
- LED Indicator for Power/Termination
- DIN-Rail mountable



Introduction

The SG-785 is an optional module that is used to improve the communication of RS-485 network. It provides switch selectable pull-high and pull-low resistors on RS-485 network. It also has 15-step switch selectable termination resistor such that the user can select a proper termination resistor to be connected to the RS-485 network easily.

Applications

RS-485 signal pull-high/pull-low and long distance communication termination resistor setting.

System Specifications

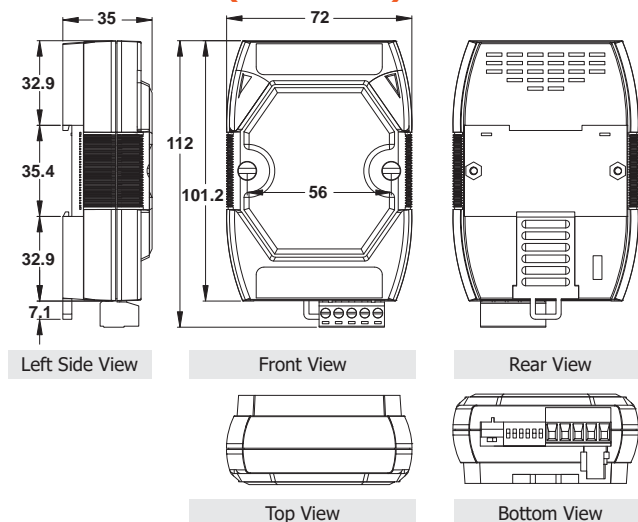
Interface	RS-485
Pull-high/pull-low Resistors	1 k Ω
Termination Resistance	15 steps, 65 ~ 560 Ω
LED Display	1 red LED as power indicator, 1 green LED as termination indicator
Power Requirements	
Powered from Terminal Block	Yes, 10 ~ 30 VDC
Consumption	0.5 W
Mechanical	
Dimensions (L x W x H)	112 mm x 72 mm x 35 mm
Installation	DIN-Rail Mounting
Environment	
Operating Temperature	-25 ~ +75 $^{\circ}\text{C}$
Storage Temperature	-40 ~ +80 $^{\circ}\text{C}$
Humidity	5 ~ 95% RH, Non-condensing

Switch Setting

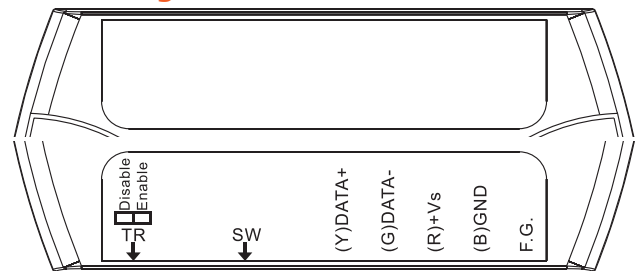
SW1	SW2	SW3	SW4	Termination Resistance (Ω)
ON	ON	ON	ON	65
ON	ON	ON	OFF	74
ON	ON	OFF	ON	76
ON	OFF	ON	ON	81
ON	OFF	OFF	ON	99
ON	OFF	ON	OFF	96
ON	ON	OFF	OFF	88
ON	OFF	OFF	OFF	120
OFF	ON	ON	ON	144
OFF	ON	ON	OFF	193
OFF	ON	OFF	ON	207
OFF	ON	OFF	OFF	330
OFF	OFF	ON	ON	256
OFF	OFF	ON	OFF	470
OFF	OFF	OFF	ON	560

SW5	SW6	RS-485 Status
ON	OFF	Add a pull high resistor to D+ line
OFF	ON	Add a pull low resistor to D- line
ON	ON	Add a pull high resistor to D+ line and add a pull low resistor to D- line

Dimensions (Units: mm)



Pin Assignments



Ordering Information

SG-785 CR	The RS-485 pull-high/pull-low and termination resistors module (RoHS)
------------------	---