



VP-2201-CE7/VP-3201-CE7

VP-4201-CE7/VP-5201-CE7/VP-6201-CE7

7"/8.4"/10.4"/12.1"/15" Standard ViewPAC with Cortex-A8 CPU and WinCE 7.0

Features

- 7", 8.4", 10.4", 12.1" and 15" TFT LCD with Touch Panel
- Cortex-A8, 720 MHz/1 GHz CPU
- Windows CE 7.0
- Hard Real-Time Capability
- 64-bit Hardware Serial Number
- Support eLogger HMI (free)
- PoE (Power over Ethernet)
- NEMA 4/IP65 Compliant Front Panel
- Operating Temperature: -10 °C ~ +60 °C



Introduction

The VP-x201-CE7 are CE7 based ViewPAC that combine computing, I/O, and operator interface into a single unit, and provide the perfect solution for integrating HMI, data acquisition and control in an individual PAC. It is equipped with an Cortex-A8 CPU, TFT LCD and a variety of connectives including dual a Gigabit Ethernet, USB port, RS-232 and RS-485 interface. I/O expansion is available to use our Ethernet I/O modules and RS-485 I/O modules. Designed for panel mount installation, the front panel is NEMA 4/IP65 rated and can withstand sprayed water, humidity and extreme dust. Designed to operate over a wide -10°C ~ 60°C ambient temperature range, the fanless design offers the ultimate in reliability with no moving parts.

Windows Embedded Compact 7 is a componentized, hard real-time, high performance, and highly reliable operating system. CE7 delivers rich user experiences and a unique connection to Windows PCs, servers, services, and devices.

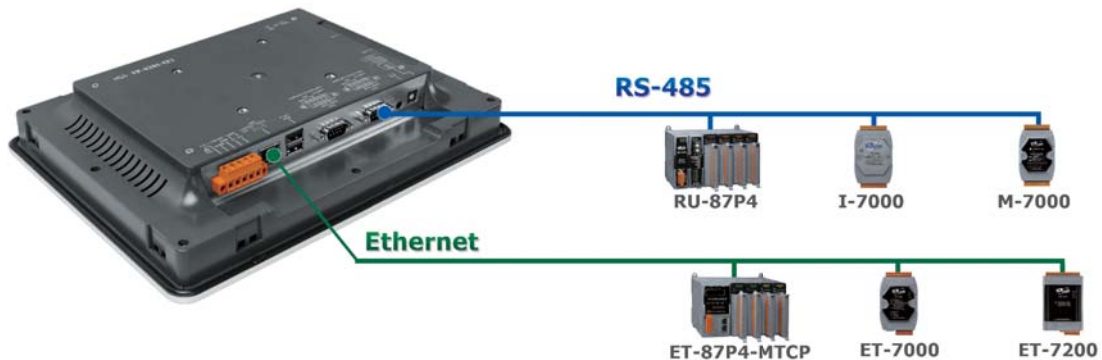
Windows Embedded Compact 7



Windows Embedded Compact 7 is a compact and hard real-time OS used to quickly create time critical and high performance applications. Using CE7 gives an ability to run PC-based control software such as Visual Basic .NET, Virtual C#, SCADA software, SoftPLC... etc.

- FTP Server
- Web Server
- SQL Compact Edition 3.5
- .NET Compact Framework 3.5
- Virtual CE Pro (VECP)

Applications

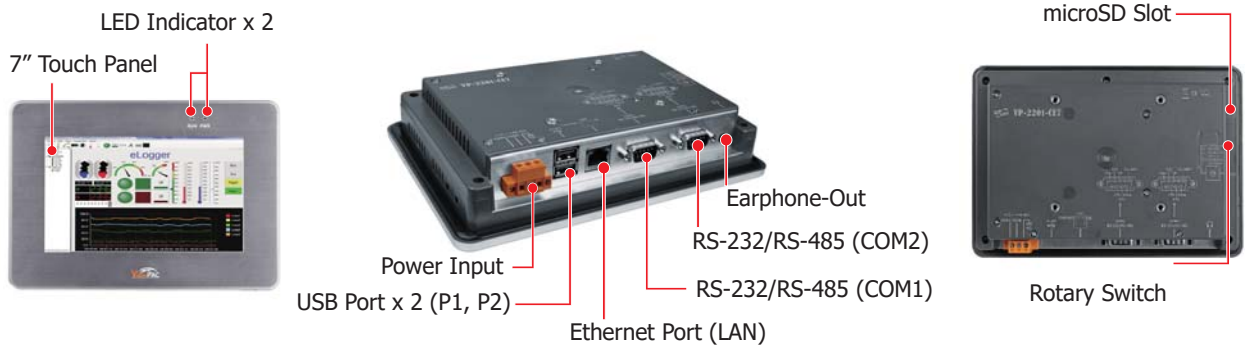


Specifications

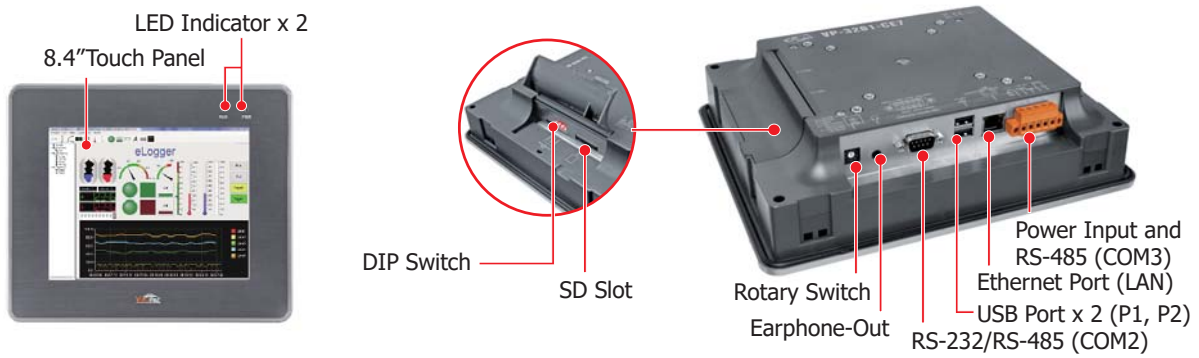
Models	VP-2201-CE7	VP-3201-CE7	VP-4201-CE7	VP-5201-CE7	VP-6201-CE7
Display					
Size	7" (16:9)	8.4" (4:3)	10.4" (4:3)	12.1" (4:3)	15" (4:3)
Resolution	800 x 480		800 x 600		1024 x 768
Brightness	400 cd/m ²				
Backlight Life	20,000 hours	50,000 hours			
Touch Panel	4-wire, resistive type; light transmission: 80 %	5-wire, resistive type; light transmission: 80 %			
Color	16 bit RGB, 64 K full Colors				
Contrast Ratio	500:1	8.4" (4:3)	10.4" (4:3)	12.1" (4:3)	15" (4:3)
System Software					
OS	Windows CE 7.0				
Framework Support	.Net Compact Framework 3.5				
Service	FTP server, Web server (supports VB script, JAVA script), SQL Compact Edition 3.5				
SDK	DII for VC, DII for Visual Studio.Net 2008				
Multilanguage Support	English, German, French, Spanish, Russian, Italian, Korean, Simplified Chinese, Traditional Chinese				
CPU Module					
CPU	Cortex-A8, 1.0 GHz				
64-bit Hardware Serial Number	Yes				
System Memory	512 MB DDR3 SDRAM, 256 MB Flash (SSD)				
Storage	4 GB microSD card (up to 32 GB)	A SD/microSD adapter and 4 GB microSD card (up to 32 GB)			
Non-Volatile Memory	128 KB MRAM, 16 KB EEPROM				
RTC (Real Time Clock)	Provide seconds, minutes, hours, day of week/month, month and year				
Watchdog Timer	Dual Watchdog Timer				
Rotary Switch	1 x 10 Position (0 ~ 9)				
LED Indicator	1 x System, 1 x Power				
Audio	Earphone-Out				
Buzzer	Yes				
Communication Interface					
Ethernet	1 x RJ-45, 10/100/1000 Base-TX (Auto-negotiating, Auto MDI/MDI-X, LED indicators)				
USB 2.0	2				
COM1	RS-232/RS-485; 2500 VDC isolated	-	RS-232/RS-485; 2500 VDC isolated		
COM2	RS-232/RS-485; 2500 VDC isolated				
COM3	-	RS-485; 2500 VDC isolated			
Mechanical					
Dimensions (W x H x D, unit: mm)	213 x 148 x 44	249 x 207 x 64	291 x 229 x 54	324 x 255 x 64	381 x 305 x 63
Panel Cut-Out (W x H, unit: mm)	197 x 133, ± 1	235 x 193, ± 1	277 x 215, ± 1	310 x 241, ± 1	362 x 286, ± 1
Installation	Panel mounting, VESA Mounting (75 mm x 75 mm)				
Ingress Protection	Front panel: NEMA 4/IP65				
Weight	700 g	1250 g	1830 g	2290 g	2865 g
Environmental					
Operating Temperature	-10 °C ~ +60 °C				
Storage Temperature	-20 °C ~ +70 °C				
Humidity	10 ~ 90 % RH, Non-condensing				
Power					
Input Range	+12 VDC ~ +48 VDC				
Powered from PoE	Yes				
Redundant Power Inputs	-	Yes			
Consumption	6.0 W	7.5 W	13.0 W	14.0 W	16.0 W

Appearance

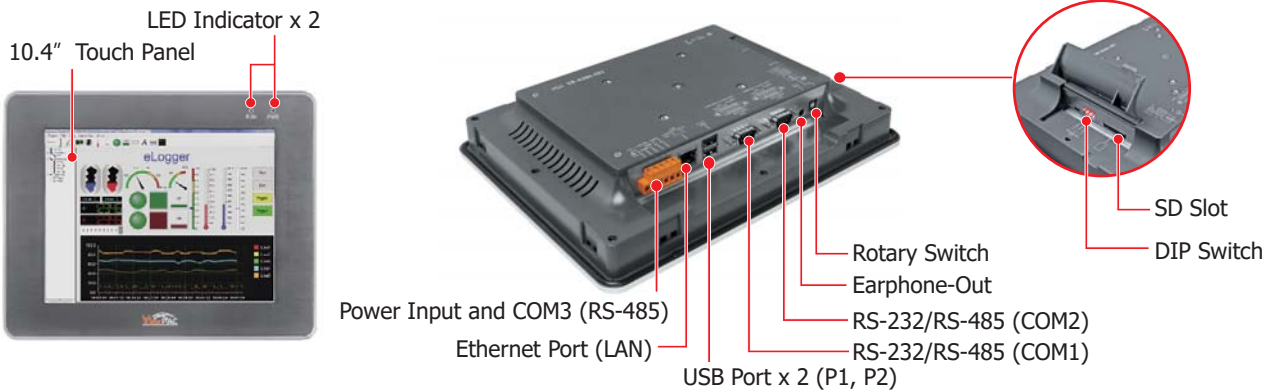
VP-2201-CE7



VP-3201-CE7

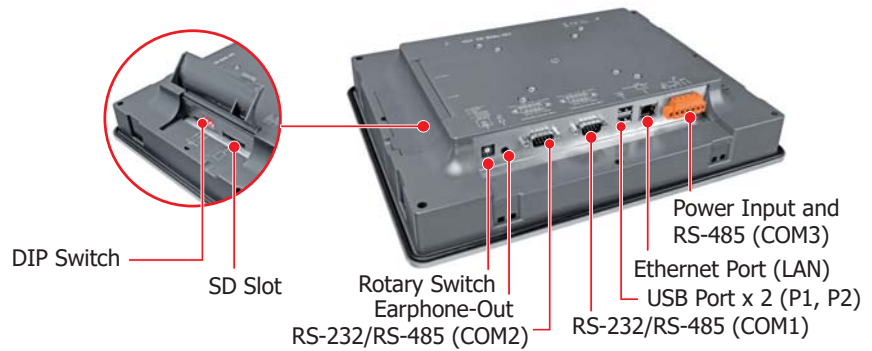
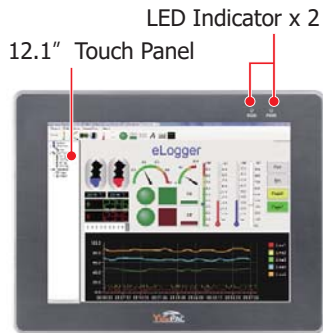


VP-4201-CE7

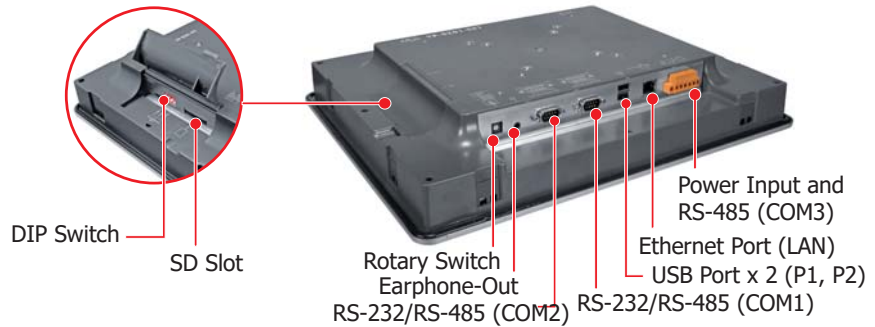
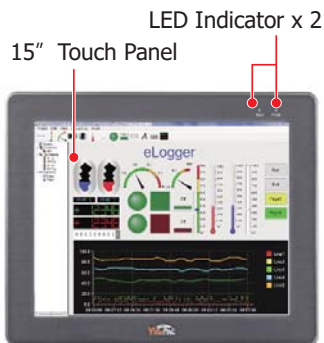


Appearance

VP-5201-CE7

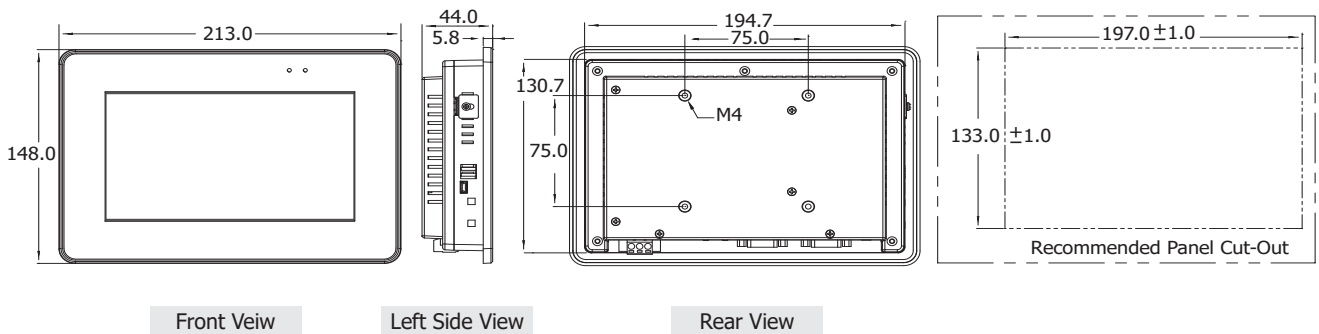


VP-6201-CE7

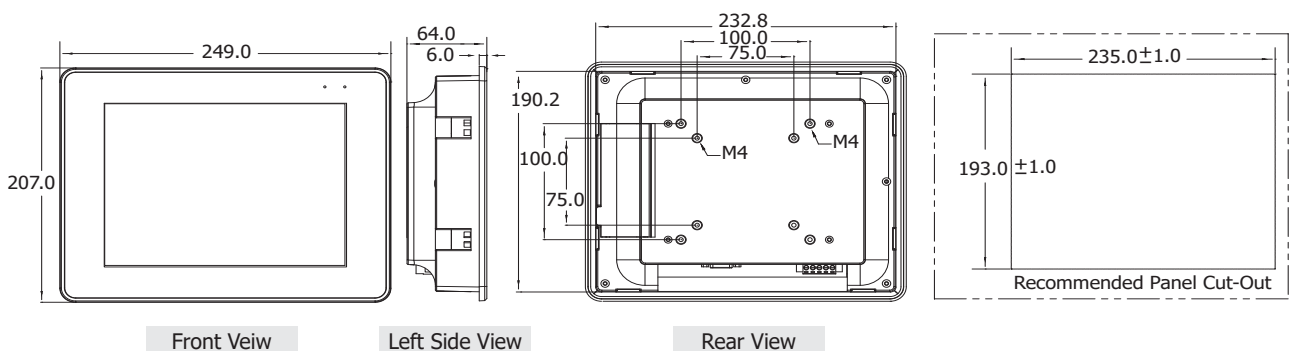


Dimensions (Units: mm)

VP-2201-CE7

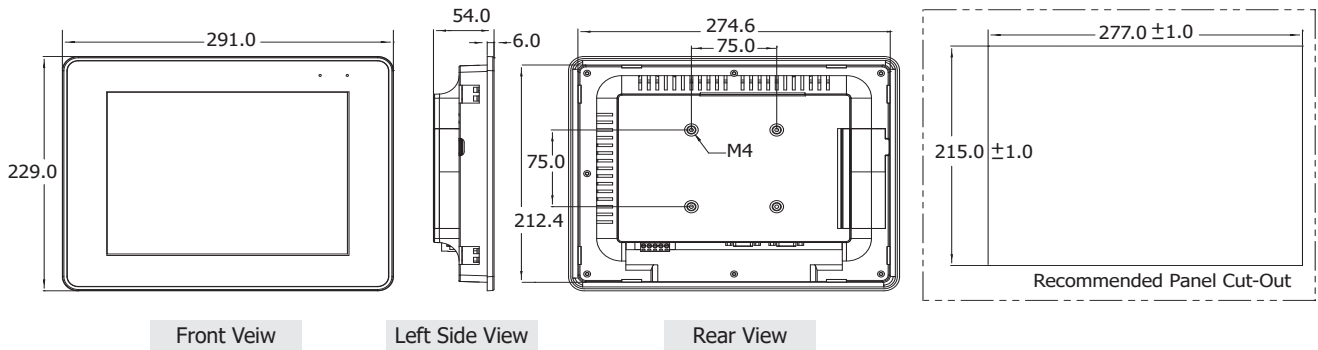


VP-3201-CE7

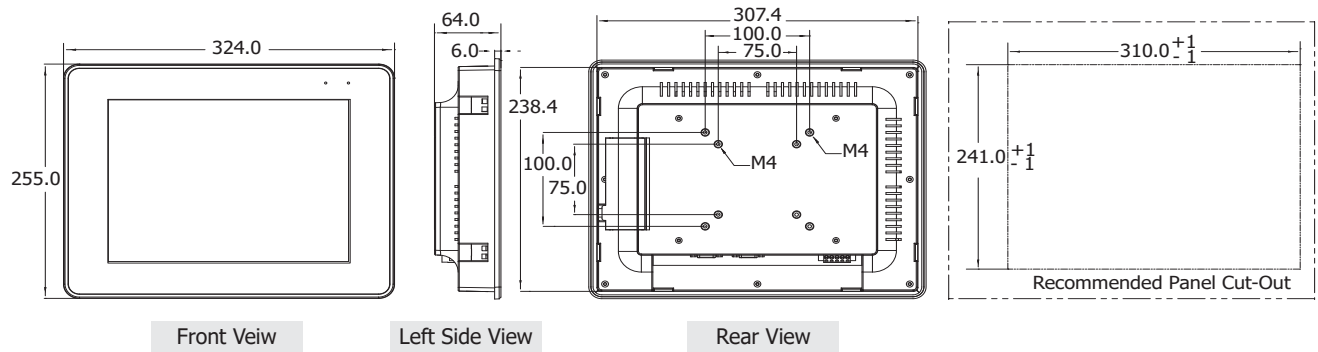


■ Dimensions (Units: mm)

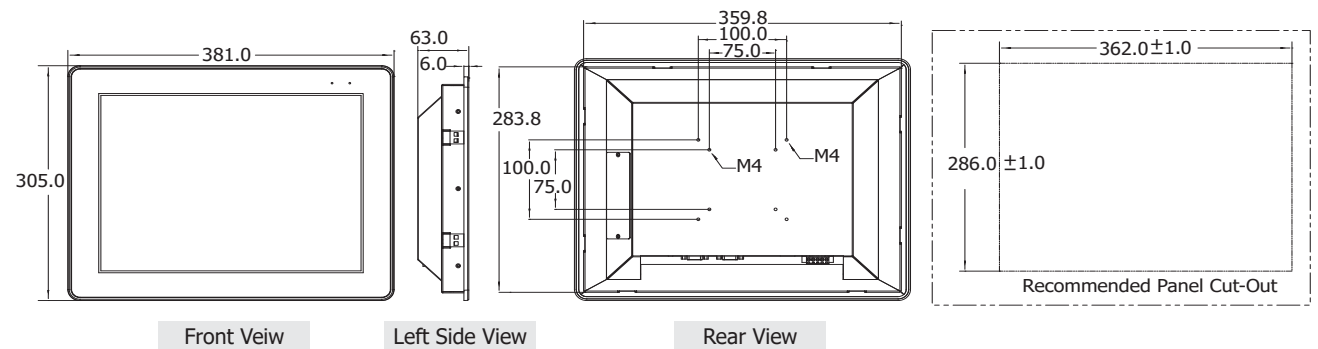
VP-4201-CE7



VP-5201-CE7



VP-6201-CE7



■ Ordering Information

VP-2201-CE7 CR	7" Standard ViewPAC with Cortex-A8 CPU and WinCE 7.0 (RoHS)
VP-3201-CE7 CR	8.4" Standard ViewPAC with Cortex-A8 CPU and WinCE 7.0 (RoHS)
VP-4201-CE7 CR	10.4" Standard ViewPAC with Cortex-A8 CPU and WinCE 7.0 (RoHS)
VP-5201-CE7 CR	12.1" Standard ViewPAC with Cortex-A8 CPU and WinCE 7.0 (RoHS)
VP-6201-CE7 CR	15" Standard ViewPAC with Cortex-A8 CPU and WinCE 7.0 (RoHS)