



XP-8031-CE6/XP-8131-CE6/XP-8331-CE6/XP-8731-CE6

Standard PAC with x86 CPU and WinCE 6.0

Features

- x86 CPU, 1.0 GHz, dual-core
- Windows CE 6.0
- 2 GB DDR3 and 32 GB Flash
- 16 KB EEPROM and 512 MB MRAM for data retention
- 64-bit Hardware Serial Number for Software Protection
- VGA Display Output
- 2 10/100/1000M Ethernet Ports
- Redundant Power Input
- Operating Temperature: -25 ~ +75 °C



Introduction

XP-8000-CE6 Series is the new generation Windows CE 6.0 based PACs of ICP DAS. It is equipped with a x86 CPU (1 GHz) dual-core, various connectivity (VGA, USB, Ethernet, RS-232/485) and 0/1/3/7 I/O slot(s) for high performance parallel I/O module(s) (high profile I-8K Series) and serial I/O modules (high profile I-87K series).

The benefits of running Windows CE 6.0 on XP-8x31-CE6 include hard real-time capability, small core size, fast boot speed, interrupt handling at a deeper level and achievable deterministic control. XPAC is also capable of running PC-based control software such as Visual Basic .NET, Visual C#,.... etc. It has all of the best features of both traditional PLCs and Windows capable PCs.

For software copy protection, programmers can design software based on the 64-bit hardware serial number for making software copy protected.

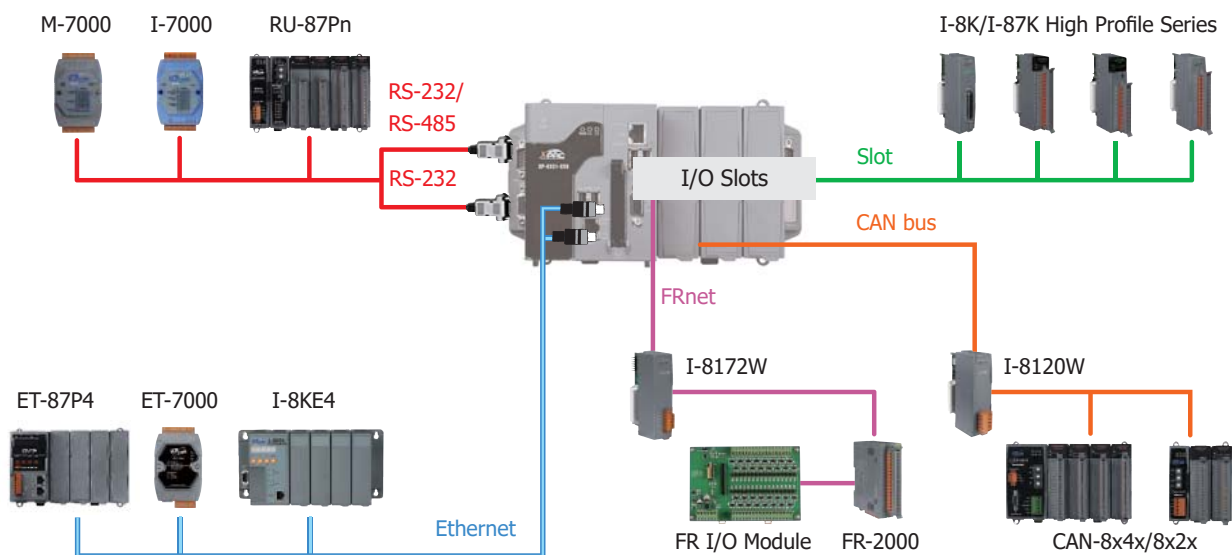
Windows CE 6.0

Windows CE 6 is a compact and real-time OS used to quickly create time critical and high performance applications. With Windows CE 6, users can use familiar tools (VS .NET 2005/2008) to develop software. Its kernel architecture supports significantly more simultaneously running processes, from 32 up to 32,000 simultaneous processes, each of which can run in a 2 GB virtual memory address space. This allows developers to incorporate larger numbers of more complex applications into the XP-8x31-CE6.



- FTP Server
- Web Server
- SQL Compact Edition 3.5
- .NET Compact Framework 3.5

Applications

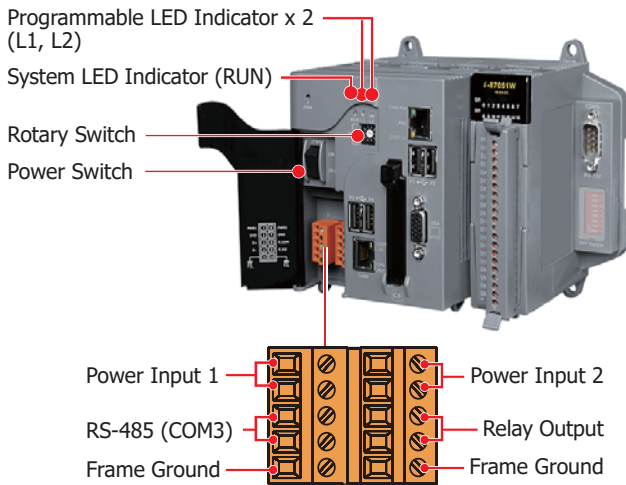


Specifications

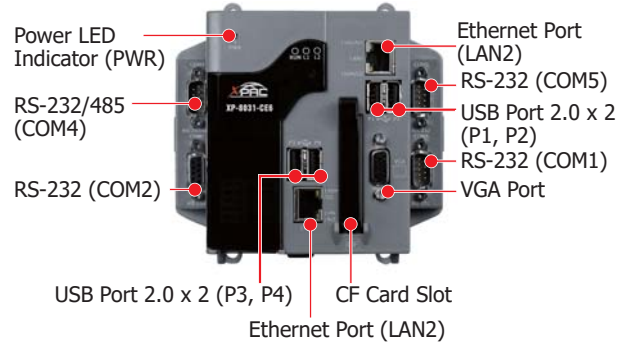
| Model | XP-8031-CE6 | XP-8131-CE6 | XP-8331-CE6 | XP-8731-CE6 |
|--------------------------------------|---|---|-----------------------|----------------------|
| Software | | | | |
| OS | Windows CE 6.0 | | | |
| Framework Support | .Net Compact Framework 3.5 | | | |
| Service | FTP Server, ASP (Java Script, VB Script), SQL Compact Edition 3.5 | | | |
| SDK | DII for eVC, DII for Visual Studio.Net 2005/2008 | | | |
| Multilanguage Support | English, German, French, Spanish, Portuguese, Russian, Italian, Korean, Japanese, Simplified Chinese, Traditional Chinese | | | |
| Main Unit | | | | |
| CPU | x86 CPU, 1 GHz, dual-core | | | |
| SDRAM | 2 GB DDR3 SDRAM | | | |
| MRAM | 512 KB | | | |
| Flash | 32 GB | | | |
| EEPROM | 16 KB | | | |
| Storage | 8 GB CF card (up to 32 GB) | | | |
| RTC (Real Time Clock) | Provide seconds, minutes, hours, day of week/month, month and year | | | |
| 64-bit Hardware Serial Number | Yes, for software copy protection | | | |
| Watchdog Timer | Dual Watchdog Timer | | | |
| Real Time Clock | Provide seconds, minutes, hours, dates, day of week, month, year | | | |
| Rotary Switch | 1 x 10 Position (0 ~ 9) | | | |
| DIP Switch | - | 8-bit for address | | |
| Display | | | | |
| VGA Resolution | 640 × 480, 800 × 480, 800 × 600, 1024 × 768 | | | |
| LED Indicator | 1 x System, 1 x Power, 2 x Programmable | | | |
| VGA & Communication Ports | | | | |
| VGA Resolution | 640 × 480, 800 × 480, 800 × 600, 1024 × 768 | | | |
| Ethernet | 2 x RJ-45 10/100/1000M Base-TX (Auto-negotiating, Auto MDI/MDI-X, LED indicators) | | | |
| USB 2.0 (host) | 4 | | | |
| COM1 | RS-232 (Rx/D, Tx/D and GND); non-isolated | Internal communication with the I-87K series modules in slots | | |
| COM2 | RS-232 (Rx/D, Tx/D and GND); non-isolated | | | |
| COM3 | RS-485 (Data+, Data-) with internal self-tuner ASIC; 3000 VDC isolated | | | |
| COM4 | RS-232/RS-485 (Rx/D, Tx/D, CTS, RTS, GND for RS-232, Data+, Data- for RS-485); non-isolated | | | |
| COM5 | RS-232 (Rx/D, Tx/D, CTS, RTS, DSR, DTR, CD, RI and GND); non-isolated | | | |
| I/O Expansion | | | | |
| I/O Expansion Slot | - | 1 | 3 | 7 |
| Mechanical | | | | |
| Dimension (W x L x H), unit: mm | 137 x 132 x 125 | 169 x 132 x 125 | 231 x 132 x 125 | 355 x 132 x 125 |
| Installation | DIN-Rail, Wall mounting | | | |
| Environmental | | | | |
| Operating Temperature | -25 ~ +75 °C | | | |
| Storage Temperature | -30 ~ +80 °C | | | |
| Humidity | 10 ~ 90 % RH, Non-condensing | | | |
| Power | | | | |
| Input Range | +10 ~ +30 VDC | | | |
| Isolation | 1 kV | | | |
| Redundant Power Input | Yes, with one power relay (1 A @ 24 VDC) for alarm | | | |
| Capacity | 20 W | 25 W | 30 W | 35 W |
| Consumption | 12 W (0.5 A@24 VDC) | 16.6 W (0.69 A@24 VDC) | 16.8 W (0.7 A@24 VDC) | 18 W (0.75 A@24 VDC) |

Appearance

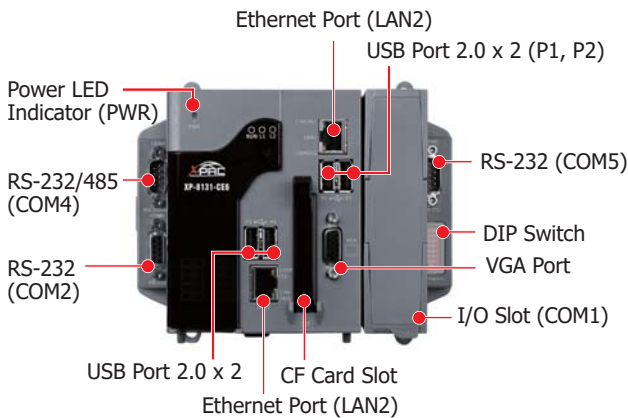
XP-8000-CE6



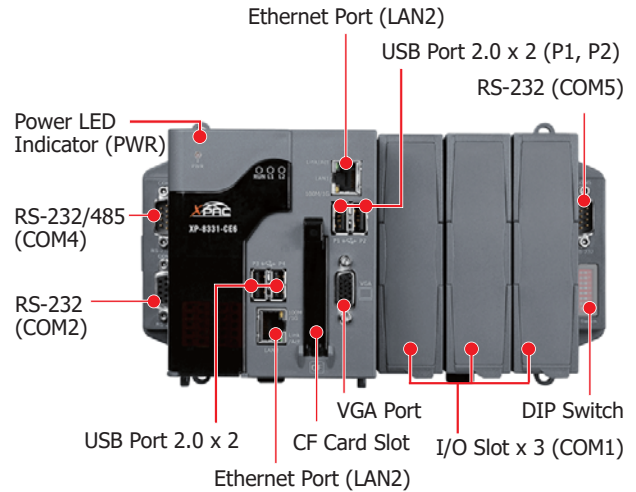
XP-8031-CE6



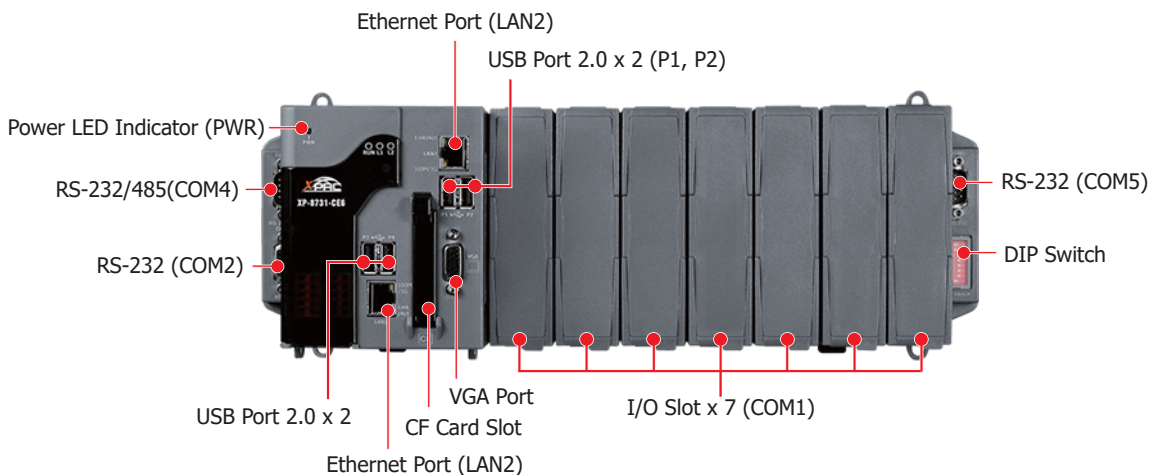
XP-8131-CE6



XP-8331-CE6

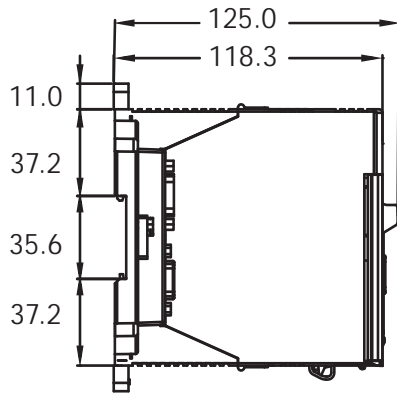


XP-8731-CE6



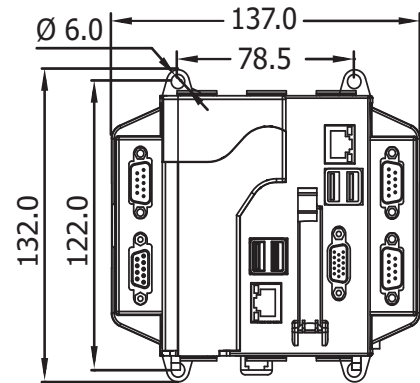
■ Dimensions (Units: mm)

XP-8000-CE6



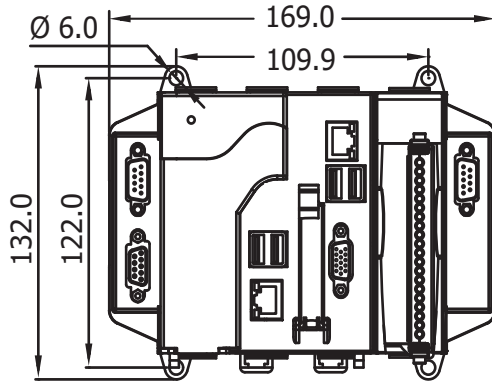
Left Side View

XP-8031-CE6



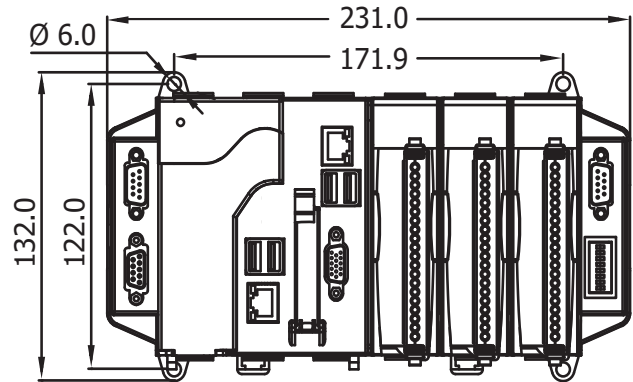
Front View

XP-8131-CE6



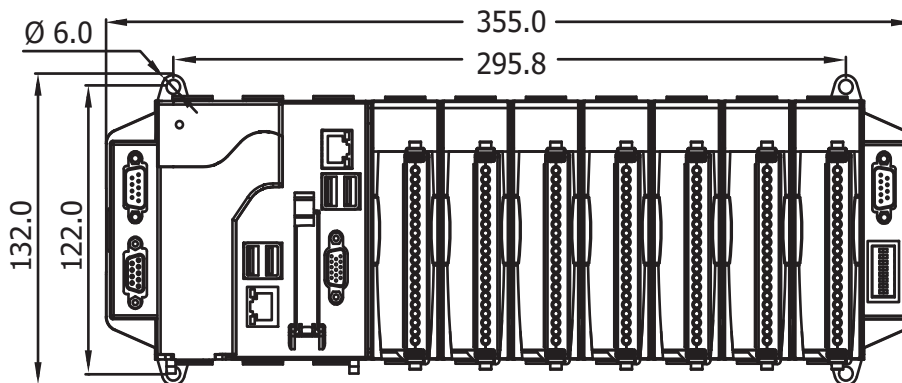
Front View

XP-8331-CE6



Front View

XP-8731-CE6



Front View

■ Ordering Information

| | |
|-----------------------|---|
| XP-8031-CE6 CR | Standard PAC with x86 CPU and WinCE 6.0 (RoHS) |
| XP-8131-CE6 CR | 1-slot Standard PAC with x86 CPU and WinCE 6.0 (RoHS) |
| XP-8331-CE6 CR | 3-slot Standard PAC with x86 CPU and WinCE 6.0 (RoHS) |
| XP-8731-CE6 CR | 7-slot Standard PAC with x86 CPU and WinCE 6.0 (RoHS) |