



## WP-2241MX-CE7

Standard PAC with Cortex-A8 CPU, WinCE 7.0, 1 I/O Bus, Metal Case

### Features

- Cortex-A8, 1.0 GHz
- Windows CE 7.0 Professional
- 512 MB SDRAM and 256 MB Flash
- 64-bit Hardware Serial Number
- Hard Real-Time Capability
- I/O Expansion Bus
- 10/100/1000M Dual Ethernet Ports
- 4 Serial Ports (RS-232/485)
- Operating Temperature: -25 to +75 ° C



### Introduction

The WP-2241MX-CE7 is equipped a Cortex-A8 CPU (1GHz) and running a windows CE 7.0 operating system. The optional I/O expansion board, XV-board, provides high-protection I/O. Using the built-in Flash and Micro\_SD, the WP-2241MX-CE7 can save application program, image file and data. The WP-2241MX-CE7 comes with a metal one.

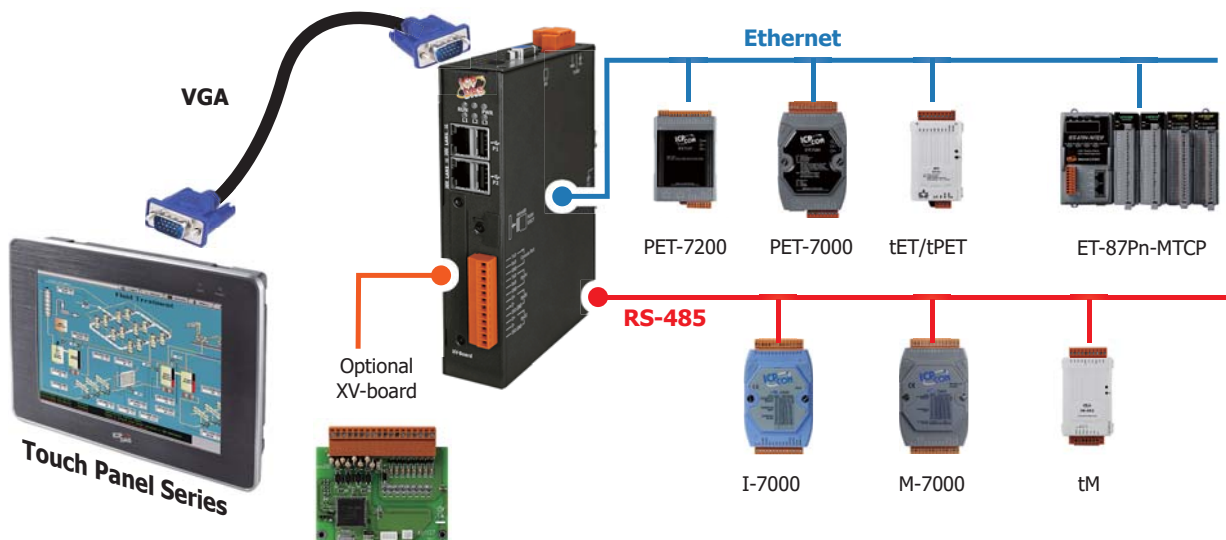
### Windows CE 7.0



Windows CE 7.0 is a compact and real-time OS used to quickly create time critical and high performance applications. Using Windows CE 7.0 gives an ability to run PC-based control software such as Visual Basic .NET, Virtual C#.

- FTP Server
- Web Server
- SQL Compact Edition 3.5
- .NET Compact Framework 3.5
- Virtual CE Pro (VCEP)

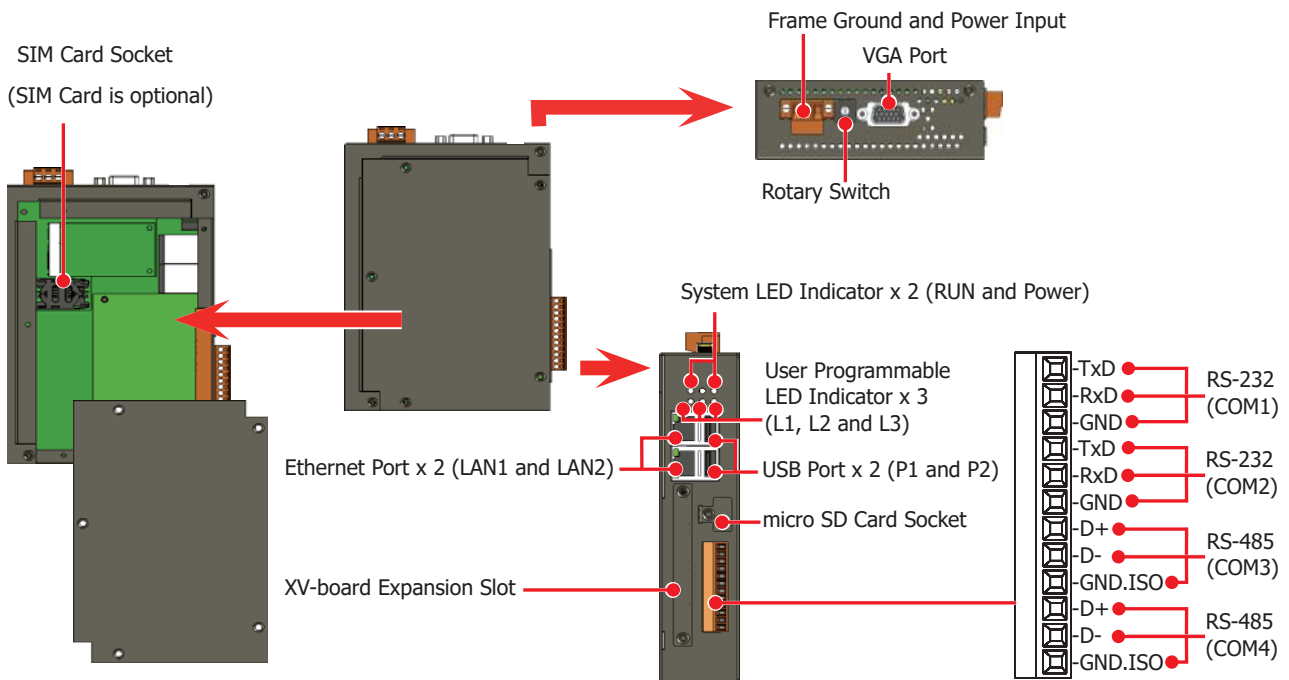
### Applications



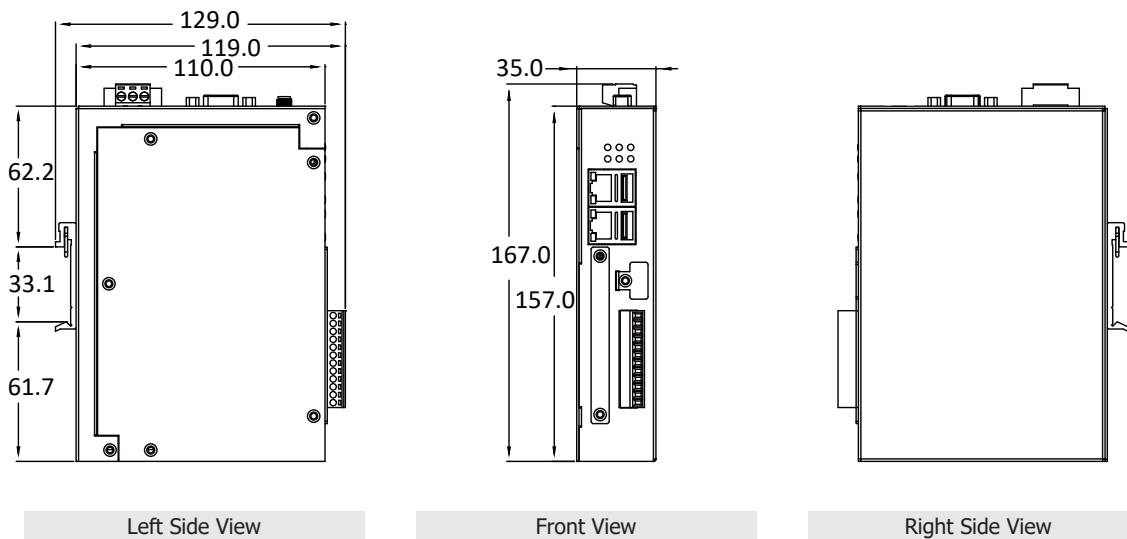
## Specifications

<b>Model</b>	<b>WP-2241MX-CE7</b>
<b>System Software</b>	
OS	Windows CE 7.0 Professional
Framework Support	3.5
Service	FTP Server, Web Server (Supports VB script, JAVA script), Embedded SQL Server
SDK	Dll for Visual Studio.Net 2008
Multilanguage Support	English, German, French, Spanish, Russian, Italian, Korean, Simplified Chinese, Traditional Chinese
<b>CPU Module</b>	
CPU	Cortex-A8, 1.0 GHz
SDRAM	512 MB DDR3
Flash	256 MB
FRAM	64 KB
Storage	4 GB microSD card (up to 32 GB)
RTC (Real Time Clock)	Provide seconds, minutes, hours, dates, day of week, month, year
64-bit Hardware Serial Number	Yes, for software copy protection
Watchdog Timer	Dual Watchdog Timer
Rotary Switch	1 x 10 Position (0 ~ 9)
Buzzer	Yes
<b>Display</b>	
VGA Resolution	640 × 480, 800 × 480, 800 × 600, 1024 × 768
LED Indicators	1 x System, 1 x Power, 3 x Programmable
<b>Communication Ports</b>	
Ethernet	2 x RJ-45, 10/100/1000 Based-TX (Auto-negotiating, Auto MDI/MDI-X, LED indicators)
USB 2.0 (host)	2
COM 1	RS-232 (RxD, TxD and GND); Non-isolated
COM 2	RS-232 (RxD, TxD and GND); Non-isolated
COM 3	RS-485 (Data+, Data-); 2500 VDC isolated
COM 4	RS-485 (Data+, Data-); 2500 VDC isolated
<b>I/O Expansion</b>	
I/O Expansion Bus	One optional XV-board
<b>Mechanical</b>	
Casing	Metal
Ingress Protection Rating	IP30 (Aluminum)
Dimensions (W x L x H)	35 mm x 167 mm x 119 mm
Installation	DIN-Rail Mounting
<b>Environmental</b>	
Operating Temperature	25 ~ +75 °C
Storage Temperature	-40 ~ +80 °C
Ambient Relative Humidity	10 ~ 90 % RH, Non-condensing
<b>Power</b>	
Input Range	+12 ~ 48 VDC
Consumption	4.8 W (0.2 A @ 24 VDC)

## Appearances



## Dimensions (Units: mm)



## Ordering Information

<b>WP-2241MX-CE7 CR</b>	Standard PAC with Cortex-A8 CPU, WinCE 7.0, and 1 I/O Bus, Metal Case (RoHS)
-------------------------	--

## Accessories

<b>XV-Board</b>	Add-on I/O Expansion Board
-----------------	----------------------------