



XP-9181-IoT/WP-9381-IoT/XP-9781-IoT

1/3/7-slot Metal Standard PAC with
E3845 CPU and Windows 10 IoT

Features

- Windows 10 IoT Enterprise (64-bit)
- Intel® Atom™ E3845 1.91 GHz
- 4 GB DDR3 SDRAM
- 64 GB SSD
- VGA / HDMI Display Output
- 2 10/100/1000M Ethernet Ports
- Audio with Microphone-In and Earphone-Out
- Redundant Power Input
- Operating Temperature: -25 ~ +60 °C



Introduction

The XP-9000-IoT are Windows 10 IoT Enterprise based PACs that combine computing, I/O, and operator interface into a single unit, and provide the perfect solution for integrating HMI, data acquisition and control in an individual PAC. It is equipped with an Intel E3827/E3845 CPU, 1/3/7 I/O expansion slots and a variety of connectives including dual Gigabit Ethernet, VGA, USB port, RS-232 and RS-485 interface. Local I/O slots are available to use our I-9K and I-97K series I/O modules and remote I/O expansions are available to use Ethernet I/O modules and RS-485 I/O modules.

Windows 10 IoT Enterprise runs on 64-bit x86 platform with support for both Universal Windows App and Classic Windows applications.

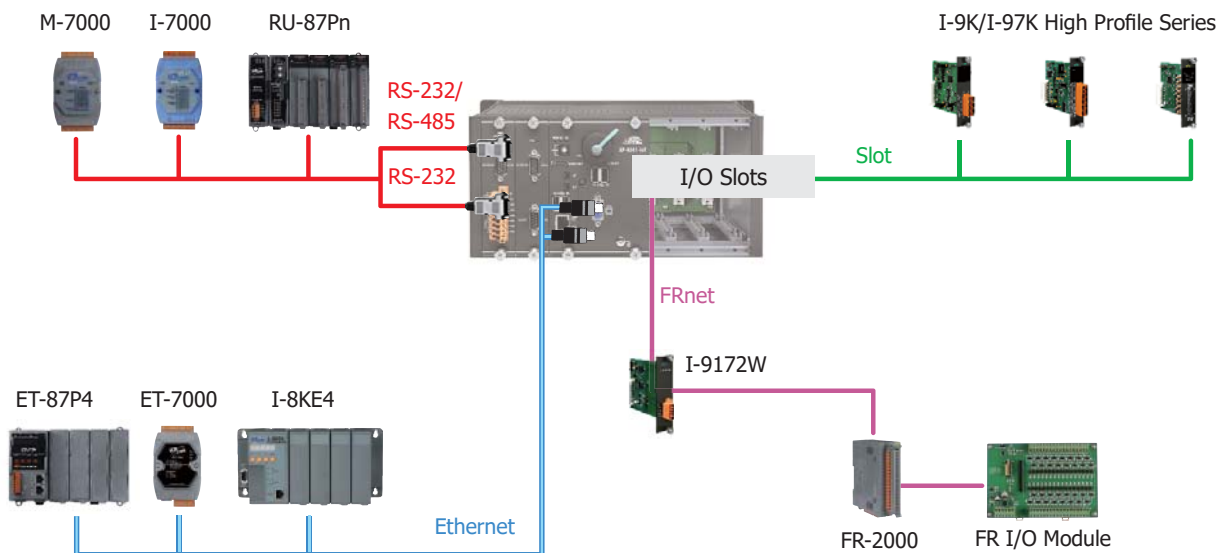
What is Windows 10 IoT?



Windows 10 IoT is a member of the Windows 10 family that brings enterprise-class power, security and manageability to the Internet of Things. It leverages Windows' embedded experience, ecosystem and cloud connectivity, allowing organizations to create their Internet of Things with secure devices that can be quickly provisioned, easily managed, and seamlessly connected to an overall cloud strategy.

- Traditional Windows Shell with Advanced Lockdown Features
- Full Windows UI support (e.g. UWP, WinForms, etc)

Applications

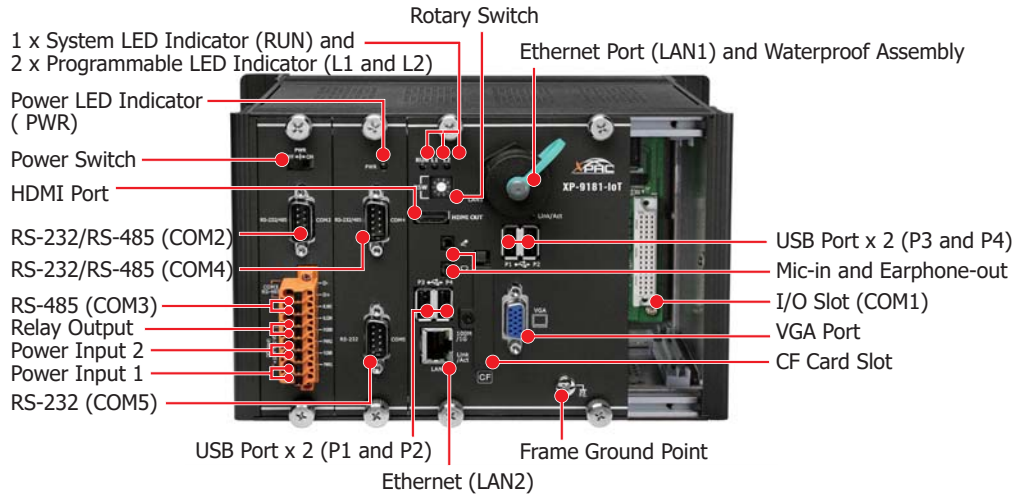


Specifications

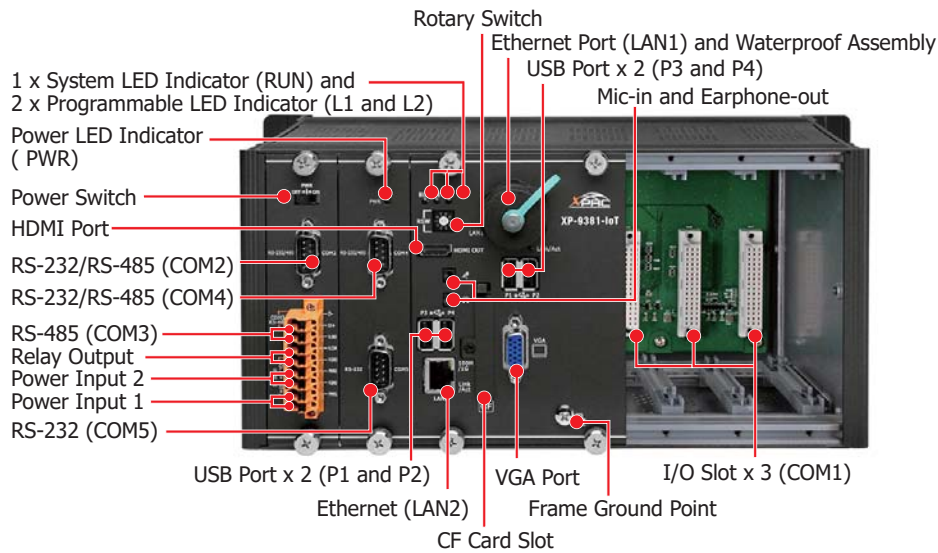
| Model | XP-9181-IoT | XP-9381-IoT | XP-9781-IoT |
|-------------------------------|---|---|---|
| Software | | | |
| OS | Windows 10 IoT Enterprise (64-bit) | | |
| Framework Support | .Net Framework 3.5 ~ 4.8 | | |
| Service | IE11, FTP Server, IIS 7.0, ASP (Java Script, VB Script) | | |
| SDK Provided | DII for VC, DII for Visual Studio.Net | | |
| Multilanguage Support | English, German, French, Spanish, Portuguese, Russian, Italian, Korean, Japanese, Simplified Chinese, Traditional Chinese | | |
| Main Unit | | | |
| CPU | E3845, 1.91 GHz, 64-bit quad core | | |
| System Memory | 4 GB DDR3 | | |
| MRAM | 128 KB | | |
| Flash | mSATA slot with one 64 GB SSD | | |
| EEPROM | 16 KB | | |
| Storage | 32 GB CF card (support up to 32 GB) | | |
| RTC (Real Time Clock) | Provide seconds, minutes, hours, day of week/month, month and year | | |
| 64-bit Hardware Serial Number | Yes, for software copy protection | | |
| Watchdog Timer | Dual Watchdog Timer | | |
| Power Switch | Yes | | |
| Rotary Switch | 1 x 10 Position (0 ~ 9) | | |
| Audio | Mic-in and Earphone-out | | |
| Buzzer | Yes | | |
| Display | | | |
| VGA Resolution | 1280 x 1024 ~ 1920 x 1080 (16 : 9), 640 x 480 ~ 1024 x 768 (4 : 3) | | |
| HDMI Resolution | 1280 x 1024 ~ 1920 x 1080 (16 : 9), 640 x 480 ~ 1024 x 768 (4 : 3) | | |
| LED Indicator | 1 x System, 2 x Power and 2 x Programmable | | |
| Communication Ports | | | |
| Ethernet | 2 x RJ-45 10/100/1000M Base-TX (Auto-negotiating, Auto MDI/MDI-X, LED indicators) | | |
| USB 2.0 | 4 | | |
| COM1 | Internal communication with the I-97K series modules in slots | | |
| COM2 | RS-232/485 (Rx/D, Tx/D and GND for RS-232; Data+, Data- for RS-485); 3000 VDC isolated | | |
| COM3 | RS-485 (Data+, Data-); 3000 VDC isolated | | |
| COM4 | RS-232/485 (Rx/D, Tx/D, CTS, RTS and GND for RS-232; Data+, Data- for RS-485); 3000 VDC isolated | | |
| COM5 | RS-232 (Rx/D, Tx/D, CTS, RTS, DSR, DTR, CD, RI and GND); 3000 VDC isolated | | |
| I/O Expansion | | | |
| I/O Type | I-9K, I-97K series | | |
| Slots | 1 | 3 | 7 |
| Mechanical | | | |
| Dimension (W x L x H) | 239 mm x 164 mm x 133 mm | 300 mm x 164 mm x 133 mm | 422 mm x 164 mm x 133 mm |
| Installation | DIN-Rail, Wall mounting | | |
| Environmental | | | |
| Operating Temperature | -25 ~ +60 °C | | |
| Storage Temperature | -30 ~ +80 °C | | |
| Humidity | 10 ~ 90 % RH (non-condensing) | | |
| Power | | | |
| Input Range | +10 ~ 30 VDC (1 kV Isolated) | | |
| Redundant Power Inputs | Yes, with one power relay (1 A @ 24 VDC) for alarm | | |
| Capacity | 4.1 A, 5 V supply to CPU and backplane, 2.5 A, 5 V supply to I/O expansion slots, 33 W in total | 4.2 A, 5 V supply to CPU and backplane, 2.4 A, 5 V supply to I/O expansion slots, 33 W in total | 4.4 A, 5 V supply to CPU and backplane, 2.2 A, 5 V supply to I/O expansion slots, 33 W in total |
| Consumption | 18.5 W (0.77 A @ 24 VDC) | 18.7 W (0.78 A @ 24 VDC) | 20.4 W (0.85 A @ 24 VDC) |

Appearance

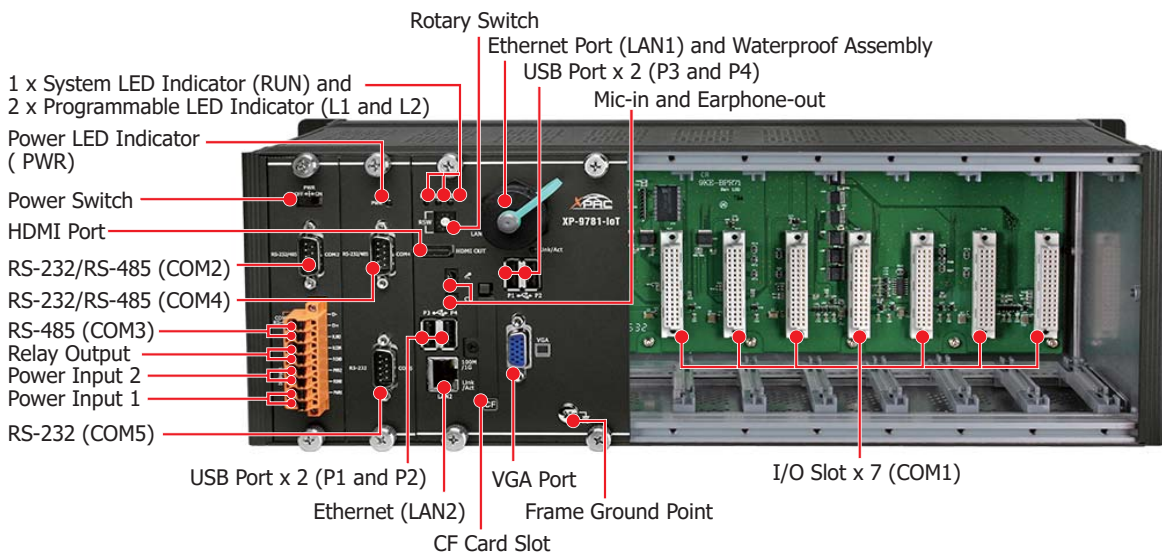
XP-9181-IoT



XP-9381-IoT

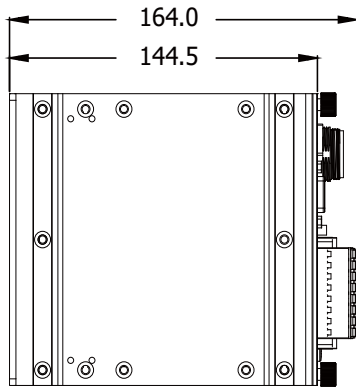


XP-9781-IoT



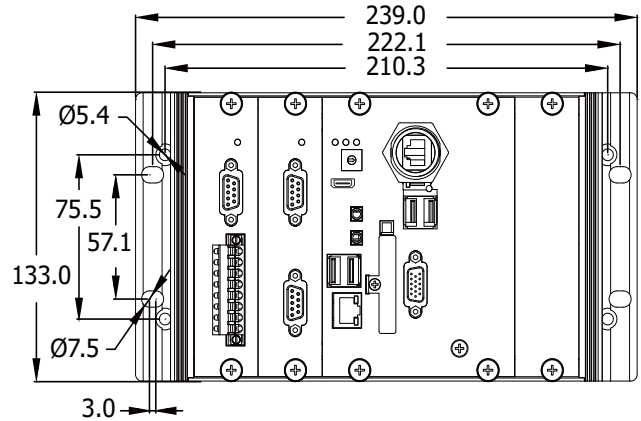
■ Dimensions (Units: mm)

XP-9181-IoT/XP-9381-IoT/XP-9781-IoT



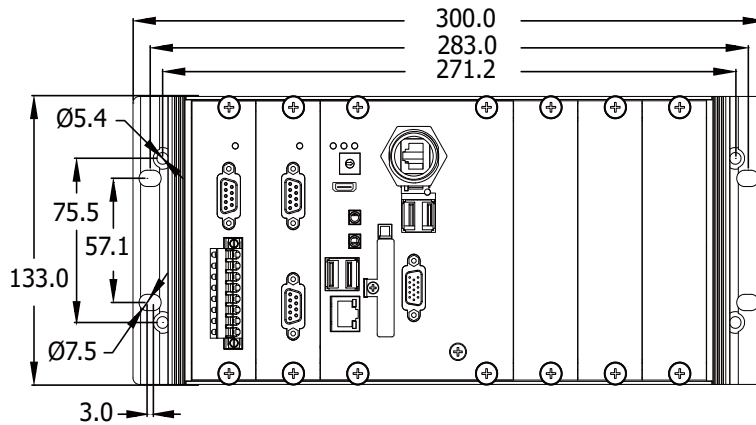
Left Side View

XP-9181-IoT



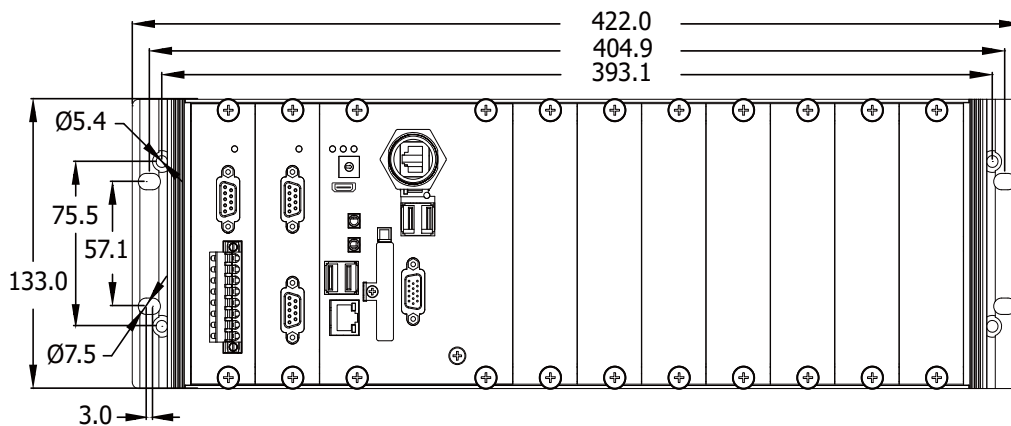
Front View

XP-9381-IoT



Front View

XP-9781-IoT



Front View

■ Ordering Information

| | |
|-----------------------|--|
| XP-9181-IoT CR | 1-slot Metal Standard PAC with E3845 CPU and Windows 10 IoT (RoHS) |
| XP-9381-IoT CR | 3-slot Metal Standard PAC with E3845 CPU and Windows 10 IoT (RoHS) |
| XP-9781-IoT CR | 7-slot Metal Standard PAC with E3845 CPU and Windows 10 IoT (RoHS) |