

Revision information for D80_nnn.exe firmware

Model	Interface	SRAM required	CPU speed	Version
iP-8411,iP-8811	RS-232/RS-485	512K bytes	80MHz	D5.xx

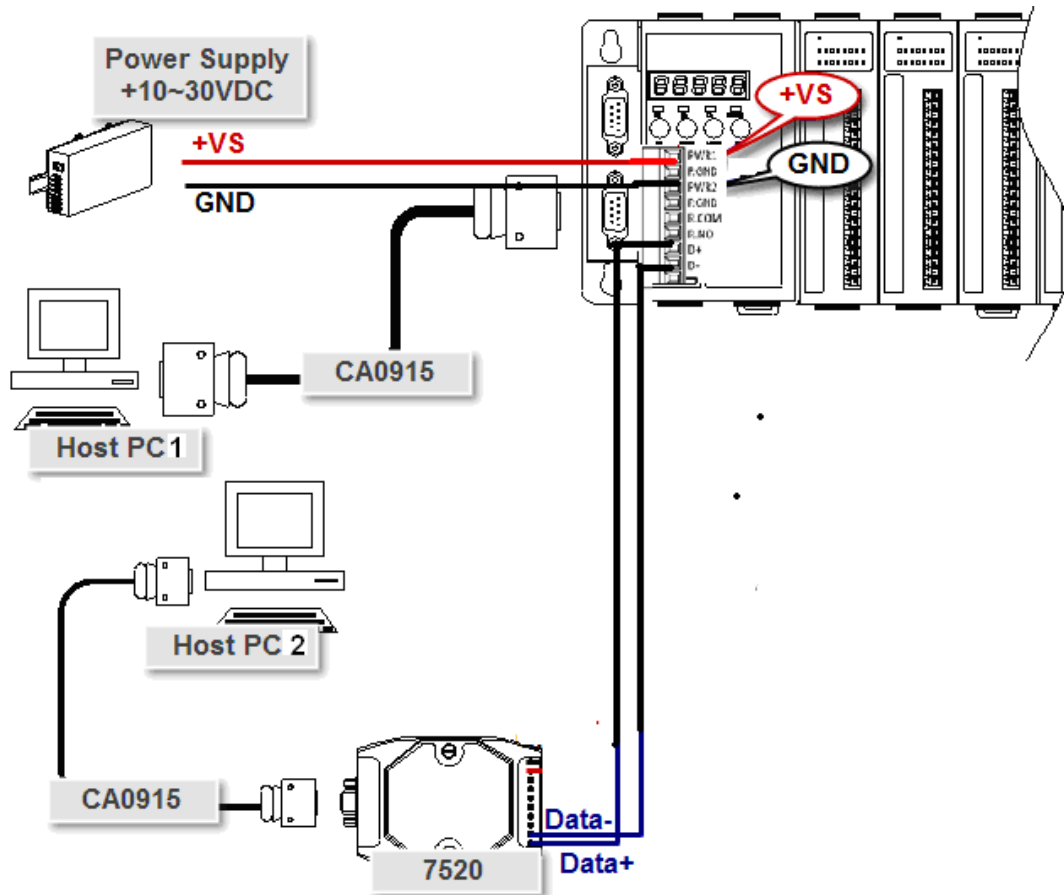
Last update:

D5.04[2014-Dec-11] by Martin

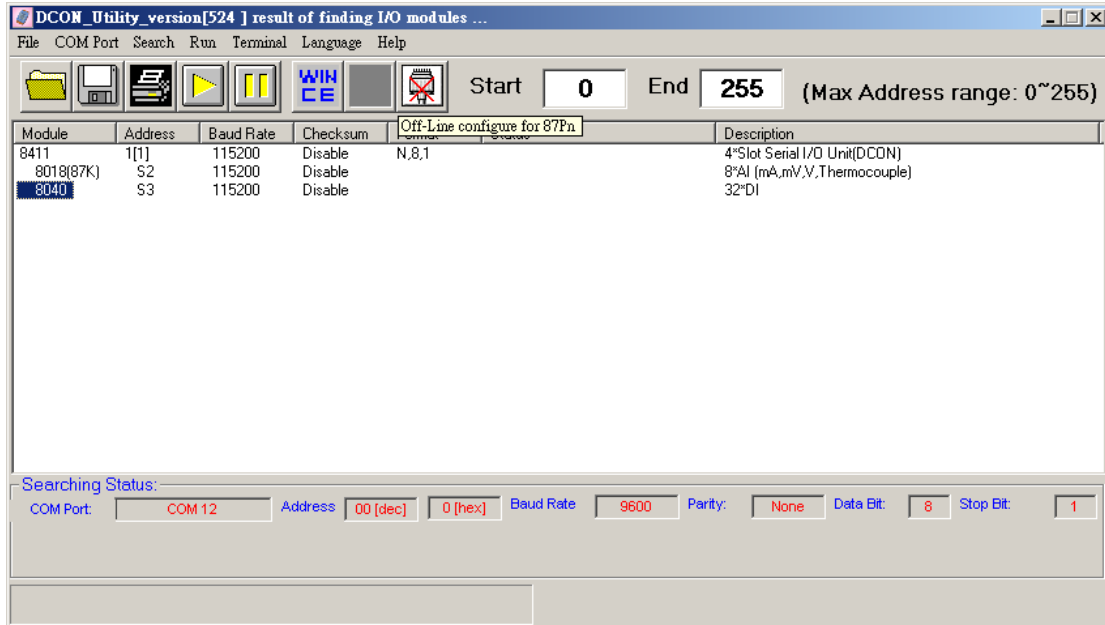
New support:

In the same time, users can configuration backplane modules via iP-8411/iP-8811 COM1/COM2/COM3/COM4 for single or multi Host PC

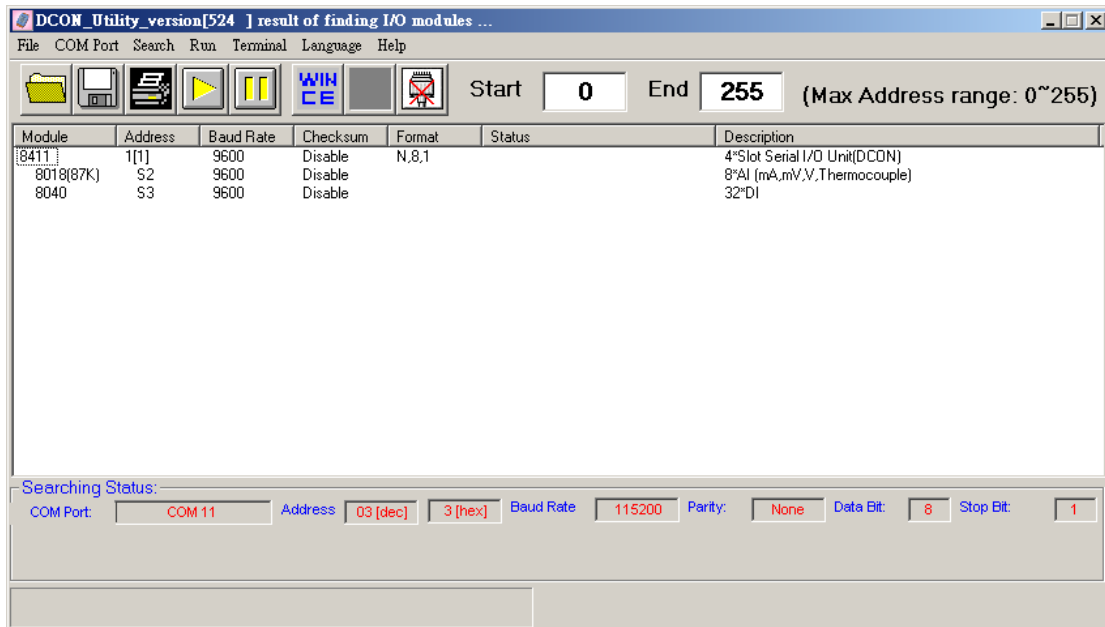
For example: Host PC1 can configure backplane I/O via iP-8411 COM1 and Host PC2 also via iP-8441 COM2 in the same time.



Host PC1 can configure backplane I/O via iP-8411 COM1



Host PC2 also can configure backplane I/O via iP-8411 COM2 in the same time.



DCON firmware all versions of iP-8000 COM Ports for configuration backplane I/O module

	COM1	COM2	COM3	COM4	Use all COM in the same time
Version 504 or later	OK	OK	OK	OK	OK
Previous version	OK	OK	NO	NO	NO

Modifications:

None

Bug Fixes:

Fixed the bug that I-8015 (I-87015) , I-8018 (I-87018) and I-8019 (I-87019) can't set as hex data format

DCON Utility:

Must be version 5.2.4 or later

OS image:

Must be version C837_2M_UDP-20090603.img or later

About support module list , please refer below:

[I-8K high profile modules inserted in iPAC-8000 system](#)

[I-87K high profile modules inserted in iPAC-8000 system](#)

All revision Information:

D5.04[2014-Dec-11] by Martin 1
D4.39[2011-Dec-20] by Martin5
D4.37[2011-Nov-11] by Martin.....6
D4.35[2010-Feb-10] by Martin7
D4.22[2008-Nov-05] by Martin.....8
Support module list:9
 I-8K high profile modules inserted in iPAC-8000 system.....9
 I-87K high profile modules inserted in iPAC-8000 system..... 11

D4.39[2011-Dec-20] by Martin

New support:

1. I-8017HCW
2. I-8017DW

Note: DCON Utility must be V522 to support I-8017HCW (display as 8017C) and I-8017DW (display as 8017D)

Modifications:

None

Bug Fixes:

1. Can not configure I-87015P
2. When analog input module get response data as ">-0000", DCON firmware does not response data correctly.
3. Update I-8084W.lib for E100M_nnn.exe and D80_nnn.exe, can not clear counter correctly when Counter mode is Up/Down, Dir/Pulse, A/B phase.
4. When I-87024 set type code as 4~20 mA, the 7-Segment LED will show "dErr + slot index" error

DCON Utility:

Must be version 5.2.2 or later

OS image:

Must be version C837_2M_UDP-20090603.img or later

About support module list , please refer below:

[I-8K high profile modules inserted in iPAC-8000 system](#)

[I-87K high profile modules inserted in iPAC-8000 system](#)

D4.37[2011-Nov-11] by Martin

New support:

None

Modifications:

None

Bug Fixes:

1. Can not configure I-87015P
2. When analog input module get reponse data as ">-0000", DCON firmware does not reponse data correctly.
3. Update 8084W.lib for E100M_nnn.exe and D80_nnn.exe, can not clear counter correctly when Counter mode is Up/Down, Dir/Pulse, A/B phase.

DCON Utility:

Must be version 5.1.7 or later

OS image:

Must be version C837_2M_UDP-20090603.img or later

About support module list , please refer below:

[I-8K high profile modules inserted in iPAC-8000 system](#)

[I-87K high profile modules inserted in iPAC-8000 system](#)

D4.35[2010-Feb-10] by Martin

New support:

I-8088W,I-8093W, I-8084W

Modifications:

None

Bug Fixes:

None

DCON Utility:

Must be version 5.1.7 or later

OS image:

Must be version C837_2M_UDP-20090603.img or later

About support module list , please refer below:

[I-8K high profile modules inserted in iPAC-8000 system](#)

[I-87K high profile modules inserted in iPAC-8000 system](#)

D4.22[2008-Nov-05] by Martin

First release

Support module list:

I-8K high profile modules inserted in iPAC-8000 system

Module ID	DCON Utility Version	DCON Firmware version	Date
8017HW	5.1.2	A4.22	05-Nov-2008
8017DW	5.2.2	D4.39	20-Dec-2011
8017HCW	5.2.2	D4.39	20-Dec-2011
8024W	5.1.2	A4.22	05-Nov-2008
8037W	5.1.2	A4.22	05-Nov-2008
8040W	5.1.2	A4.22	05-Nov-2008
8041W	5.1.2	A4.22	05-Nov-2008
8042W	5.1.2	A4.22	05-Nov-2008
8050W	5.1.2	A4.22	05-Nov-2008
8051W	5.1.2	A4.22	05-Nov-2008
8052W	5.1.2	A4.22	05-Nov-2008
8053W	5.1.2	A4.22	05-Nov-2008
8053PW	5.1.2	A4.22	05-Nov-2008
8054W	5.1.2	A4.22	05-Nov-2008
8055W	5.1.2	A4.22	05-Nov-2008
8056W	5.1.2	A4.22	05-Nov-2008
8057W	5.1.2	A4.22	05-Nov-2008
8058W	5.1.2	A4.22	05-Nov-2008
8060W	5.1.2	A4.22	05-Nov-2008
8063W	5.1.2	A4.22	05-Nov-2008
8064W	5.1.2	A4.22	05-Nov-2008
8065W	5.1.2	A4.22	05-Nov-2008
8066W	5.1.2	A4.22	05-Nov-2008
8068W	5.1.2	A4.22	05-Nov-2008
8069W	5.1.2	A4.22	05-Nov-2008
8077W	5.1.2	A4.22	05-Nov-2008
8082W	5.1.2	A4.22	05-Nov-2008
8084W	5.1.7	D4.35	03-Feb-2010

8088W	5.1.7	D4.35	03-Feb-2010
8093W	5.1.7	D4.35	03-Feb-2010
8112W	5.1.2	A4.22	05-Nov-2008
8114W	5.1.2	A4.22	05-Nov-2008
8142W	5.1.2	A4.22	05-Nov-2008
8144W	5.1.2	A4.22	05-Nov-2008

I-87K high profile modules inserted in iPAC-8000 system

Module ID	DCON Utility Version	DCON Firmware version	Date
87005W	-	-	-
87013W	5.1.2	A4.22	05-Nov-2008
87015W	5.1.2	A4.22	05-Nov-2008
87015T (ODM)	5.1.2	A4.22	05-Nov-2008
87016W	-	-	-
87017W	5.1.2	A4.22	05-Nov-2008
8017MLW	5.1.2	A4.22	05-Nov-2008
8017RCW	5.1.2	A4.22	05-Nov-2008
87018W	5.1.2	A4.22	05-Nov-2008
87018RW	5.1.2	A4.22	05-Nov-2008
87018ZW	5.1.2	A4.22	05-Nov-2008
87019W	5.1.2	A4.22	05-Nov-2008
87022W	5.1.2	A4.22	05-Nov-2008
87024W	5.1.2	A4.22	05-Nov-2008
87026W	5.1.2	A4.22	05-Nov-2008
87028CW	5.1.7	D4.35	03-Feb-2010
87040W	5.1.2	A4.22	05-Nov-2008
87041W	5.1.2	A4.22	05-Nov-2008
87051W	5.1.2	A4.22	05-Nov-2008
80752W	5.1.2	A4.22	05-Nov-2008
87053W	5.1.2	A4.22	05-Nov-2008
87053W-E5	5.1.2	A4.22	05-Nov-2008
87054W	5.1.2	A4.22	05-Nov-2008
87055W	5.1.2	A4.22	05-Nov-2008
87057W	5.1.2	A4.22	05-Nov-2008
87058W	5.1.2	A4.22	05-Nov-2008
87061W	5.1.7	D4.35	03-Feb-2010
87063W	5.1.2	A4.22	05-Nov-2008
87064W	5.1.2	A4.22	05-Nov-2008
87065W	5.1.2	A4.22	05-Nov-2008

