



## I-7188XB(D)-512

Standard Palm-sized Ethernet PAC with 80188-40 CPU, MiniOS7, 512 KB SRAM, 1 DI, 1 DO and 1 I/O Bus (7-Segment LED Display)

### Features

- Built-in High-Performance MiniOS7 from ICP DAS
- Easy-to-use Software Development Tool Kits (Using C language)
- Various Storage Media
  - 512 KB Flash
  - 2 KB EEPROM
- Various Communication Interfaces (RS-232/RS485)
- Built-in Digital Input/Output
  - 1-ch Digital Input
  - 1-ch Digital Output
- Built-in Watchdog Timer

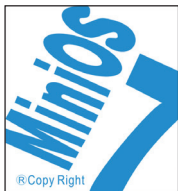


### Introduction

The I-7188XB(D)-512 is for industry applications and can be used to replace PC or PLC devices in harsh environments. The I-7188XB(D)-512 controller is designed for palm-size embedded systems that require high reliability, PC-compatibility, and compactness at a reasonable price. The controllers can be integrated into an OEM product as a processor core component. By building your product around I-7188XB(D)-512 controller, you reduce the time from design to market introduction, cut development costs, minimize technical risks, and deliver a more reliable product.

Depending on the type of embedded firmware programs that are being developed, and which I/O Expansion Board, the I-7188XB(D)-512 can be used as a single versatile controller.

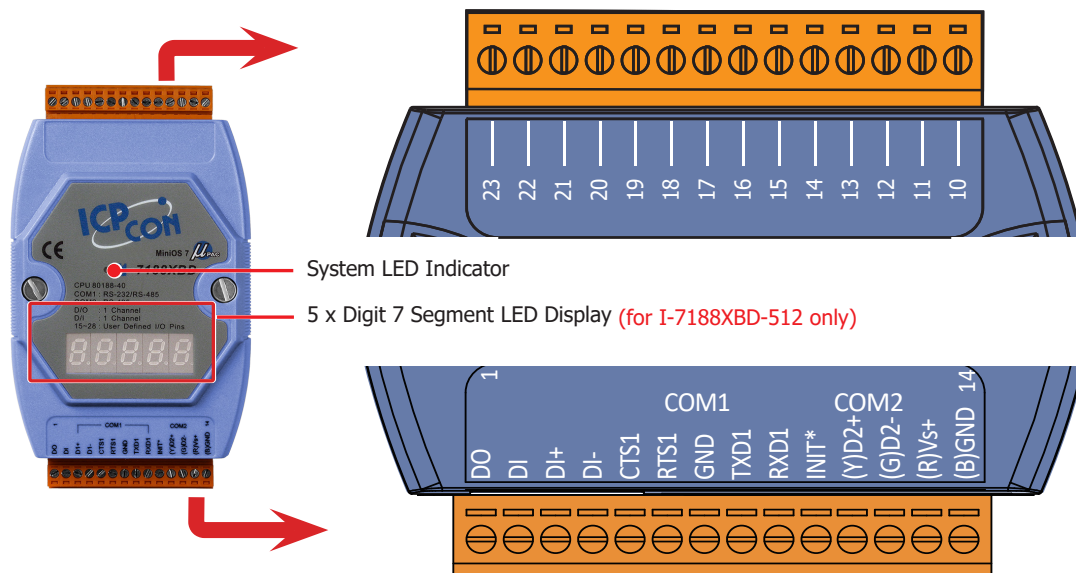
### Powerful Embedded OS — MiniOS7



MiniOS7 is the most stable OS used in the last decade. Up to now, several hundred thousand copies with our PACs have been distributed worldwide.

- DOS-like embedded OS
- Antivirus ability
- Internet connectivity
- Libraries & demo programs for various peripherals, devices and remote I/O modules
- Short boot period (<1 Second)
- Less memory resource required
- Faster watchdog response time

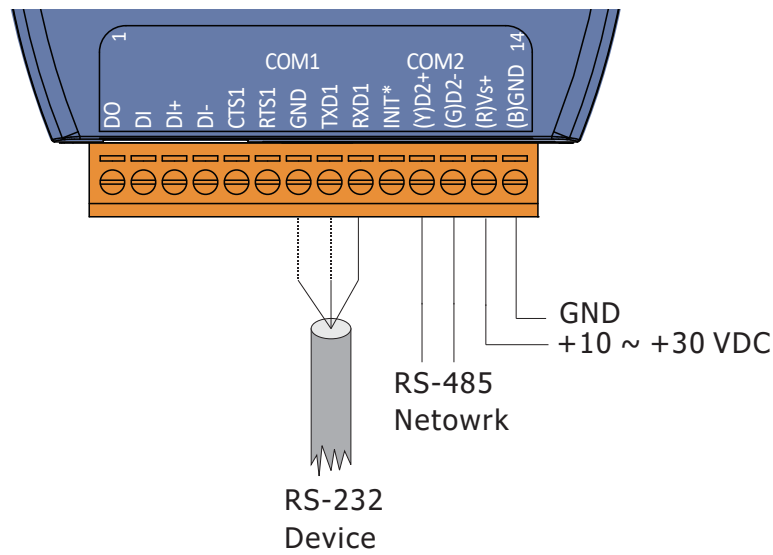
### Appearances



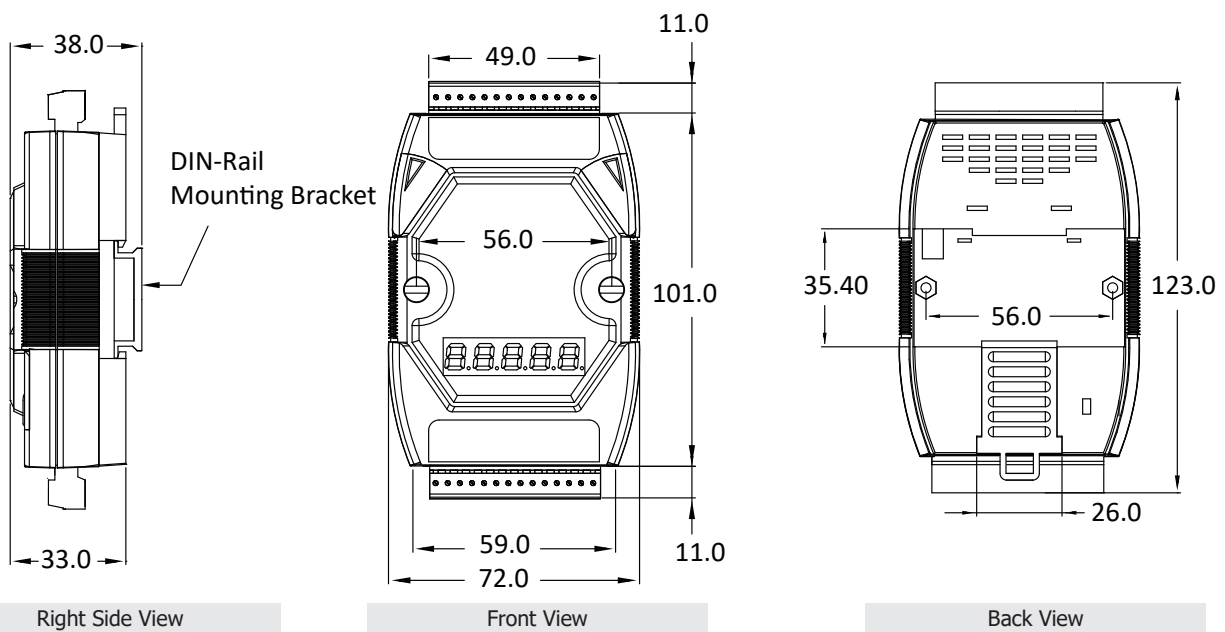
## Specifications

Model	I-7188XB-512	I-7188XBD-512
<b>Software</b>		
OS	MiniOS7	
Development	C Language	
<b>CPU Module</b>		
CPU	80188, 40 MHz or compatible	
SRAM	512 KB	
Flash	512 KB	
EEPROM	2 KB	
NVRAM	31 Bytes	
RTC (Real Time Clock)	Provide seconds, minutes, hours, dates, day of week, month, year	
64-bit Hardware Serial Number	Yes	
Watchdog Timer	Yes	
<b>Display</b>		
Type	-	5 x Digit 7 Segment LED Display
<b>LED Indicator</b>		
Status	1 x System	
<b>Communication Port</b>		
Baud Rate	115200 bps Max.	
COM1	RS-232/RS-485 (RXD, TXD, RTS, CTS, GND for RS-232, Data+, Data- for RS-485 with self-tuner ASIC)	
COM2	RS-485 (Data+, Data-) with internal self-tuner ASIC	
<b>I/O Expansion</b>		
I/O Type	X-board	
<b>Digital Input</b>		
Channels	1	
Dry Contact, ON Voltage Level	Close to GND	
Dry Contact, OFF Voltage Level	Open	
<b>Digital Output</b>		
Channels	1	
Type	Open Collector	
Load Voltage	+30 VDC Max.	
Max. Load Current	100 mA	
<b>Mechanical</b>		
Dimension (W x H x D)	72 mm x 123 mm x 33 mm	
Installation	DIN-Rail Mounting	
<b>Environmental</b>		
Operating Temperature	-25 ~ +75 °C	
Storage Temperature	-40 ~ +80 °C	
Humidity	5 ~ 90 % RH, Non-condensing	
<b>Power</b>		
Input Range	+10 ~ +30 VDC	
Consumption	2.0 W	3.0 W

## Wiring Connections



## Dimensions (Units: mm)



## Ordering Information

<b>I-7188XB-512 CR</b>	Standard Palm-sized Ethernet PAC with 80188-40 CPU, MiniOS7, 512 KB SRAM, 2 Serial Ports, 1 DI, 1 DO and 1 I/O Bus (Blue Cover) (RoHS)
<b>I-7188XB-512-G CR</b>	Standard Palm-sized Ethernet PAC with 80188-40 CPU, MiniOS7, 512 KB SRAM, 2 Serial Ports, 1 DI, 1 DO and 1 I/O Bus (Gray Cover) (RoHS)
<b>I-7188XBD-512 CR</b>	Standard Palm-sized Ethernet PAC with 80188-40 CPU, MiniOS7, 512 KB SRAM, 2 Serial Ports, 1 DI, 1 DO and 1 I/O Bus and 7-Segment LED Display (Blue Cover) (RoHS)

## Accessories

<b>X-Board</b>	Add-on I/O Expansion Board
----------------	----------------------------