



LP-2241MX

Linux Based PAC with Cortex-A8 CPU, 2 LAN Ports and optional communication module. Metal Case.

Features

- Cortex-A8, 1 GHz CPU
- Linux kernel 3.2.14 Inside
- 512 MB SDRAM and 8 GB Flash
- 64-bit Hardware Serial Number
- I/O Expansion Bus (for XV-board)
- 10/100/1000M Ethernet Port
- 4 Serial Ports (RS-232/485)
- 4G Modem (optional)

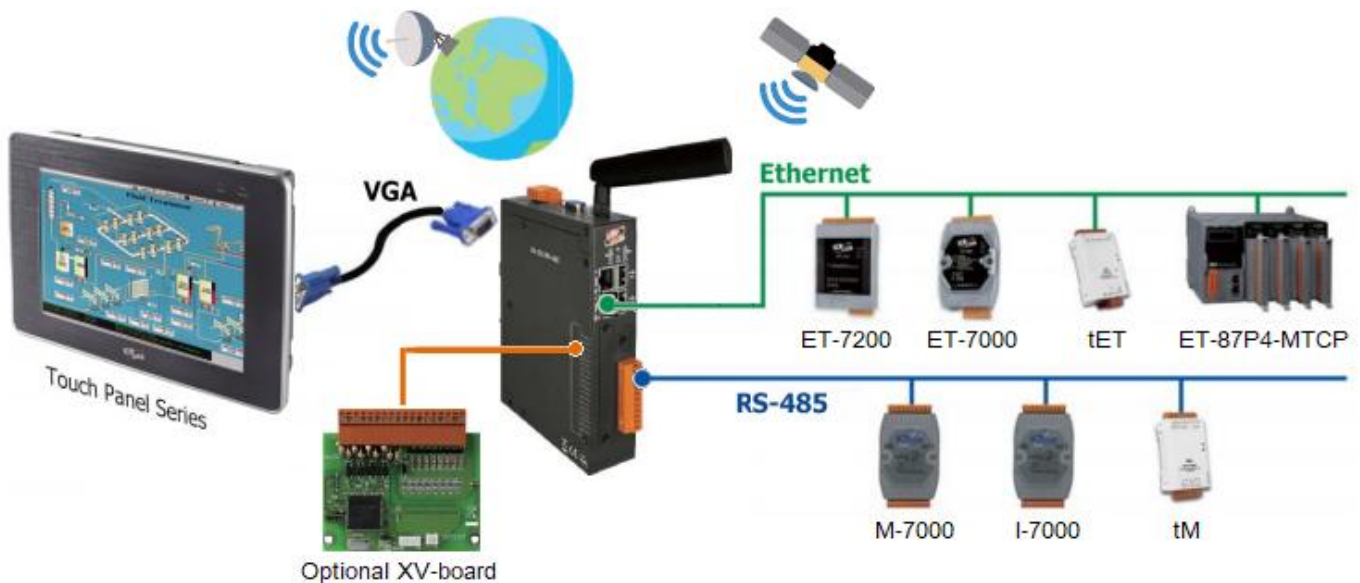


Introduction

The LP-2241MX is equipped a Cortex-A8 CPU (1 GHz) and using Linux operating system (Linux Kernel 3.2.14). Linux Kernel 3.2.14 is a compact and real-time OS used to quickly create time critical and high performance applications.

Main advantage of the LP-2241MX is its high quality control system, including its stability, small core size, optional I/O expansion board, wirelessly transmit data, support for Web services (Web/SFTP/SSH server). LP-2241MX can be used in various application fields to transfer data over 3G, 4G, GPRS, SMS, Ethernet or serial bus through its optional 4G communication module.

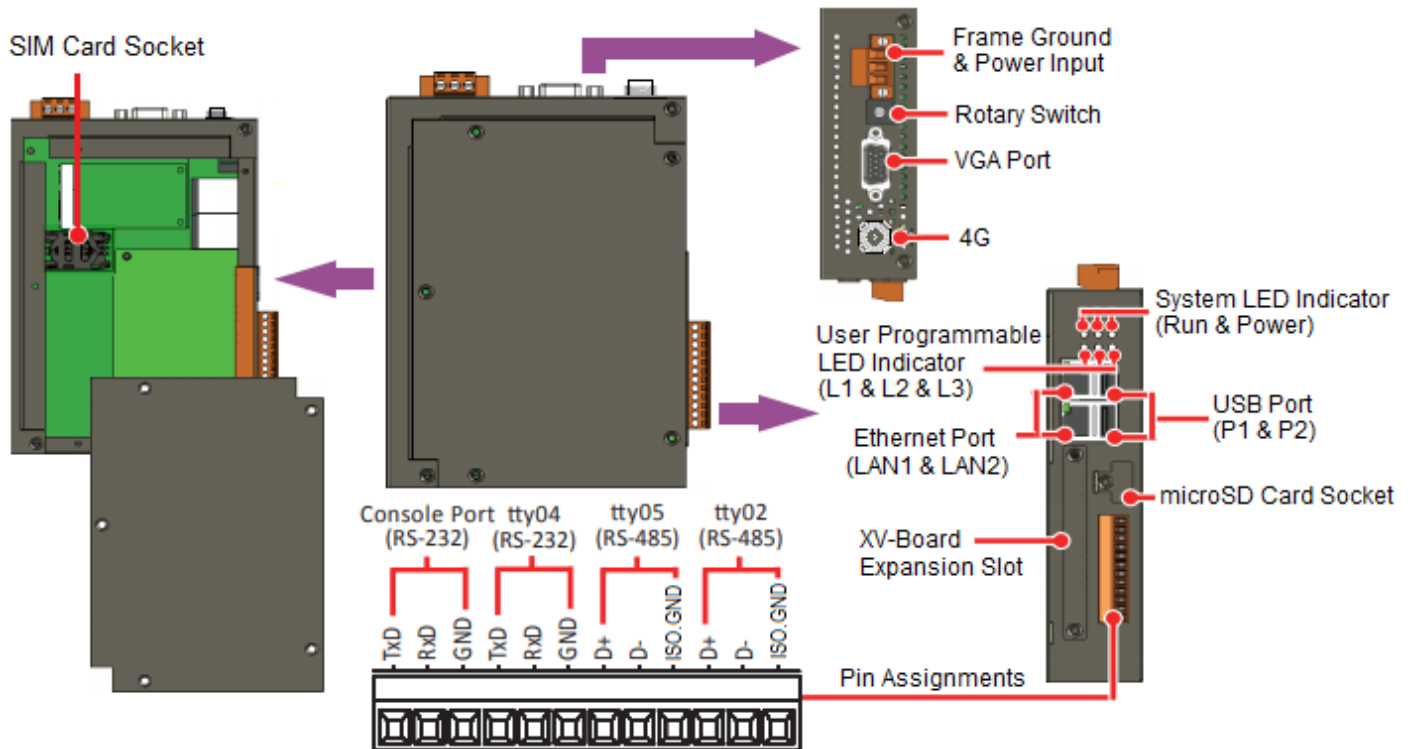
Applications



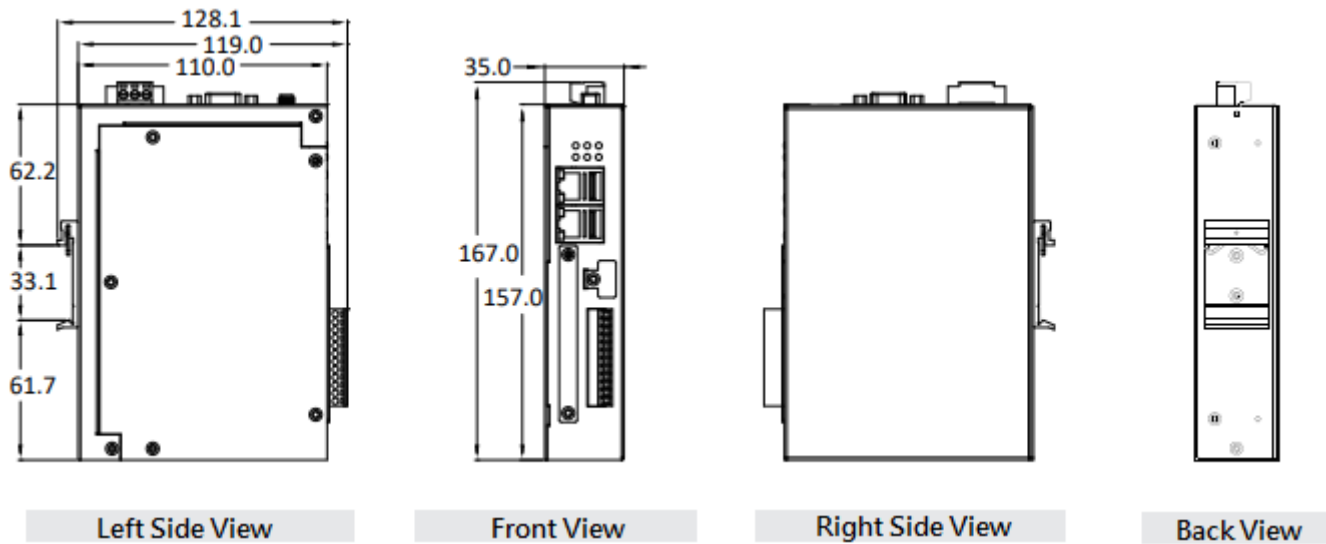
■ Specifications

Model	LP-2241MX
System Software	
OS	Linux Kernel 3.2.14
Service	SFTP server, Web server, SSH
SDK	LinPAC SDK (GCC based toolchain and LinPAC Libraries)
CPU Module	
CPU	Cortex-A8, 1 GHz
SDRAM	512 MB DDR3
Flash	512 MB
FRAM	64 KB
Storage	4 GB microSD card (up to 32 GB)
RTC (Real Time Clock)	Provide second, minute, hour, date, day of week, month, year
64-bit Hardware Serial Number	Yes, for Software Copy Protection
Watchdog Timers	Dual Watchdog Timer
Rotary Switch	1 x 10 Position (0 ~ 9)
Buzzer	Yes
Display	
VGA Resolution	Up to 1280 x 1024
LED Indicator	1 x Run, 1 x Power, 1 x 4G, 3 x Programmable
Communication Port	
Ethernet	2 x RJ-45, 10/100/1000 Based-TX (Auto-negotiating, Auto MDI/MDI-X, LED indicators)
USB 2.0 (host)	2
Console Port	RS-232 (RxD, TxD and GND); Non-isolated
ttyO2	RS-485 (Data+, Data-); Non-isolated
ttyO4	RS-232 (RxD, TxD and GND); Non-isolated
ttyO5	RS-485 (Data+, Data-); 2500 VDC isolated
I/O Expansion	
I/O Expansion Bus	One optional XV-board
Mechanical	
Casing	Metal
Dimensions (W x L x H)	35 mm x 167 mm x 119 mm
Ingress Protection Rating	IP30 (Aluminum)
Installation	DIN-Rail and Wall Mounting
Environmental	
Operating Temperature	-25 ~ +75°C
Storage Temperature	-40 ~ +80°C
Ambient Relative Humidity	10 ~ 90% RH, Non-condensing
Power	
Input Range	+12 ~ +48 VDC
Consumption	4.8 W (0.2 A @ 24 VDC)

Appearances



Dimensions (Units: mm)



Ordering Information

LP-2241MX CR	Linux Based PAC with Cortex-A8 CPU, 2 LAN Ports and optional communication module. Metal Case (RoHS)
---------------------	--

Option Accessories

XV-Board	Add-on I/O Expansion Board
EC25-E CR	3G/4G Communication LTE category 4 module