



AEV-x231-CE7
AVEVA Edge ViewPAC

Features

- AVEVA Edge runtime license ready
- Windows Embedded Compact 7 Operating System
- IP65 Compliant Front Panel
- 5.7"/10.4"/15" TFT LCD with Touch Panel
- RTC (Real-time clock)
- 64-bit Hardware Serial Number for Software Protection
- 3 Slots for High Profile I/O Modules
- Various Communication Interfaces
 - 10/100/1000BASE-T Ethernet Port
 - Serial Ports (RS-232/485)
 - USB 2.0 (host)



Introduction

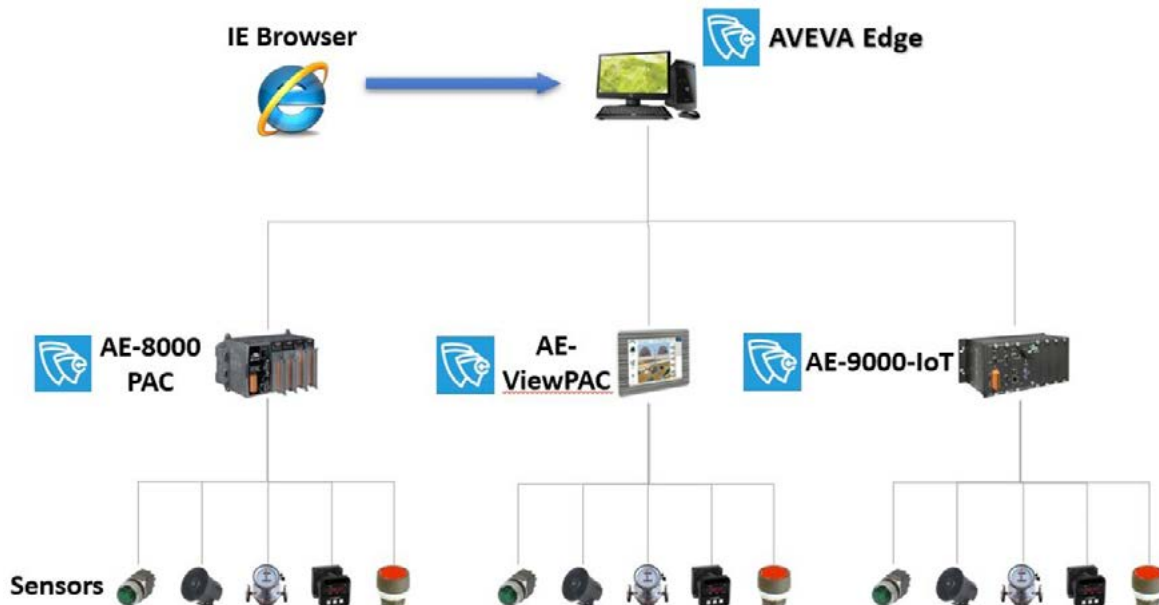
The **AEV-1231-CE7/AEV-4231-CE7/AEV-6231-CE7** are CE7 based ViewPAC that combine computing, I/O, and operator interface into a single unit, and provide the perfect solution for integrating HMI, data acquisition and control in an individual PAC. It is equipped with an ARM Cortex-A8 (32-bit and 1 GHz) CPU, 5.7"/10.4"/15" TFT LCD and a variety of input/output ports (USB, Ethernet, RS-232/485). Local 3 I/O slots are available to use ICP DAS I-8K and I-87K series I/O modules and remote I/O expansion is available to use Ethernet I/O modules and RS-485 I/O modules.

This ViewPAC also features with the powerful **AVEVA Edge**.

AVEVA Edge is the most powerful, integrated collection of e-automation development tool that includes all the building blocks needed to develop Human Machine Interface (HMI) and Supervisory Control and Data Acquisition (SCADA) systems. Compared to traditional IPC + PLC solutions, ViewPAC reduces overall system cost, space and gives you all the best features of IPC and PLC.

Applications

Environment monitoring, factory automation, building management system, industrial machine control, etc.

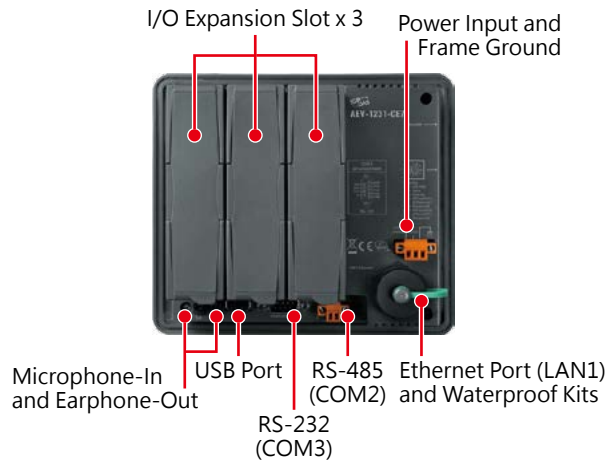
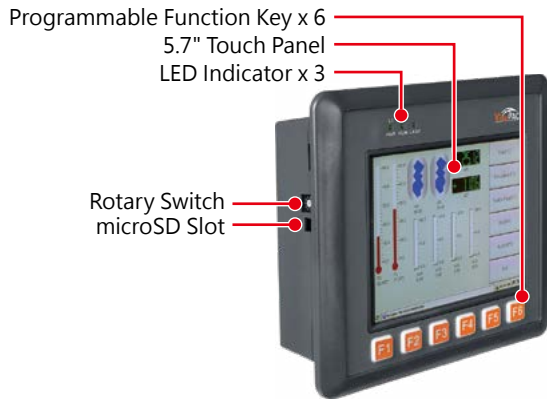


System Specifications

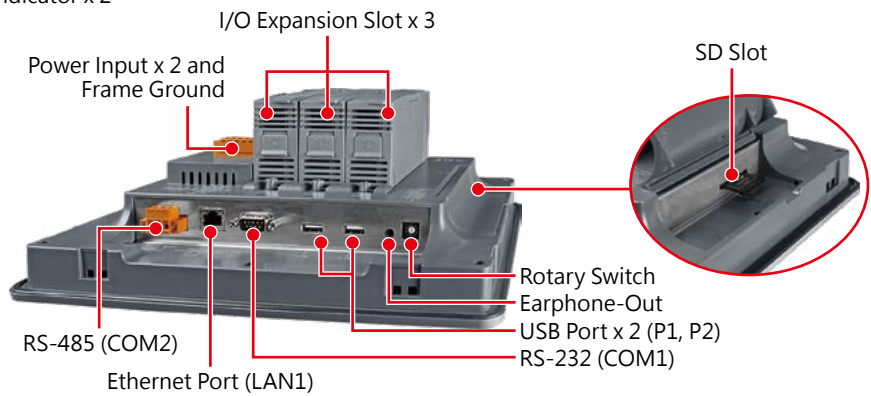
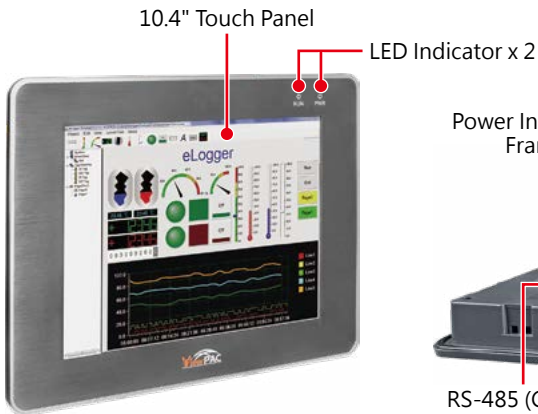
Models	AEV-1231-CE7	AEV-4231-CE7	AEV-6231-CE7
Display			
Size	5.7" (4:3)	10.4" (4:3)	15" (4:3)
Resolution	640 x 480	800 x 600	1024 x 768
Brightness	400 cd/m2		
Backlight Life	20,000 hours	50,000 hours	
Touch Panel	4-wire, resistive type; light transmission: 80 %	5-wire, resistive type; light transmission: 80 %	
System Software			
OS	Windows CE 7.0		
.Net Compact Framework	.Net Compact Framework 3.5		
Embedded Service	FTP server, Web server (supports VB script, JAVA script), SQL Compact Edition 3.5		
SDK Provided	DII for eVC, DII for Visual Studio.Net 2008		
Multilanguage Support	English, German, French, Spanish, Russian, Italian, Korean, Simplified Chinese, Traditional Chinese		
Development Software			
AVEVA Edge Software	AVEVA Edge Runtime		
CPU Module			
CPU	Cortex-A8, 1.0 GHz		
SDRAM	512 MB		
MRAM	128 KB		
Flash	256 MB		
EEPROM	16 KB		
Storage	4 GB microSD card (up to 32 GB)	A SD/microSD adapter and 4 GB microSD card (up to 32 GB)	
RTC (Real Time Clock)	Provide seconds, minutes, hours, day of week/month, month and year		
64-bit Hardware Serial Number	Yes		
Watchdog Timer	Dual Watchdog Timer		
Rotary Switch	Yes (0 ~ 9)		
LED Indicator	1 x System, 1 x Power, 1 x Ethernet, 3 x Programmable	1 x System, 1 x Power	
Audio	Microphone-In and Earphone-Out	Earphone-Out	Microphone-In and Earphone-Out
Rubber Keypad	6 Keys	-	
Communication Interface			
Ethernet	1 x RJ-45, 10/100/1000 Base-TX (Auto-negotiating, Auto MDI/MDI-X, LED indicators)		
USB 2.0	1	2	
COM 0	Internal communication with I-87K modules in slots		
COM 1	-	RS-232 (RxD, TxD, CTS, RTS, DSR, DTR, CD, RI, GND); Non-isolated	
COM 2	RS-485 (D2+, D2-); self-tuner ASIC inside; 2500 VDC Isolated		
COM 3	RS-232 (RxD, TxD, CTS, RTS, DSR, DTR, CD, RI, GND); Non-isolated	-	
I/O Expansion Slots			
I/O Type	I-8K, I-87K series		
Slots	3		
Mechanical			
Dimensions (W x L x H)	182 mm x 158 mm x 125 mm	293 mm x 231 mm x 129 mm	381 mm x 305 mm x 139 mm
Panel Cut-out (W x H)	153 mm x 136 mm +/- 1.0 mm	276 mm x 214 mm +/- 1.0 mm	366 mm x 290 mm +/- 1.0 mm
Weight	1.5 kg	3.6 kg	4.9 kg
Installation	Panel Mounting		
Ingress Protection	Front panel: NEMA 4/IP65		
Environment			
Operating Temperature	-20 ~ +70°C		
Storage Temperature	-30 ~ +80°C		
Humidity	10% ~ 90% RH, non-condensing		
Power			
Input Range	+10 ~ 30 VDC (1 kV Isolated)		
Redundant Power Inputs	-	Yes	
Consumption	0.3 A @ 24 VDC	0.45 A @ 24 VDC	0.65 A @ 24 VDC

Appearance

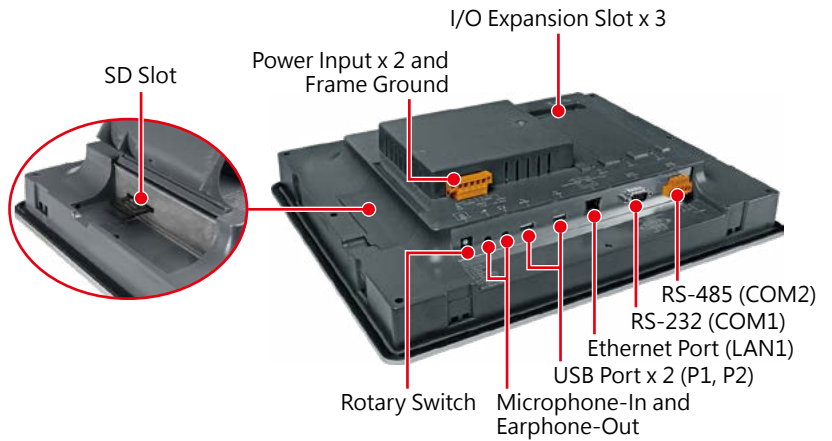
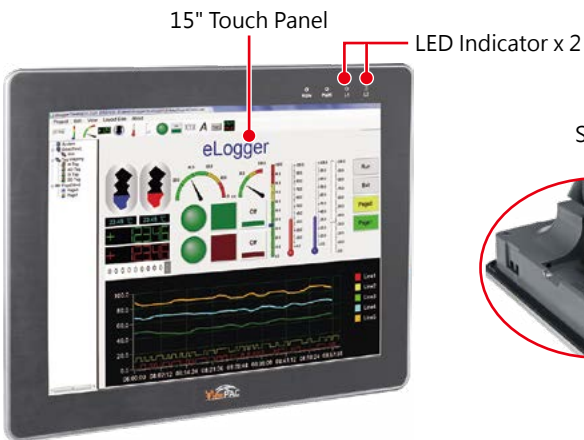
AEV-1231-CE7



AEV-4231-CE7

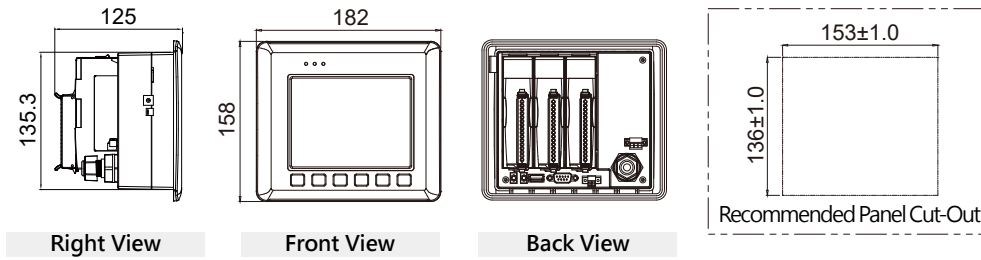


AEV-6231-CE7

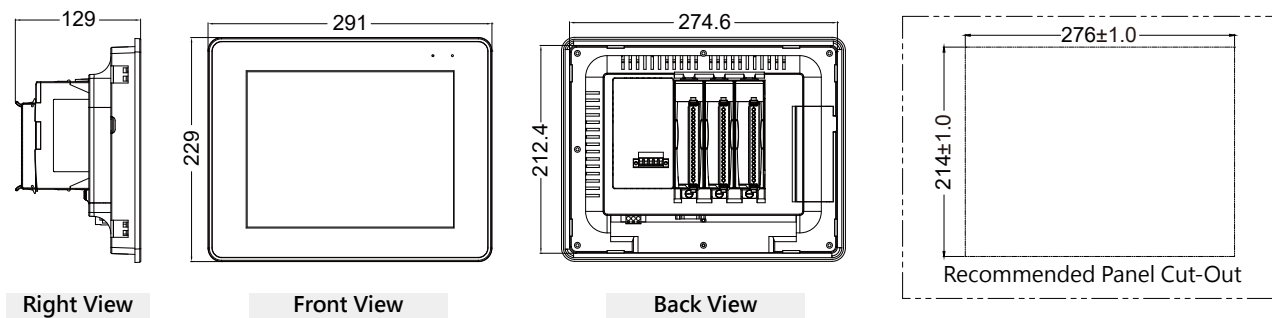


■ Dimensions (Units: mm)

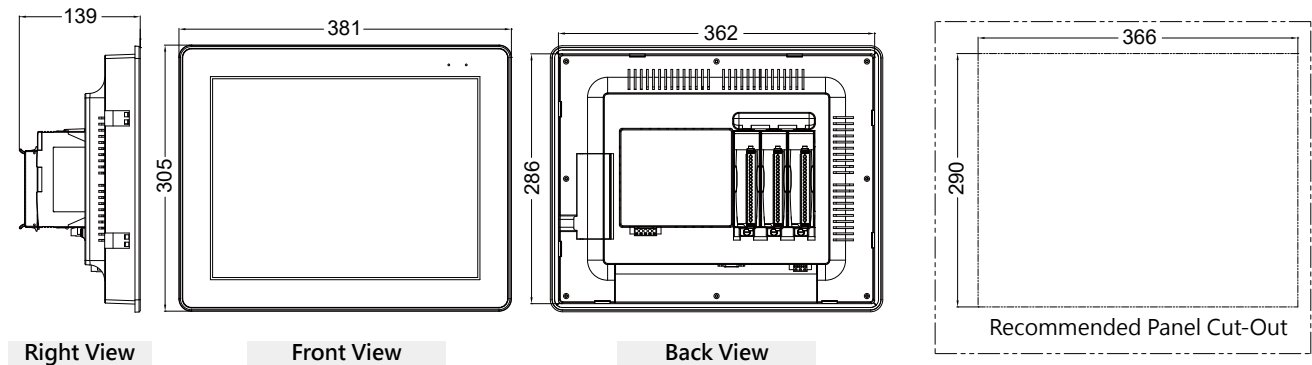
AEV-1231-CE7



AEV-4231-CE7



AEV-6231-CE7



■ Ordering Information

AVEVA Edge Default Runtime License: 300 Tags, Unlimited Drivers	
AEV-1231-CE7 CR	5.7" LCD AVEVA Edge (300 tags) Based ViewPAC with 3 I/O slots (WinCE 7.0) (RoHS)
AEV-4231-CE7 CR	10.4" LCD AVEVA Edge (300 tags) Based ViewPAC with 3 I/O slots (WinCE 7.0) (RoHS)
AEV-6231-CE7 CR	15" LCD AVEVA Edge (300 tags) Based ViewPAC with 3 I/O slots (WinCE 7.0) (RoHS)
AVEVA Edge Default Runtime License: 1500 Tags, Unlimited Drivers	
AEV-1231-CE7-1500 CR	5.7" LCD AVEVA Edge (1500 tags) Based ViewPAC with 3 I/O slots (WinCE 7.0) (RoHS)
AEV-4231-CE7-1500 CR	10.4" LCD AVEVA Edge (1500 tags) Based ViewPAC with 3 I/O slots (WinCE 7.0) (RoHS)
AEV-6231-CE7-1500 CR	15" LCD AVEVA Edge (1500 tags) Based ViewPAC with 3 I/O slots (WinCE 7.0) (RoHS)