



AEV-x201-CE7

7"/8.4"/10.4"/12.1"/15" ViewPAC
with AVEVA Edge

Features

- AVEVA Edge runtime license ready
- Windows Embedded Compact 7 Operating System
- IP65 Compliant Front Panel
- 7"/8.4"/10.4"/12.1"/15" TFT LCD with Touch Pane
- RTC (Real-time clock)
- 64-bit Hardware Serial Number for Software Protection
- Various Communication Interfaces
 - 10/100/1000BASE-T Ethernet Port
 - Serial Ports (RS-232/485)
 - USB 2.0 (host)



Introduction

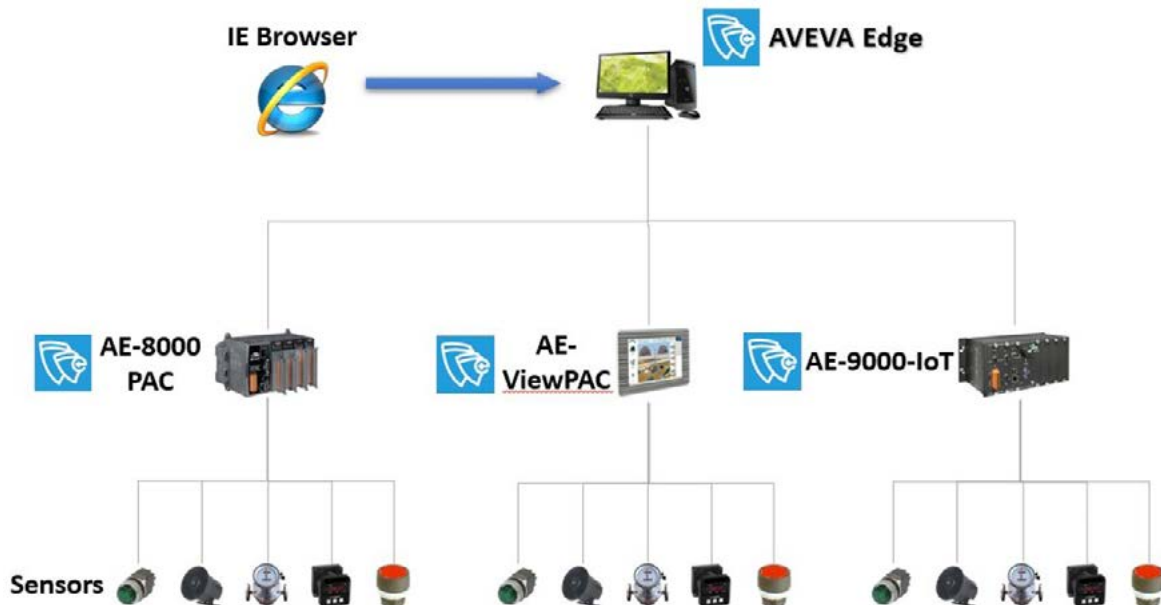
The **AEV-2201-CE7/AEV-3201-CE7/AEV-4201-CE7/AEV-5201-CE7/AEV-6201-CE7** series are CE7 based ViewPAC that combine computing, and operator interface into a single unit, and provide the perfect solution for integrating HMI, data acquisition and control in an individual PAC. It is equipped with an ARM Cortex-A8 (32-bit and 1 GHz) CPU, 7"/8.4"/10.4"/12.1"/15" TFT LCD and a variety of input/output ports (USB, Ethernet, RS-232/485). Remote I/O expansion is available to use Ethernet I/O modules and RS-485 I/O modules.

This ViewPAC also features with the powerful **AVEVA Edge**.

AVEVA Edge is the most powerful, integrated collection of e-automation development tool that includes all the building blocks needed to develop Human Machine Interface (HMI) and Supervisory Control and Data Acquisition (SCADA) systems. Compared to traditional IPC + PLC solutions, ViewPAC reduces overall system cost, space and gives you all the best features of IPC and PLC.

Applications

Environment monitoring, factory automation, building management system, industrial machine control, etc.



System Specifications

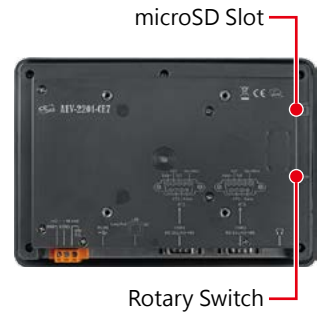
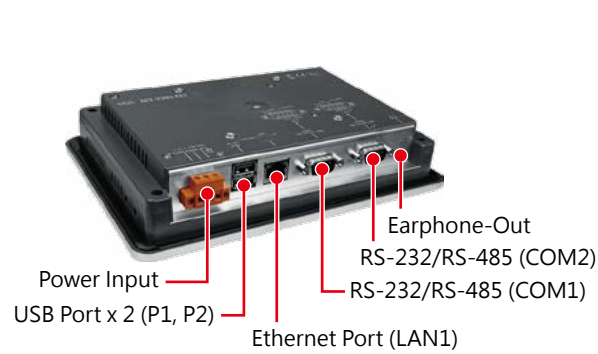
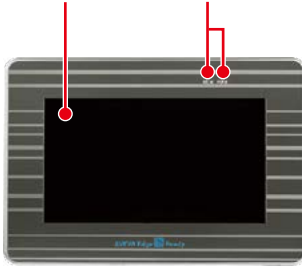
Models	AEV-2201-CE7	AEV-3201-CE7	AEV-4201-CE7	AEV-5201-CE7	AEV-6201-CE7
Display					
Size	7" (16:9)	8.4" (4:3)	10.4" (4:3)	12.1" (4:3)	15" (4:3)
Resolution	800 x 480	800 x 600			1024 x 768
Brightness	400 cd/m2				
Backlight Life	20,000 hours	50,000 hours			
Touch Panel	4-wire, resistive type; light transmission: 80 %	5-wire, resistive type; light transmission: 80 %			
System Software					
OS	Windows CE 7.0				
Framework Support	.Net Compact Framework 3.5				
Service	FTP server, Web server (supports VB script, JAVA script), SQL Compact Edition 3.5				
SDK	DII for eVC, DII for Visual Studio.Net 2008				
Multilanguage Support	English, German, French, Spanish, Russian, Italian, Korean, Simplified Chinese, Traditional Chinese				
Development Software					
AVEVA Edge Software	AVEVA Edge Runtime				
CPU Module					
CPU	Cortex-A8, 1.0 GHz				
SDRAM	512 MB				
MRAM	128 KB				
Flash	256 MB				
EEPROM	16 KB				
Storage	4 GB microSD card (up to 32 GB)	A SD/microSD adapter and 4 GB microSD card (up to 32 GB)			
RTC (Real Time Clock)	Provide seconds, minutes, hours, day of week/month, month and year				
64-bit Hardware Serial Number	Yes				
Watchdog Timer	Dual Watchdog Timer				
Rotary Switch	Yes (0 ~ 9)				
LED Indicator	1 x System, 1 x Power				
Audio	Earphone-Out				
Communication Interface					
Ethernet	1 x RJ-45, 10/100/1000 Base-TX (Auto-negotiating, Auto MDI/MDI-X, LED indicators)				
USB 2.0	1	2			
COM 1	RS-232/RS-485; 2500 VDC isolated	-	RS-232/RS-485; 2500 VDC isolated		
COM 2	RS-232/RS-485; 2500 VDC isolated				
COM 3	-	RS-485; 2500 VDC isolated			
Mechanical					
Dimensions (W x H x D, unit: mm)	213 x 148 x 44	249 x 207 x 64	291 x 229 x 54	324 x 255 x 64	381 x 305 x 63
Panel Cut-out (W x H, unit: mm)	197 x 133, +/- 1	235 x 193, +/- 1	277 x 215, +/- 1	310 x 241, +/- 1	362 x 286, +/- 1
Weight	1.5 kg	3.6 kg		4.9 kg	
Installation	Panel Mounting				
Ingress Protection	Front panel: NEMA 4/IP65				
Environment					
Operating Temperature	-10 °C ~ +60 °C				
Storage Temperature	-20 °C ~ +70 °C				
Humidity	10% ~ 90% RH, non-condensing				
Power					
Input Range	+10 ~ 30 VDC (1 kV Isolated)				
Powered from PoE	Yes				
Redundant Power Inputs	-	Yes			
Consumption	6.0 W	7.5 W	13.0 W	14.0 W	16.0 W

Appearance

AEV-2201-CE7

7" Touch Panel

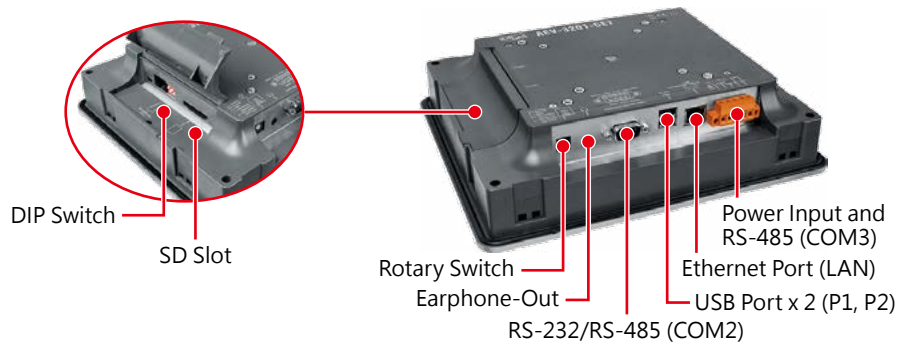
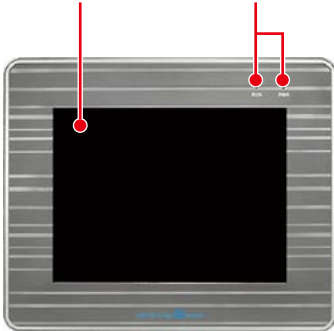
LED Indicator x 2



AEV-3201-CE7

8.4" Touch Panel

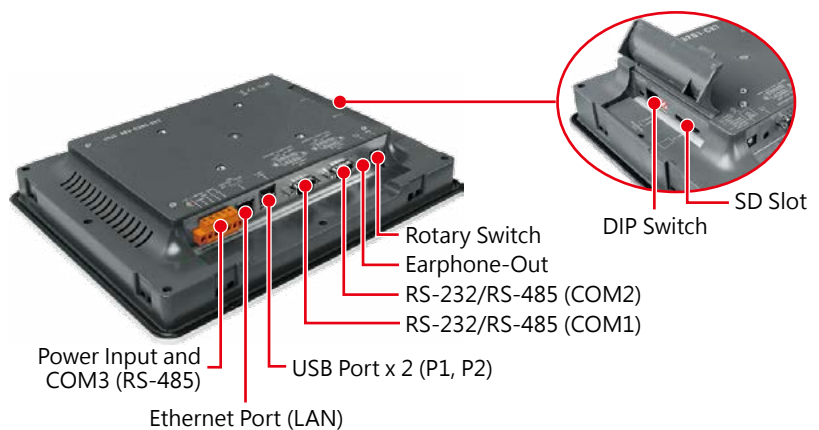
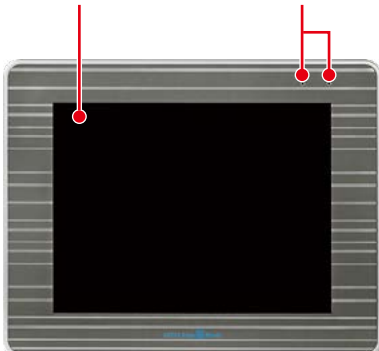
LED Indicator x 2



AEV-4201-CE7

10.4" Touch Panel

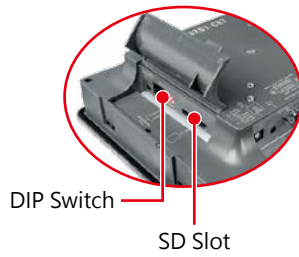
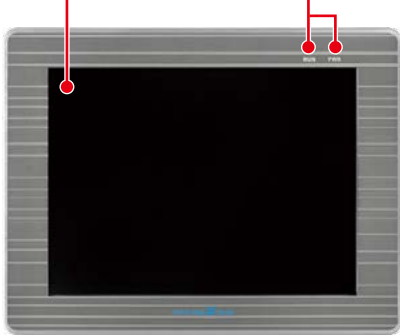
LED Indicator x 2



AEV-5201-CE7

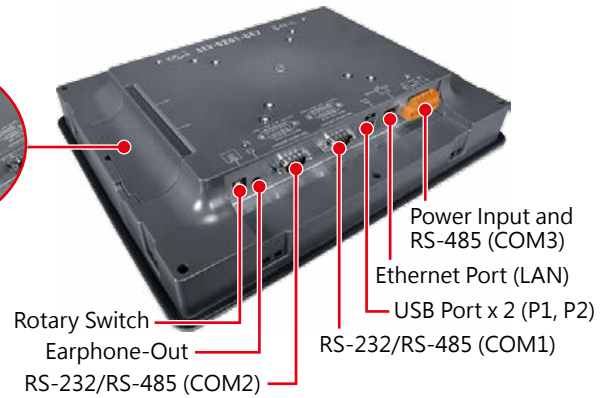
12.1" Touch Panel

LED Indicator x 2



DIP Switch

SD Slot



Rotary Switch

Earphone-Out

RS-232/RS-485 (COM2)

Power Input and RS-485 (COM3)

Ethernet Port (LAN)

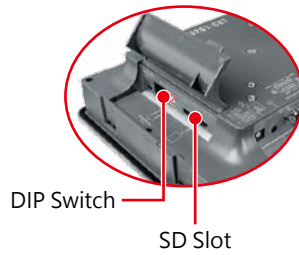
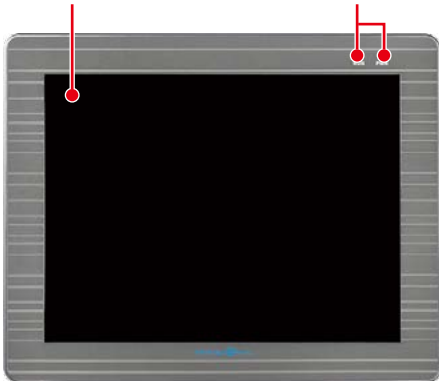
USB Port x 2 (P1, P2)

RS-232/RS-485 (COM1)

AEV-6201-CE7

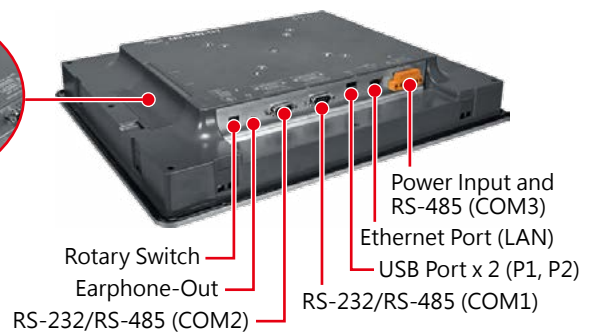
15" Touch Panel

LED Indicator x 2



DIP Switch

SD Slot



Rotary Switch

Earphone-Out

RS-232/RS-485 (COM2)

Power Input and RS-485 (COM3)

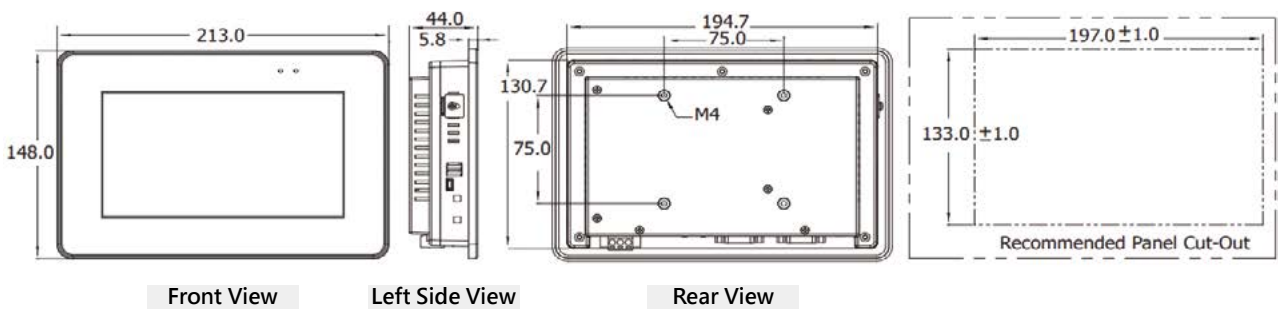
Ethernet Port (LAN)

USB Port x 2 (P1, P2)

RS-232/RS-485 (COM1)

■ Dimensions (Units: mm)

AEV-2201-CE7

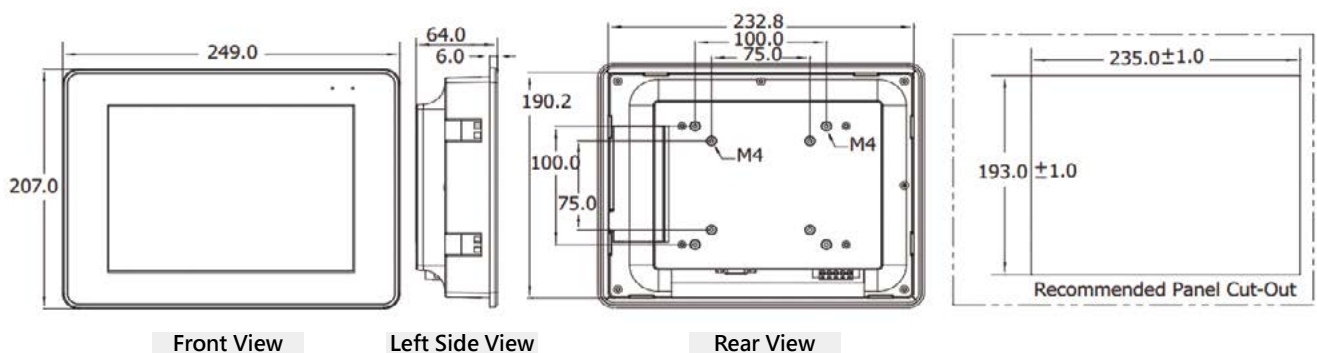


Front View

Left Side View

Rear View

AEV-3201-CE7

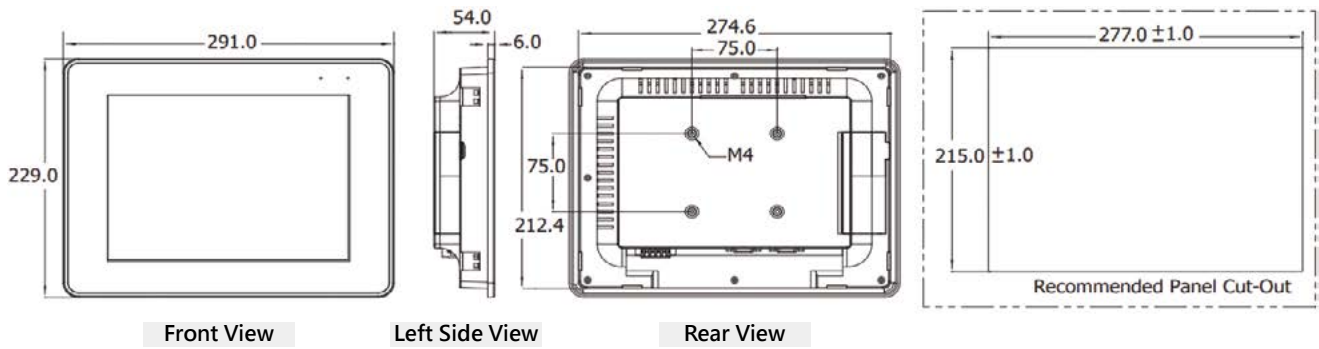


Front View

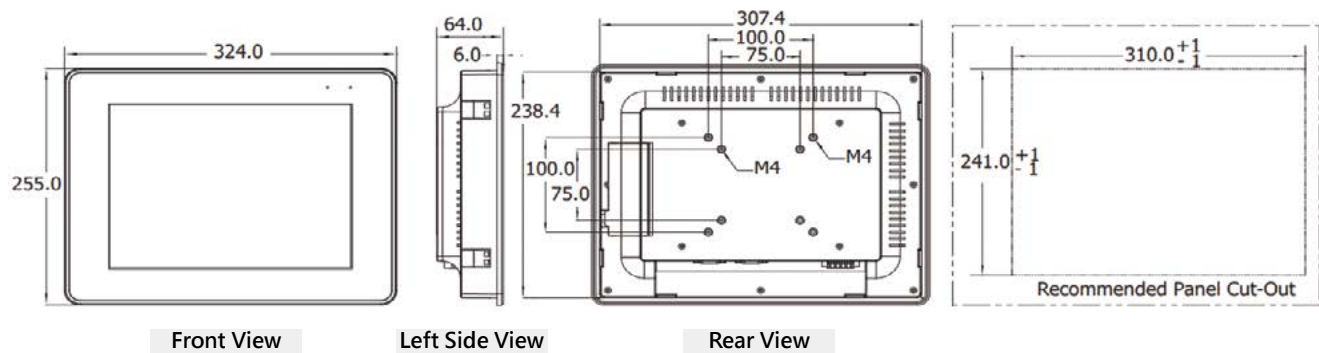
Left Side View

Rear View

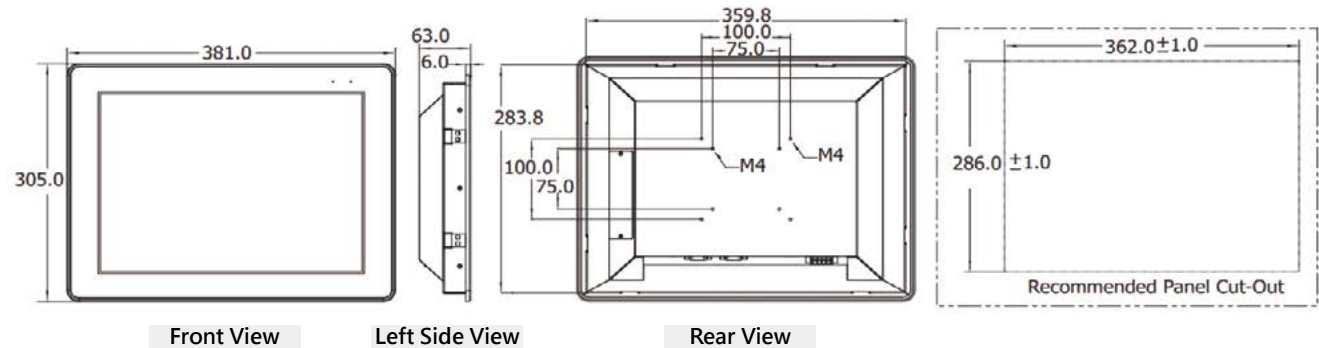
AEV-4201-CE7



AEV-5201-CE7



AEV-6201-CE7



Ordering Information

AVEVA Edge Default Runtime License: 300 Tags, Unlimited Drivers	
AEV-2201-CE7 CR	7" LCD AVEVA Edge (300 tags) Based ViewPAC (WinCE 7.0) (RoHS)
AEV-3201-CE7 CR	8.4" LCD AVEVA Edge (300 tags) Based ViewPAC (WinCE 7.0) (RoHS)
AEV-4201-CE7 CR	10.4" LCD AVEVA Edge (300 tags) Based ViewPAC (WinCE 7.0) (RoHS)
AEV-5201-CE7 CR	12.1" LCD AVEVA Edge (300 tags) Based ViewPAC (WinCE 7.0) (RoHS)
AEV-6201-CE7 CR	15" LCD AVEVA Edge (300 tags) Based ViewPAC (WinCE 7.0) (RoHS)
AVEVA Edge Default Runtime License: 1500 Tags, Unlimited Drivers	
AEV-2201-CE7-1500 CR	7" LCD AVEVA Edge (1500 tags) Based ViewPAC (WinCE 7.0) (RoHS)
AEV-3201-CE7-1500 CR	8.4" LCD AVEVA Edge (1500 tags) Based ViewPAC (WinCE 7.0) (RoHS)
AEV-4201-CE7-1500 CR	10.4" LCD AVEVA Edge (1500 tags) Based ViewPAC (WinCE 7.0) (RoHS)
AEV-5201-CE7-1500 CR	12.1" LCD AVEVA Edge (1500 tags) Based ViewPAC (WinCE 7.0) (RoHS)
AEV-6201-CE7-1500 CR	15" LCD AVEVA Edge (1500 tags) Based ViewPAC (WinCE 7.0) (RoHS)