



AE-9221-CE7/AE-9421-CE7/ AE-9821-CE7

WP-9000-CE7 built-in AVEVA Edge

Features

- AVEVA Edge runtime license ready
- Windows CE 7.0
- Cortex-A8, 1GHz CPU
- Hard Real-Time Capability
- 64-bit Hardware Serial Number for Software Protection
- 2/4/8 Slots for High Profile I/O Modules
- Various Memory and Storage
 - 512 MB SDRAM and 256 MB Flash
 - 16 KB FRAM and 128 KB MRAM for data retention
 - 1 x SD socket with one SD card
- Various Communication Interfaces
 - 10/100/1000BASE-T Ethernet Port
 - Serial Ports (RS-232/485)
 - USB 2.0 (host)
- Redundant Power Input



Introduction

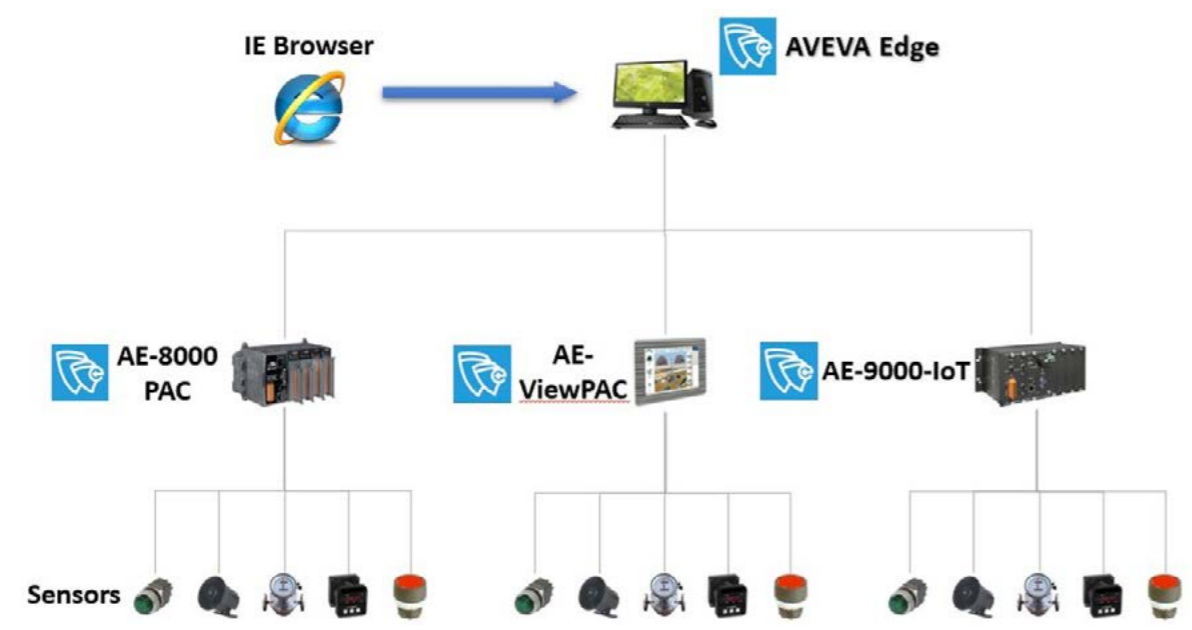
AE-9221-CE7/AE-9421-CE7/ AE-9821-CE7 are CE7 based WinPAC that combine computing, I/O, and operator interface into a single unit, and provide the perfect solution for data acquisition and control in an individual PAC. It is equipped with an ARM Cortex-A8 (32-bit and 1 GHz) CPU and a variety of input/output ports (USB, Ethernet, RS-232/485). Local 2/4/8 I/O slots are available to use ICP DAS I-9K and I-97K series I/O modules and remote I/O expansion is available to use Ethernet I/O modules and RS-485 I/O modules.

This WinPAC also features with the powerful **AVEVA Edge**.

AVEVA Edge is the most powerful, integrated collection of e-automation development tool that includes all the building blocks needed to develop Human Machine Interface (HMI) and Supervisory Control and Data Acquisition (SCADA) systems. Compared to traditional IPC + PLC solutions, WinPAC reduces overall system cost, space and gives you all the best features of IPC and PLC.

Applications

Environment monitoring, factory automation, building management system, industrial machine control, etc.

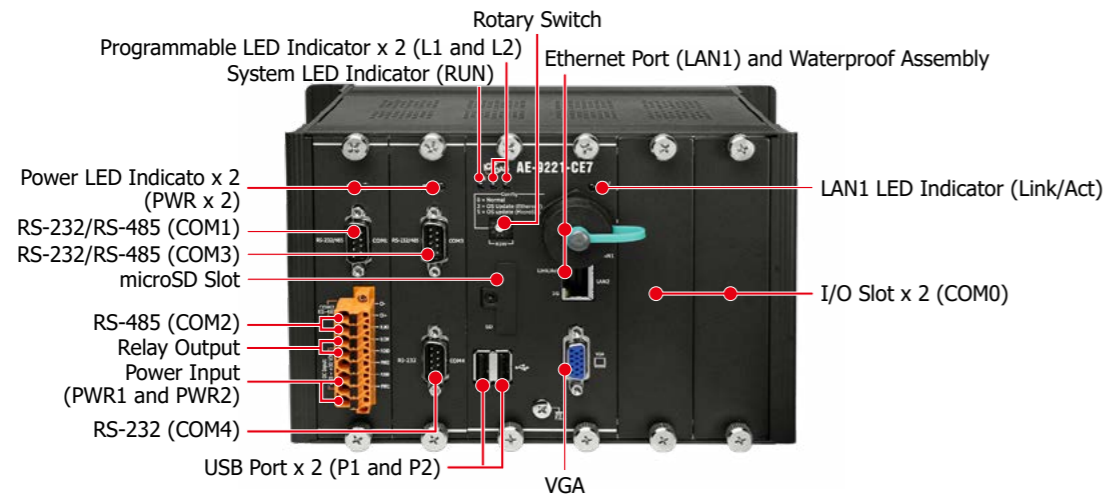


System Specifications

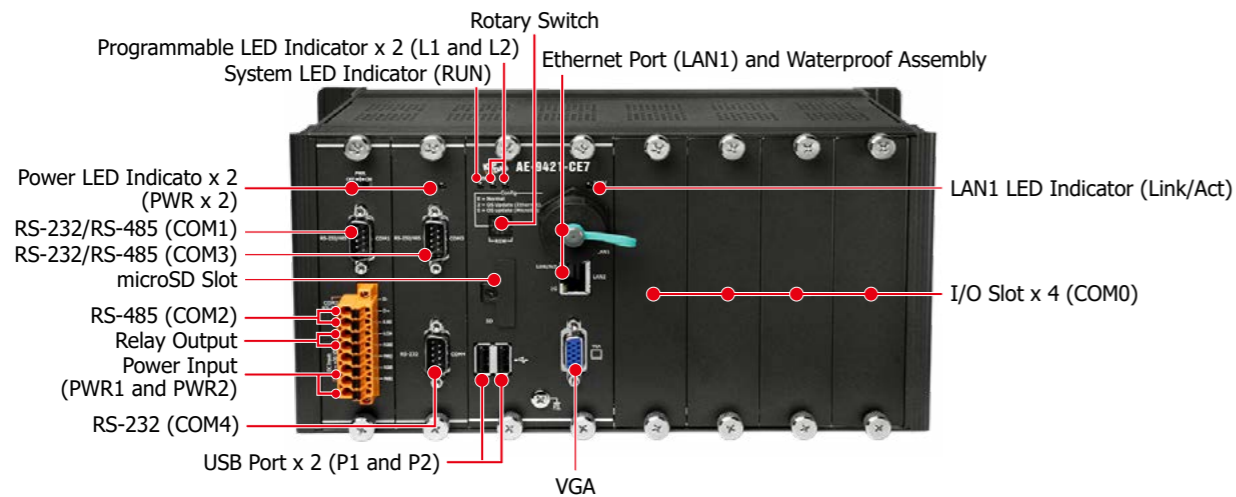
Model	AE-9221-CE7	AE-9421-CE7	AE-9821-CE7
Software			
OS	Windows CE 7.0		
Framework	.Net Compact Framework 3.5		
Service	FTP Server, Web Server (Supports VB script, JAVA script), Embedded SQL Server		
SDK	DII for VC, DII for Visual Studio.Net 2008		
Multilanguage Support	English, German, French, Spanish, Russian, Italian, Korean, Simplified Chinese, Traditional Chinese		
Preloaded Software	AVEVA Edge Runtime		
CPU Module			
CPU	Cortex-A8, 1.0 GHz		
SDRAM	512 MB DDR3		
MRAM	128 KB		
Flash	256 MB		
EEPROM	16 KB		
Storage	4 GB SD card (up to 32 GB)		
Real Time Clock (RTC)	Provide seconds, minutes, hours, dates, day of week, month, year		
64-bit Hardware Serial Number	Yes, for software copy protection		
Watchdog Timer	Dual Watchdog Timer		
Rotary Switch	1 x 10 Position (0 ~ 9)		
Display			
VGA Resolution	800 x 600, 1024 x 768		
LED Indicators	1 x System, 2 x Power, 2 x Programmable		
Communication Interfaces			
Ethernet	2 x RJ-45, 10/100/1000 Base-TX (Auto-negotiating, Auto MDI/MDI-X, LED indicators)		
USB 2.0 (host)	2		
COM 0	Internal communication with the I-97K series modules in slots		
COM 1	RS-232/485 (RxD, TxD and GND for RS-232; Data+, Data- for RS-485); 3000 VDC isolated		
COM 2	RS-485 (Data+, Data-); 3000 VDC isolated		
COM 3	RS-232/485 (RxD, TxD, CTS, RTS and GND for RS-232; Data+, Data- for RS-485); 3000 VDC isolated		
COM 4	RS-232 (RxD, TxD, CTS, RTS, DSR, DTR, CD, RI and GND); 3000 VDC isolated		
I/O Expansion			
I/O Slots	2	4	8
Mechanical			
Dimension (W x L x H)	239 mm x 133 mm x 164 mm	300 mm x 133 mm x 164 mm	422 mm x 133 mm x 164 mm
Ingress Protection Rating	IP30 (Aluminum)		
Installation	DIN-Rail, Wall mounting		
Environmental			
Operating Temperature	-25 ~ +75°C		
Storage Temperature	-30 ~ +80°C		
Humidity	10 ~ 90 % RH, Non-condensing		
Power			
Input Range	+10 ~ 30 VDC (1 kV Isolated)		
Redundant Power Inputs	Yes, with one power relay (1 A @ 24 VDC) for alarm		
Capacity	1.5 A, 5 V supply to CPU and backplane; 6.5 A, 5 V supply to I/O expansion slots, total 40 W		
Consumption	10.8 W (0.45 A @ 24 VDC)		

Appearance

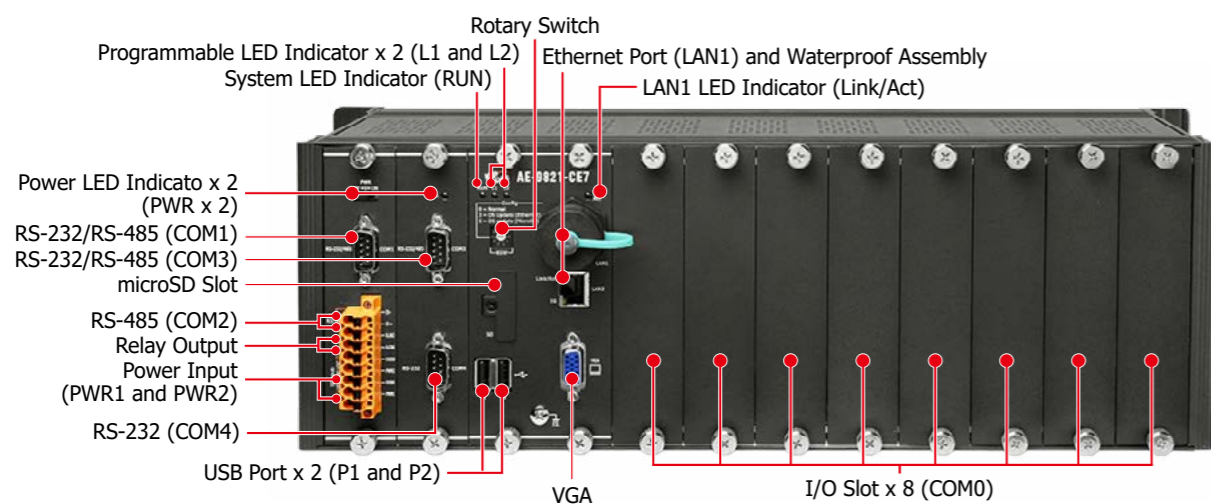
AE-9221-CE7



AE-9421-CE7

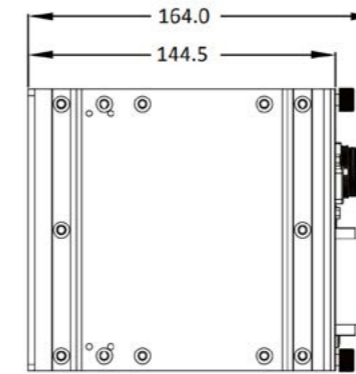


AE-9821-CE7



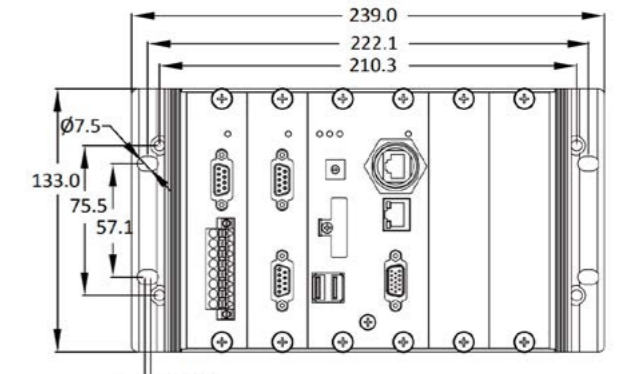
Dimensions (Units: mm)

AE-9221-CE7/AE-9421-CE7/AE-9821-CE7



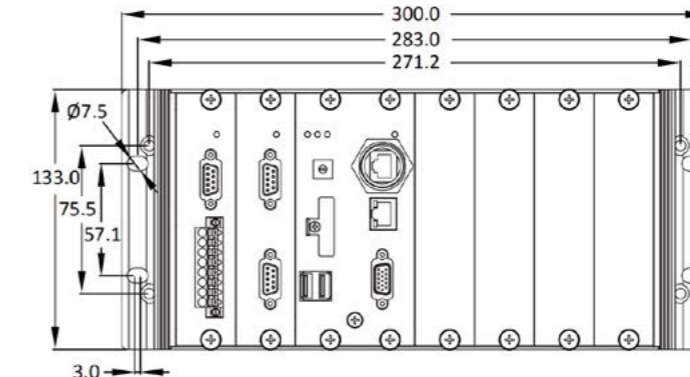
Left Side View

AE-9221-CE7



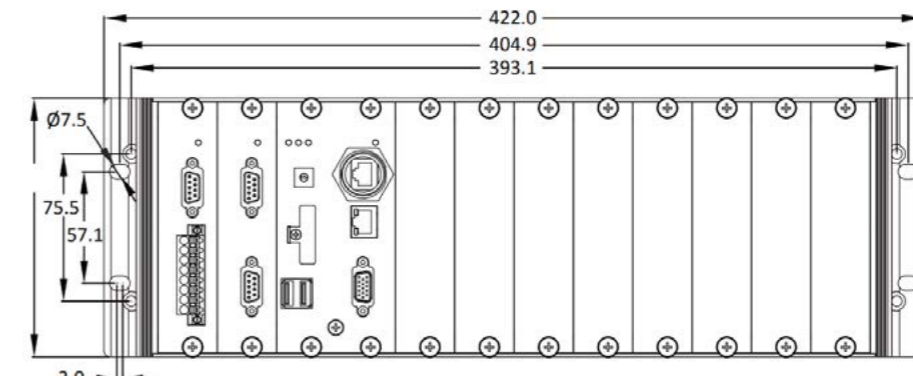
Front View

AE-9421-CE7



Front View

AE-9821-CE7



Front View

Ordering Information

AVEVA Edge Default Runtime License: 300 Tags, Unlimited Drivers	
AE-9221-CE7 CR	AVEVA Edge (300 tags) ready, 2-slot WinPAC (WinCE 7.0) (RoHS)
AE-9421-CE7 CR	AVEVA Edge (300 tags) ready, 4-slot WinPAC (WinCE 7.0) (RoHS)
AE-9821-CE7 CR	AVEVA Edge (300 tags) ready, 8-slot WinPAC (WinCE 7.0) (RoHS)
AVEVA Edge Default Runtime License: 1500 Tags, Unlimited Drivers	
AE-9221-CE7-1500 CR	AVEVA Edge (1500 tags) ready, 2-slot WinPAC (WinCE 7.0) (RoHS)
AE-9421-CE7-1500 CR	AVEVA Edge (1500 tags) ready, 4-slot WinPAC (WinCE 7.0) (RoHS)
AE-9821-CE7-1500 CR	AVEVA Edge (1500 tags) ready, 8-slot WinPAC (WinCE 7.0) (RoHS)