



iP-8441-MTCP/iP-8841-MTCP

4/8-slot Modbus TCP I/O Expansion Unit
(Modbus TCP Protocol)

Features

- 2 independent Ethernet ports
- Supports Modbus TCP
- Supports Modbus RTU/ASCII
- Supports Modbus TCP to RTU Gateway
- Auto Configuration
- 4/8 I/O Slots for I-8K and I-87K Series Modules



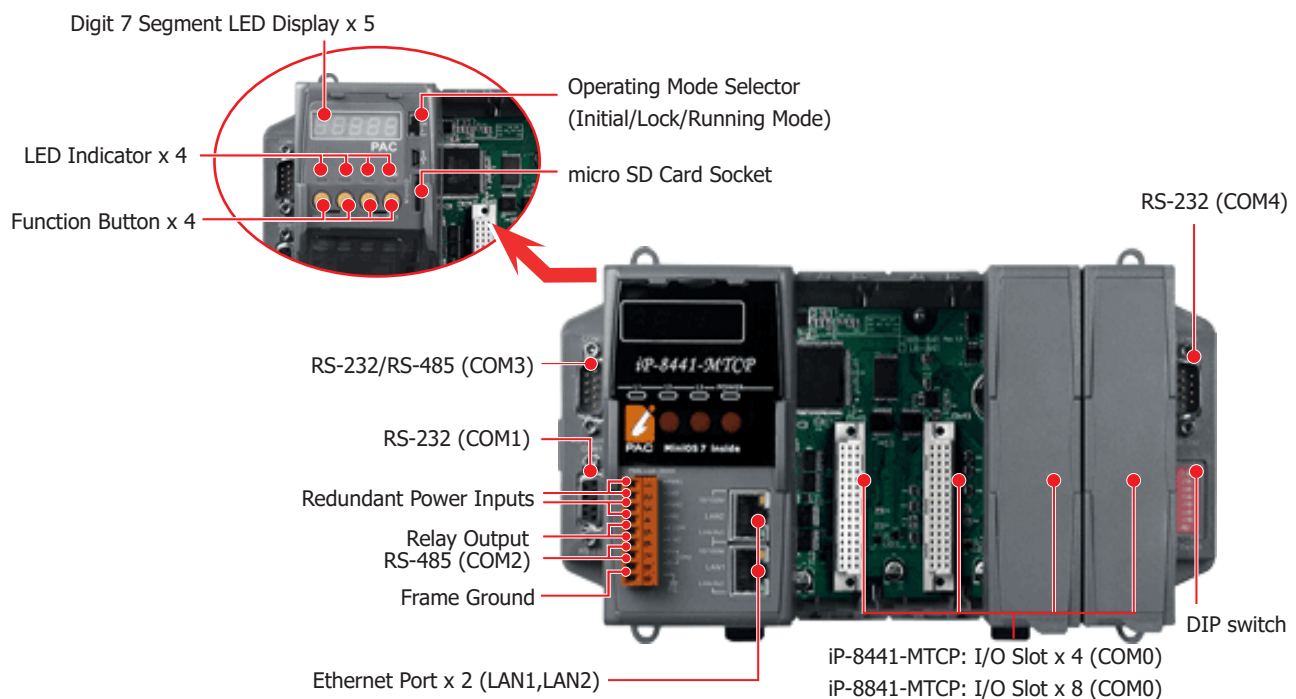
Introduction

iP-8441-MTCP/iP-8841-MTCP is a Modbus TCP I/O expansion unit to expand I-8K and I-87K series I/O modules over the Ethernet for industrial monitoring and controlling applications. There are more than 50 I/O modules supported with the unit, including analog input/output, digital input/output, counter, frequency I/O modules. It is designed to be used in harsh and noisy environment, so the hardware is manufactured with wide power input range (10 ~ 30 VDC), isolated power input and can operate under wide temperature (-25 ~ +75 °C). To simplify installation and maintenance of I/O modules, it provides many useful features, such as: auto configuration, LED indicators for fault detection, dual watchdog to keep alive, programmable power on and safe values for safety.

Modbus is a very wide known protocol in the industrial manufacturing and environment monitoring fields. Many SCADA software, HMI and PLC has builtin driver to support Modbus devices. Besides, we also provide SDK on different platforms, such as Windows XP, Window CE 5.0/6.0, Linux, MiniOS7. Therefore, it is very easy to integrate remote I/O to customer's applications.

Furthermore, the iP-8441-MTCP/iP-8841-MTCP is also a c language based programmable controller that equipped a DOS-like OS (MiniOS7). Programmers can use C compilers that can create 16 bit executable file (*.exe) to customize the Modbus firmware which preinstalled in the iP-8441-MTCP/iP-8841-MTCP. The SDK provides rich functions for Modbus communication, such as Modbus TCP master/slave, Modbus RTU master/slave, Modbus ASCII master/slave, etc.

Appearance

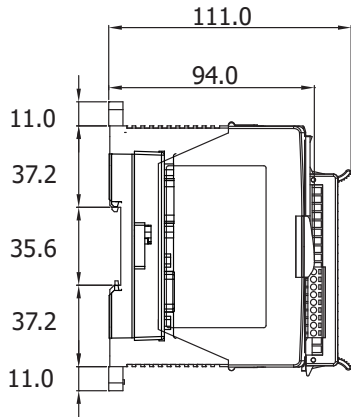


Specifications

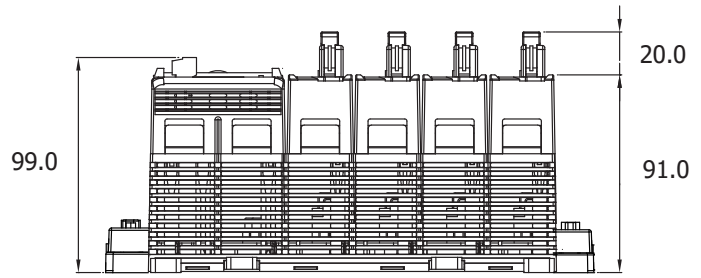
| Models | iP-8441-MTCP | iP-8841-MTCP |
|------------------------|--|--------------------|
| Software | | |
| OS | MiniOS7 | |
| Development | C Language | |
| CPU Module | | |
| CPU | 80186 or compatible, 16-bit and 80 MHz | |
| EEPROM | 16 KB | |
| Flash | 512 KB | |
| NVRAM | 31 Bytes | |
| SRAM | 768 KB SRAM, 512 KB Dual battery backup SRAM | |
| Storage Expansion | 4 GB microSD card (up to 32 GB) | |
| Real Time Clock | Provide seconds, minutes, hours, dates, day of week, month, year | |
| Watchdog Timer | Yes | |
| Display | | |
| Type | 5 x Digit 7 Segment LED Display | |
| LED Indicators | | |
| Status | 1 x Run, 1 x Module offline, 1 x WDT, 1 x Power | |
| I/O Expansion | | |
| I/O Type | I-8K, I-87K series | |
| Slots | 4 | 8 |
| COM Ports | | |
| Ports | 2 x RS-232, 1 x RS-485 (3000 VDC Isolated), 1 x RS-232/RS-485 | |
| Protocol | Modbus RTU/ASCII Slave | |
| HMI | | |
| Buzzer | Yes | |
| DIP Switch | 8-bit for address | |
| Push Button | 4 | |
| Ethernet | | |
| Ports | 2 x RJ-45, 10/100 Base-TX | |
| Protocol | Modbus TCP Slave, Modbus TCP to RTU Gateway | |
| Power | | |
| Input Range | +10 ~ 30 VDC (1 kV Isolated) | |
| Redundant Power Inputs | Yes | |
| Consumption | 6.7 W | 7.2 W |
| Mechanical | | |
| Dimension (W x L x H) | 231 x 132 x 111 mm | 355 x 132 x 111 mm |
| Installation | DIN-Rail, Wall mounting | |
| Environmental | | |
| Operating Temperature | -25 ~ +75 °C | |
| Storage Temperature | -30 ~ +80 °C | |
| Humidity | 10 ~ 90 % RH, Non-condensing | |

■ Dimensions (Units: mm)

iP-8411-MRTU/iP-8811-MRTU

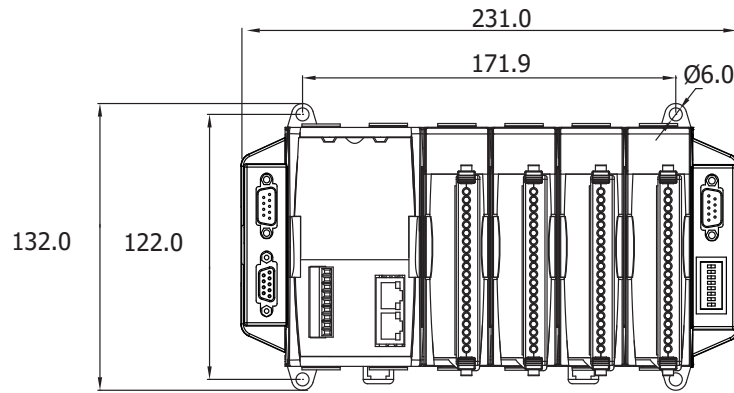


Left Side View



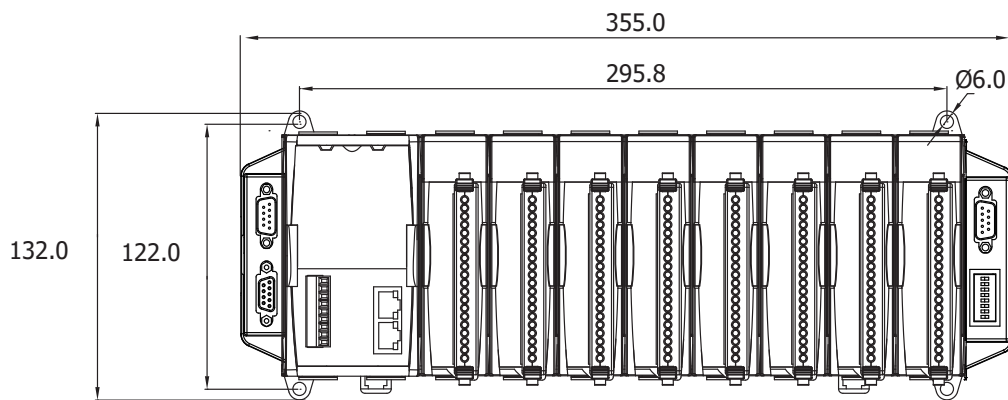
Bottom View

iP-8411-MRTU



Front View

iP-8811-MRTU



Front View

■ Ordering Information

| | |
|--------------------------|---|
| iP-8441-MTCP-G CR | 4-slot Modbus TCP I/O Expansion Unit (Modbus TCP Protocol) (RoHS) |
| iP-8841-MTCP-G CR | 8-slot Modbus TCP I/O Expansion Unit (Modbus TCP Protocol) (RoHS) |