



## F-8041

32-ch Isolated DO Redundant Module

### Features

- 32 digital output (sink) channels
- Safety value (Preset/Hold)
- Power on value
- Input channel LED indication
- Termination board break off detection
- Redundant switching time (<100 us)



### Introduction

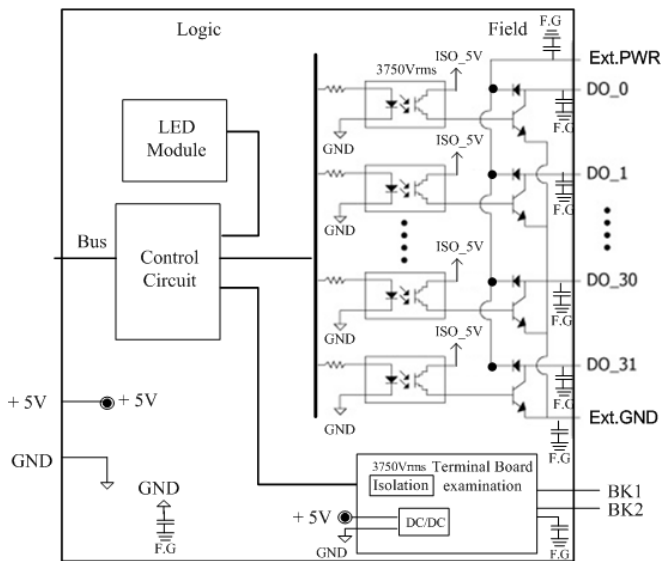
F-8041 has 32 NPN digital output channels (sink mode), which can drive loads up to 0.5A. It provides LEDs to indicate the ON/OFF status of each output channel. It supports Cable disconnection detection function between the module and the terminal board. It also provides 3000 V<sub>DC</sub> isolation between the power supply and the backplane bus, making it better able to prevent noise interference in industrial environments without affecting the iDCS-8000 system.

### Specifications

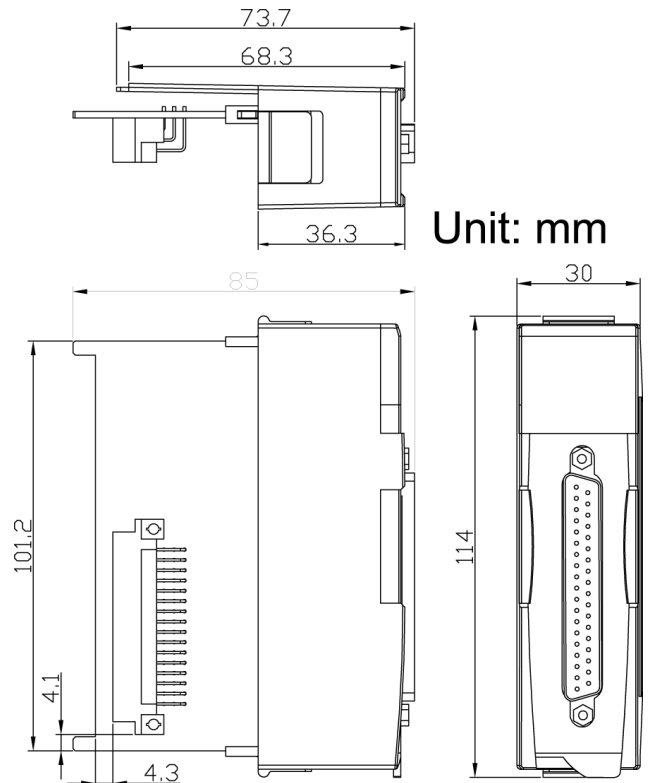
Feature	
Redundant	Yes (Switching time < 100us)
Termination board break off detection	Yes
Safe value	Yes (Preset/Hold)
Power on value	Yes (Power on value)
LED	
LED indicator	1 RUN, 1 ACT, 1 DUX
I/O indicator	32
Digital output	
Number of channels	32 (NPN)
Type	Current sinking, Open-collector
Output load current	0.5A
Output switching	100 us
Output impedance	2 Ω
Isolation	3000 V <sub>DC</sub>

Certification	
Emission	IEC 61000-6-4
Immunity	IEC 61000-6-2
	IEC 61000-4-3
	IEC 61000-4-4
	IEC 61000-4-6
	IEC 61000-4-9
	IEC 61000-4-10
IEC 61000-4-12	
General	
Termination Board	DN-DO-16DR-A/B, DN-DIO-M
Max. Power Consumption	2.1 W
Operating Temperature	-25 ~ 75 °C
Storage Temperature	-30 ~ 80 °C
Humidity	5 ~ 95 % RH, Non-condensing
Weight	300g
Dimensions (WxLxH)	30mm x 85mm x 115mm

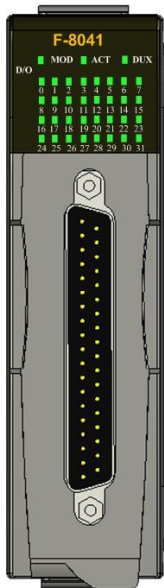
## Internal I/O Structure



## Dimension (unit: mm)



## Pin Assignment



Pin Assignment Name	Terminal No.	Pin Assignment Name
Ext.PWR	19	BK2
Ext.GND	18	Ext.GND
DO_15	17	DO_31
DO_14	16	DO_30
DO_13	15	DO_29
DO_12	14	DO_28
DO_11	13	DO_27
DO_10	12	DO_26
DO_9	11	DO_25
DO_8	10	DO_24
DO_7	09	DO_23
DO_6	08	DO_22
DO_5	07	DO_21
DO_4	06	DO_20
DO_3	05	DO_19
DO_2	04	DO_18
DO_1	03	DO_17
DO_0	02	DO_16
BK1	01	

37-pin male D-Sub Connector

## Ordering Information

F-8041 CR	32-ch Isolated DO Redundant Module (RoHS)
-----------	---

## Accessories

CA-3710AM CR	DB37 Male to Female, with Molded Cable, 45°, 1M (RoHS)
DN-DIO-M CR	Universal termination board for digital I/O (RoHS)
DN-DO-16DR-A CR	Termination board for digital output with high EMS protection and removable relay (Ch0 ~ 15) (RoHS)
DN-DO-16DR-B CR	Termination board for digital output with high EMS protection and removable relay (Ch16 ~ 31) (RoHS)