



F-8040

32-ch Isolated DI Redundant Module

Features

- 32 digital input (sink/source) channels
- Digital filter (1~32767ms)
- Input channel LED indication
- Termination board break off detection
- Redundant switching time (<100 us)



Introduction

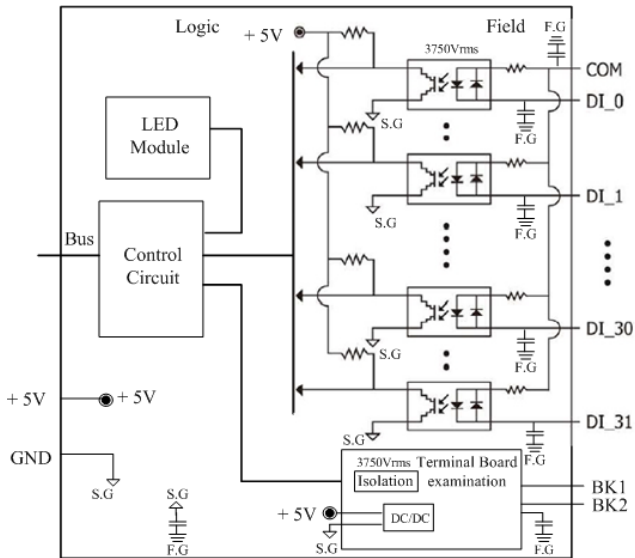
F-8040 has 32 digital input channels (sink/source mode). Users can use two input types according to different wiring methods. F-8040 provides LEDs to indicate the ON/OFF status of the input channels. It also provides 3000 VDC isolation between the power supply and the backplane bus, making it better able to prevent noise interference in industrial environments without affecting the iDCS-8000 system.

Specifications

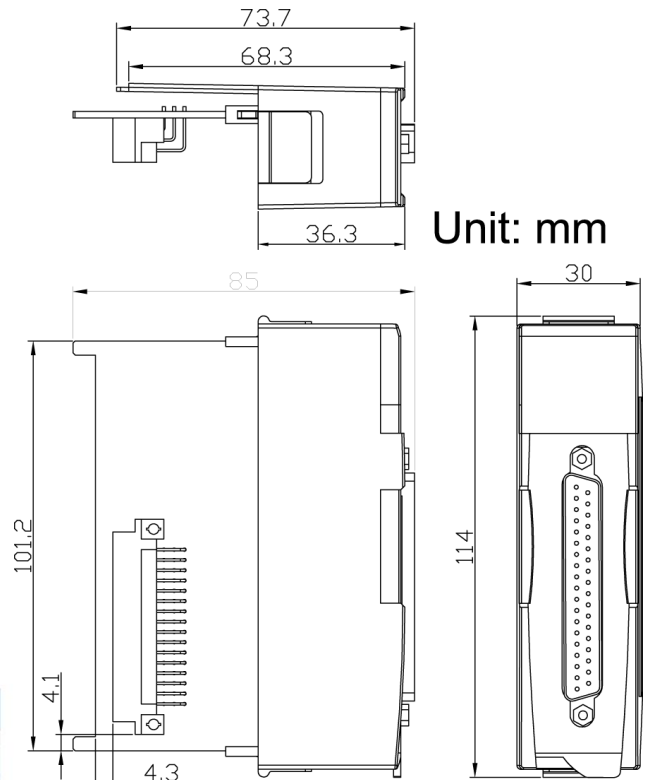
Feature	
Redundant	Yes (Switching time < 100us)
Termination board break off detection	Yes
Low Pass Filter	Yes (1ms~32767ms)
LED	
LED indicator	1 RUN, 1 ACT, 1 DUX
I/O indicator	32
Digital Input	
Number of channels	32
Type	Wet, Current Sinking / Sourcing
Rated voltage	+10 ~ +30 V _{DC}
Input voltage range '1'	18 DC ~ 30V _{DC}
Input voltage range '0'	11 VDC
Detection time	100 us
Input impedance	5.2KΩ, 0.25W
Normal input channel current	4.85mA @ 24V _{DC}
Max. input current	7.00mA @ 24V _{DC}
Isolation	3000 V _{DC}

Certification	
Emission	IEC 61000-6-4
Immunity	IEC 61000-6-2
	IEC 61000-4-3
	IEC 61000-4-4
	IEC 61000-4-6
	IEC 61000-4-9
	IEC 61000-4-10
	IEC 61000-4-12
General	
Termination Board	DN-DI-32DW, DN-DIO-M
Max. Power Consumption	1.8 W
Operating Temperature	-25 ~ 75 °C
Storage Temperature	-30 ~ 80 °C
Humidity	5 ~ 95 % RH, Non-condensing
Weight	300g
Dimensions (WxLxH)	30mm x 85mm x 115mm

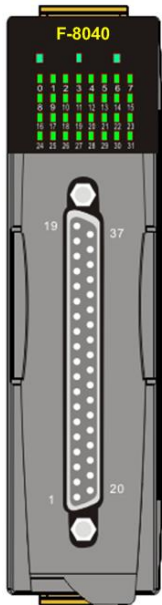
Internal I/O Structure



Dimension (unit: mm)



Pin Assignment



Pin Assignment Name	Terminal No.	Pin Assignment Name
DI.COM	19	37 BK2
X	18	36 X
DI_15	17	35 DI_31
DI_14	16	34 DI_30
DI_13	15	33 DI_29
DI_12	14	32 DI_28
DI_11	13	31 DI_27
DI_10	12	30 DI_26
DI_9	11	29 DI_25
DI_8	10	28 DI_24
DI_7	09	27 DI_23
DI_6	08	26 DI_22
DI_5	07	25 DI_21
DI_4	06	24 DI_20
DI_3	05	23 DI_19
DI_2	04	22 DI_18
DI_1	03	21 DI_17
DI_0	02	20 DI_16
BK1	01	

37-pin male D-Sub Connector

Ordering Information

F-8040 CR	32-ch Isolated DI Redundant Module (RoHS)
-----------	---

Accessories

CA-3710AM CR	DB37 Male to Female, with Molded Cable, 45°, 1M (RoHS)
DN-DIO-M CR	Universal termination board for digital I/O (RoHS)
DN-DI-32DW CR	Termination board for digital input with high EMS protection and removable fuses (RoHS)