

F-8028CV

8-ch Isolated AO Redundant Module

Features

- 8 current/voltage output channels
- Overrange output
- 16 bit D/A Converter
- Short circuit protection
- Open wire detection
- Termination board break off detection
- Redundant switching time (<100 us)



Introduction

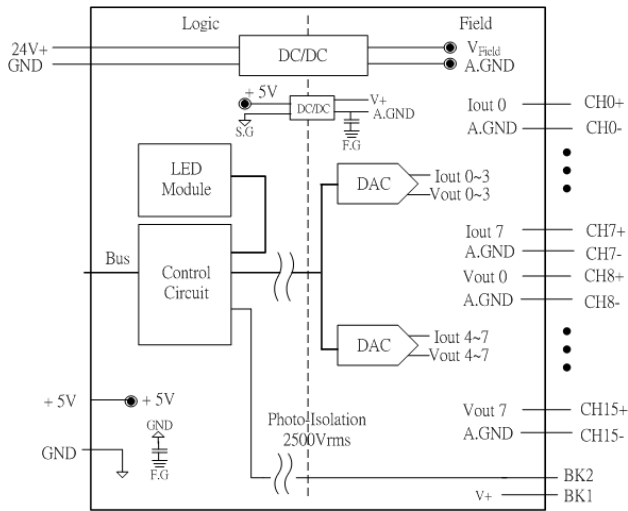
F-8028CV is an 8-channel module with 16-bit analog output and selectable voltage or current. Users can customize the power-on value and safety value through the setting software, with an error value of $\pm 0.05\%$ to achieve high-accuracy applications. It also provides 3000 V_{DC} isolation between the power supply and the backplane bus, making it better able to prevent noise interference in industrial environments without affecting the iDCS-8000 system.

Specifications

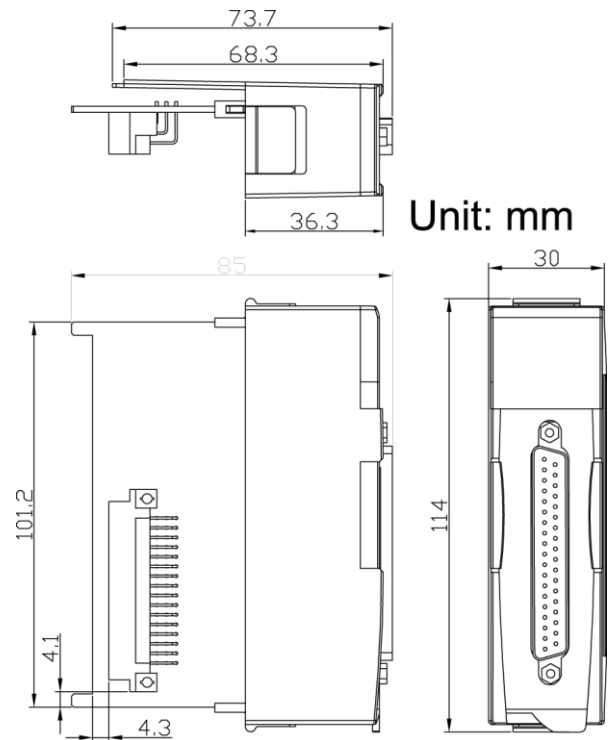
Feature	
Redundant	Yes (Switching time < 100us)
Termination board break off detection	Yes
Short Circuit Protection	Yes
Open Wire Detection	Yes (Type: 4~20 mA)
Power-On Value	Yes
Safety Value	Yes
LED indicator	1 RUN, 1 ACT, 1 DUX
Analog Output	
Number of channels	8
Type	0~20mA, 4~20mA (Current Sourcing), 0~5V, $\pm 5V$, 0~10V, $\pm 10V$
Range	0~20mA: +20% (0~24mA) 4~20mA: $\pm 25\%$ (0~24mA) 0~5V : +20% (0~6V) $\pm 5V$: $\pm 20\%$ ($\pm 6V$) 0~10V : +20% (0~12V) $\pm 10V$: $\pm 20\%$ ($\pm 12V$)
Resolution	16 bit
Accuracy	$\pm 0.05\%$ FSR
Zero Drift	$\pm 0.2 \mu V/^\circ C$
Span Drift	$\pm 25 \text{ ppm}/^\circ C$
Response Time	<200 μs
Voltage Output Capability	500 Ω
Current Load Resistance	750 Ω
Isolation	3000 V_{DC}

Certification	
Emission	IEC 61000-6-4
Immunity	IEC 61000-6-2
	IEC 61000-4-3
	IEC 61000-4-4
	IEC 61000-4-6
	IEC 61000-4-9
	IEC 61000-4-10
	IEC 61000-4-12
General	
Termination Board	DN-AIO-M
Max. Power Consumption	1.5 W
Operating Temperature	-25 ~ 75 $^\circ C$
Storage Temperature	-30 ~ 80 $^\circ C$
Humidity	5 ~ 95 % RH, Non-condensing
Weight	300g
Dimensions (WxLxH)	30mm x 85mm x 115mm

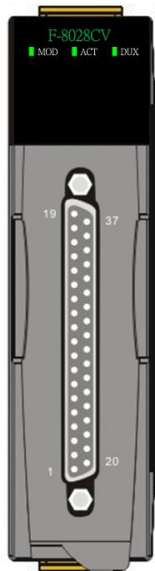
Internal I/O Structure



Dimension (unit: mm)



Pin Assignment



Pin Assignment Name	Terminal No.	Pin Assignment Name
X	19	37
X	18	36
CH15-	17	35
CH14-	16	34
CH13-	15	33
CH12-	14	32
CH11-	13	31
CH10-	12	30
CH9-	11	29
CH8-	10	28
CH7-	09	27
CH6-	08	26
CH5-	07	25
CH4-	06	24
CH3-	05	23
CH2-	04	22
CH1-	03	21
CH0-	02	20
BK1	01	20

37-pin male D-Sub Connector

Ordering Information

F-8028CV CR	8-ch Isolated AO Redundant Module (RoHS)
-------------	--

Accessories

CA-3710AM CR	DB37 Male to Female, with Molded Cable, 45°, 1M (RoHS)
DN-AIO-M CR	Universal termination board for analog I/O (RoHS)