



F-8028CH

8-ch Isolated AO Redundant Module with HART Master Interface

Features

- 8 current output channels
- Overrange output (0~24 mA)
- Built-in HART master interface
- 16 bit A/D Converter
- Termination board break off detection
- Redundant switching time (<100 us)



Introduction

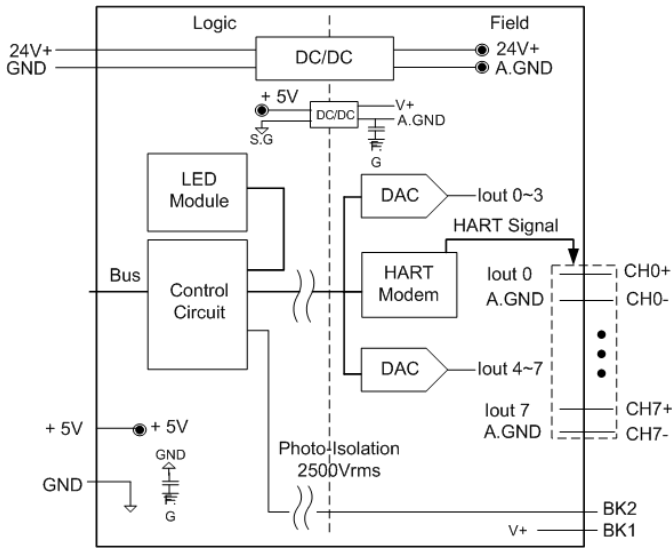
F-8028CH is a 16-bit analog output and provides 8-channel current output module. Users can customize the startup value and safety value through the setting software. It has an error value of $\pm 0.05\%$ to achieve high accuracy. application. In addition to current output, it also has a built-in HART master interface, which can remotely maintain equipment through HART. It also provides 3000 V_{DC} isolation between the power supply and the backplane bus, making it better able to prevent noise interference in industrial environments without affecting the iDCS-8000 system.

Specifications

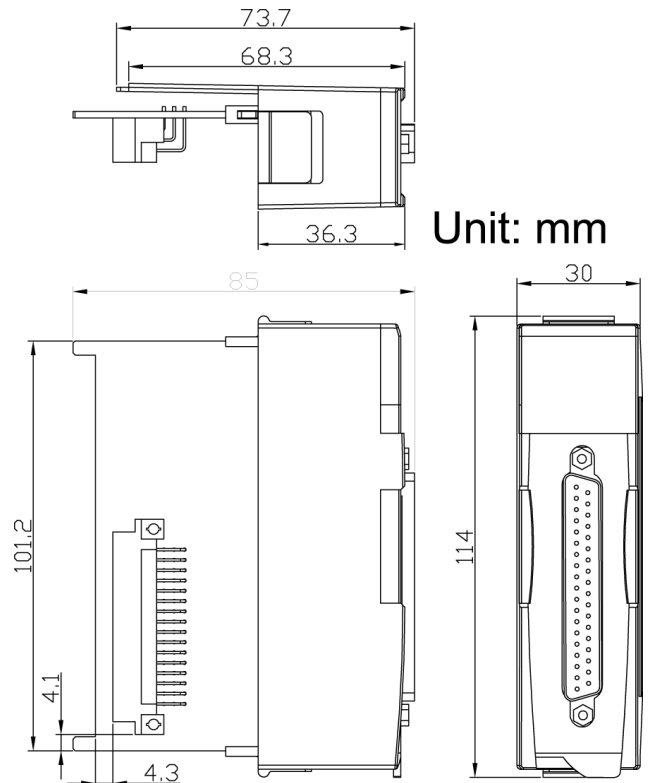
Feature	
Redundant	Yes (Switching time < 100us)
Termination board break off detection	Yes
Over-Current Protection	Yes
HART	Yes, Supports HART master
Power-on value	Yes
Safety value	Yes
LED indicator	1 RUN, 1 ACT, 1 DUX
Analog output	
Number of channels	8
Type	4~20 mA (Support $\pm 25\%$ overrange)
Max. current	24 mA
Resolution	16 bit
Accuracy	$\pm 0.05\%$ FSR
Zero Drift	$\pm 0.2 \mu\text{V}/^\circ\text{C}$
Span Drift	$\pm 25 \text{ ppm}/^\circ\text{C}$
Output Capability	0~750 Ω
Date Range	-2500~12500 (0~24 mA)
Isolation	3000 V _{DC}

Certification	
Emission	IEC 61000-6-4
Immunity	IEC 61000-6-2
	IEC 61000-4-3
	IEC 61000-4-4
	IEC 61000-4-6
	IEC 61000-4-9
	IEC 61000-4-10
IEC 61000-4-12	
General	
Termination Board	DN-AIO-M
Max. Power Consumption	7.5 W
Operating Temperature	-25 ~ 75 $^\circ\text{C}$
Storage Temperature	-30 ~ 80 $^\circ\text{C}$
Humidity	5 ~ 95 % RH, Non-condensing
Weight	300g
Dimensions (WxLxH)	30mm x 85mm x 115mm

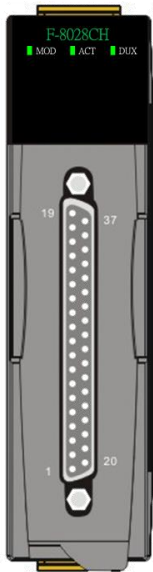
Internal I/O Structure



Dimension (unit: mm)



Pin Assignment



Pin Assignment Name	Terminal No.	Pin Assignment Name
X	19	37
X	18	36
X	17	35
X	16	34
X	15	33
X	14	32
X	13	31
X	12	30
X	11	29
X	10	28
CH7-	09	27
CH6-	08	26
CH5-	07	25
CH4-	06	24
CH3-	05	23
CH2-	04	22
CH1-	03	21
CH0-	02	20
BK1	01	

37-pin male D-Sub Connector

Ordering Information

F-8028CH CR	8-ch Isolated AO Redundant Module with HART Master Interface (RoHS)
-------------	---

Accessories

CA-3710AM CR	DB37 Male to Female, with Molded Cable, 45°, 1M (RoHS)
DN-AIO-M CR	Universal termination board for analog I/O (RoHS)