

■ 特色

- 32 個 DI 通道
- 端子板斷線檢測
- 冗餘設計



DN-DI-32DW

Termination board for digital input with high EMS protection and removable fuses

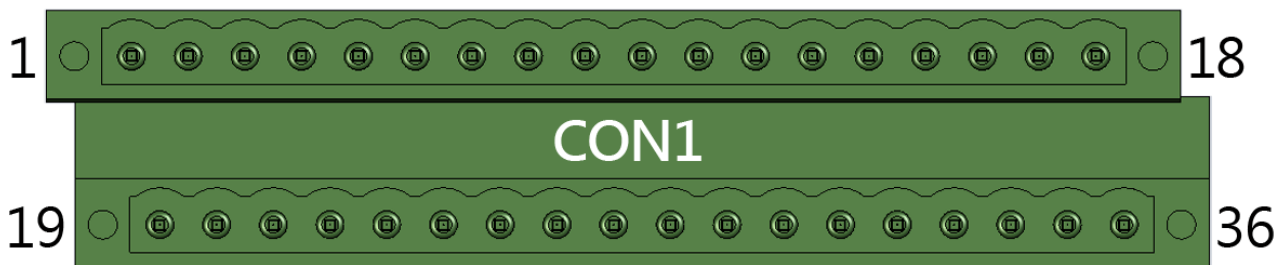
■ 介紹

DN-DI-32DW 是支援 EMS 保護的端子板，具備 sink/source 連接，提供全方面的應用能力，乾 / 濕接點亦能滿足大部分的應用需求。DN-DI-32DW 每通道皆配置一個 COM 接腳，使用者不需再接端子排來擴充 COM。此外，DN-DI-32DW 配備可替換保險絲，提供局部的過電壓和即時保護功能。

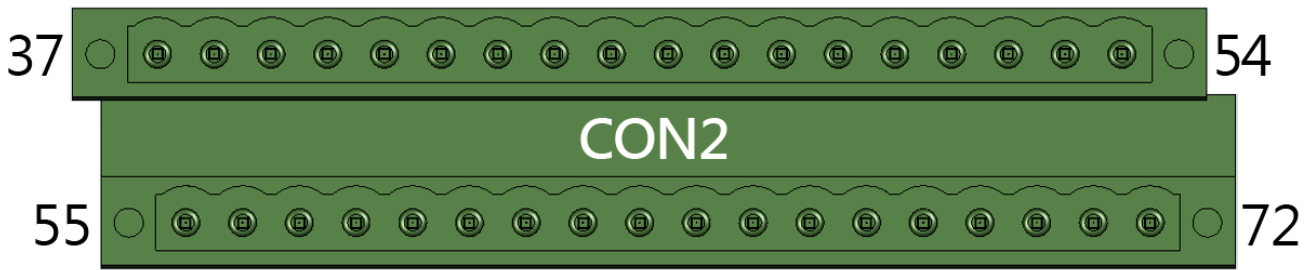
■ 規格

| 數位輸入 | | |
|--------|--|-------|
| 通道數 | 32 | |
| 種類 | Wet contact (Current sinking/sourcing) Dry contact (Current sinking/sourcing) | |
| 保險絲額定值 | 350mA | |
| 瞬態保護 | Peak Power Dissipation | 3000W |
| | Peak Forward Surge Current | 250A |
| 一般 | | |
| 尺寸 | 126.6 x 274.6 x 25.5 mm (寬 x 長 x 高) | |
| 安裝 | 35 mm DIN Rail, Wall | |
| 操作溫度 | -25 ~ 75 °C | |
| 濕度 | 相對濕度 5 ~ 95 %，無結露 | |

■ 接腳配置



| | | | | | | | | | | | | | | | | | |
|----|-----|-----|-----|-----|-----|-----|-----|-----|------|-----|------|------|------|------|------|------|----|
| 1 | 2 | 3 | 4 | 5 | 6 | 7 | 8 | 9 | 10 | 11 | 12 | 13 | 14 | 15 | 16 | 17 | 18 |
| NC | DI0 | DI1 | DI2 | DI3 | DI4 | DI5 | DI6 | DI7 | DI_8 | DI9 | DI10 | DI11 | DI12 | DI13 | DI14 | DI15 | NC |
| 19 | 20 | 21 | 22 | 23 | 24 | 25 | 26 | 27 | 28 | 29 | 30 | 31 | 32 | 33 | 34 | 35 | 36 |
| NC | COM | COM | COM | COM | COM | COM | COM | COM | COM | COM | COM | COM | COM | COM | COM | COM | NC |



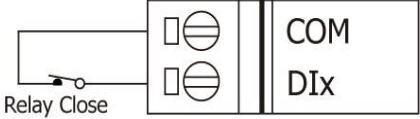
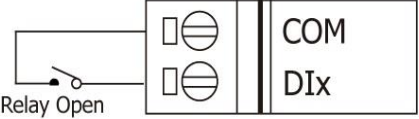
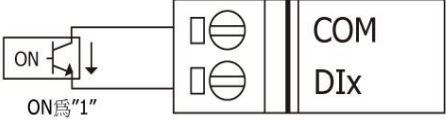
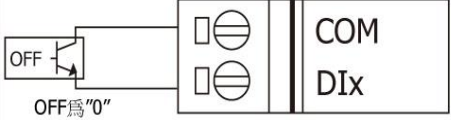
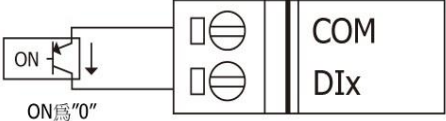
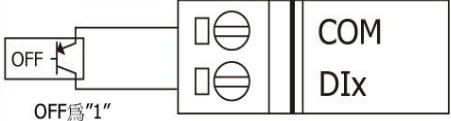
| | | | | | | | | | | | | | | | | | |
|----|------|------|------|------|------|------|------|------|------|------|------|------|------|------|------|------|----|
| 37 | 38 | 39 | 40 | 41 | 42 | 43 | 44 | 45 | 46 | 47 | 48 | 49 | 50 | 51 | 52 | 53 | 54 |
| NC | DI16 | DI17 | DI18 | DI19 | DI20 | DI21 | DI22 | DI23 | DI24 | DI25 | DI26 | DI27 | DI28 | DI29 | DI30 | DI31 | NC |
| 55 | 56 | 57 | 58 | 59 | 60 | 61 | 62 | 63 | 64 | 65 | 66 | 67 | 68 | 69 | 70 | 71 | 72 |
| NC | COM | COM | COM | COM | COM | COM | COM | COM | COM | COM | COM | COM | COM | COM | COM | COM | NC |

■ 接線圖

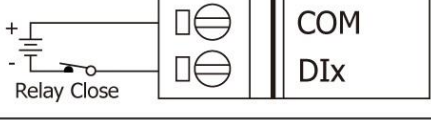
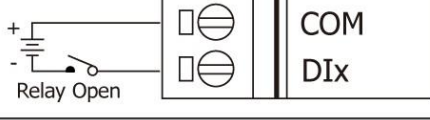
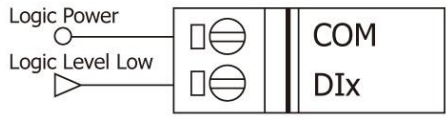
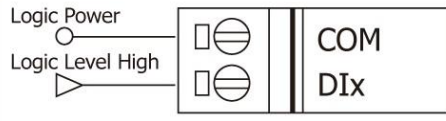
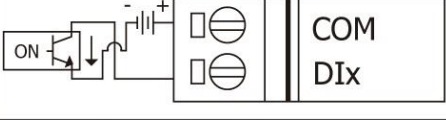
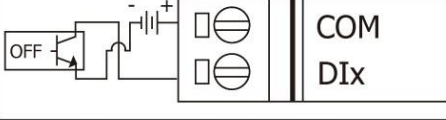
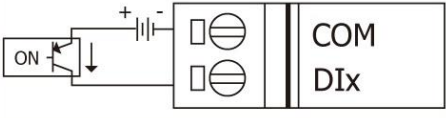
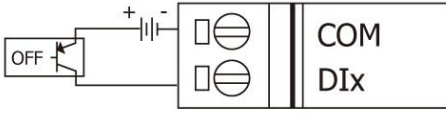
- Dry contact (Current sourcing)

| Input Type | On State, LED On Readback as 1 | Off State, LED Off Readback as 0 |
|----------------|-----------------------------------|-------------------------------------|
| Relay Contact | Relay On | Relay Off |
| | TTL/CMOS Logic | |
| TTL/CMOS Logic | Voltage < 1V | Voltage > 3.5V |
| | Open Collector | Open Collector On |

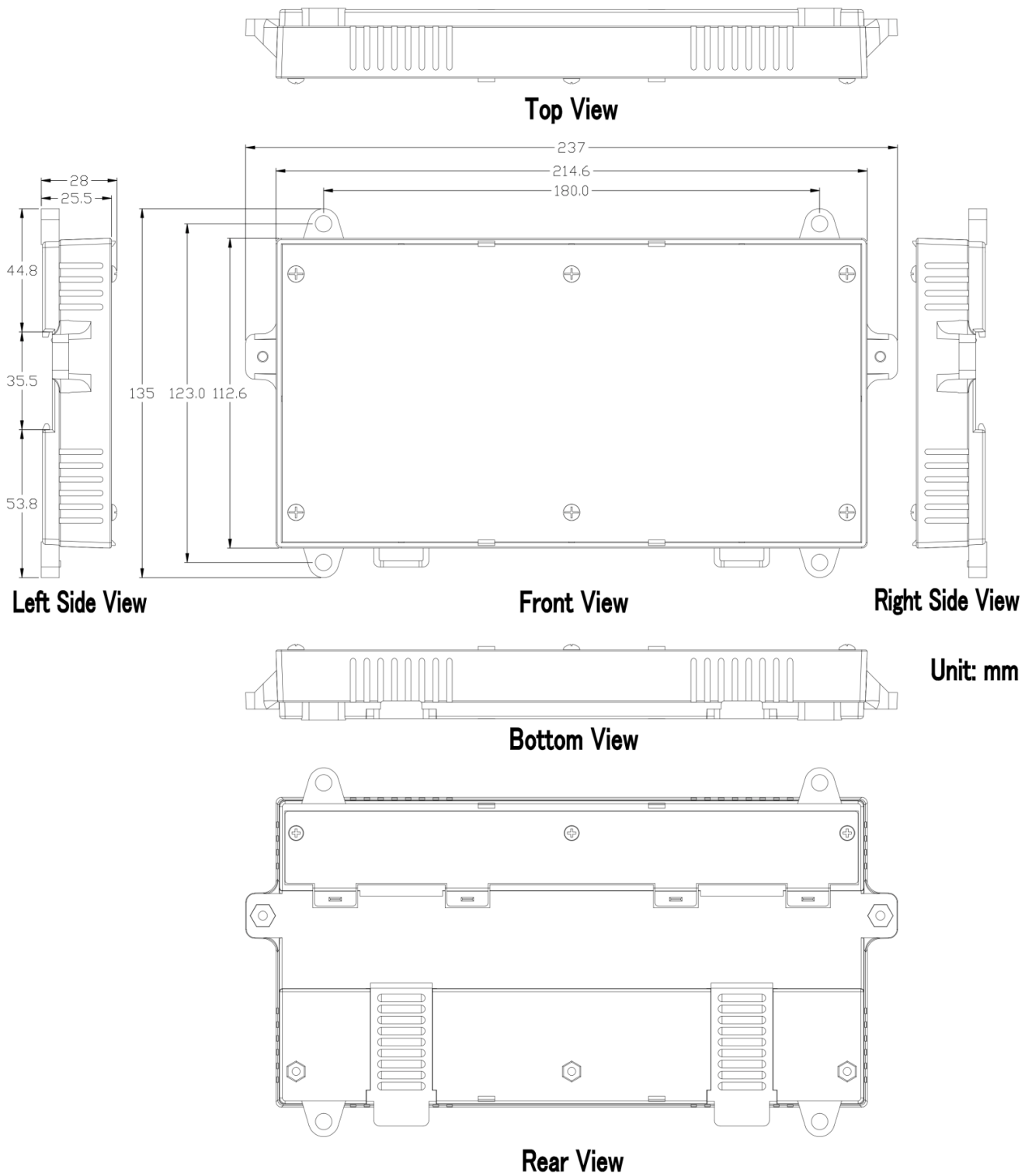
- Dry contact (Current sinking)

| Input Type | ON State LED ON Readback as 0 | OFF State LED OFF Readback as 1 |
|---------------|--|--|
| Relay Contact | Relay ON  | Relay Off  |
| | NPN Output  | Open Collector Off  |
| PNP Output | Open Collector On  | Open Collector Off  |

- Wet contact (Current sinking / sourcing)

| Input Type | ON State LED ON Readback as 0 | OFF State LED OFF Readback as 1 |
|---------------|---|---|
| Relay Contact | Relay ON  | Relay Off  |
| | TTL/CMOS Logic Voltage > 3.5V Logic Power Logic Level Low  | Voltage < 1V Logic Power Logic Level High  |
| NPN Output | Open Collector On  | Open Collector Off  |
| | PNP Output Open Collector On  | Open Collector Off  |

■ 尺寸 (單位:毫米)



■ 訂購資訊

| | |
|---------------|---|
| DN-DI-32DW CR | Termination board for digital input with high EMS protection and removable fuses (RoHS) |
|---------------|---|