

### Feature

- 32 Digital input channels
- Termination board break off detection
- Redundant



## DN-DI-32DW

Termination board for digital input with high EMS protection and removable fuses

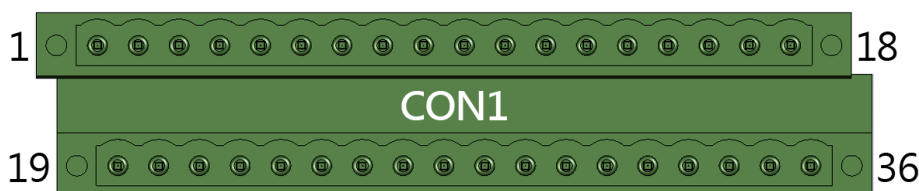
### Introduction

DN-DI-32DW is a terminal board that supports EMS protection. It has sink/source connections and provides a full range of application capabilities. Dry/wet contacts can also meet most application requirements. Each channel of DN-DI-32DW is equipped with a COM pin, so users do not need to connect external terminal blocks to expand COM. In addition, the DN-DI-32DW is equipped with replaceable fuses to provide localized overvoltage and instant protection.

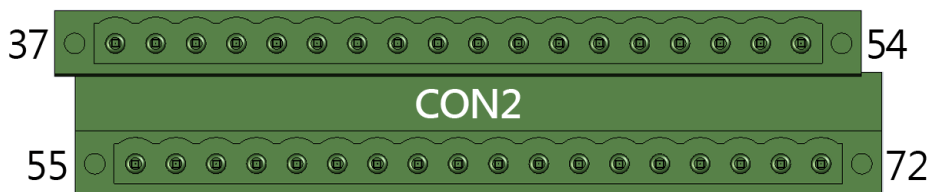
### Specifications

Digital input		
Number of channels	32	
Type	Wet contact (Current sinking/sourcing) Dry contact (Current sinking/sourcing)	
Fuse ratings	350mA for each channel (With physical indicator)	
Transient protection	Peak Power Dissipation	3000W
	Peak Forward Surge Current	250A
General		
Dimensions	126.6 x 274.6 x 25.5 mm (W x L x H)	
Mounting	35 mm DIN Rail, Wall	
Operating Temperature	-25 ~ 75 °C	
Humidity	5 ~ 95 % RH, Non-condensing	

### Pin Assignment



1	2	3	4	5	6	7	8	9	10	11	12	13	14	15	16	17	18
NC	DI0	DI1	DI2	DI3	DI4	DI5	DI6	DI7	DI_8	DI9	DI10	DI11	DI12	DI13	DI14	DI15	NC
19	20	21	22	23	24	25	26	27	28	29	30	31	32	33	34	35	36
NC	COM	COM	COM	COM	COM	COM	COM	COM	COM	COM	COM	COM	COM	COM	COM	COM	NC



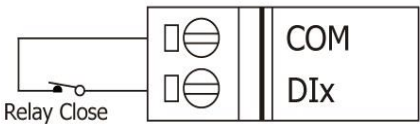
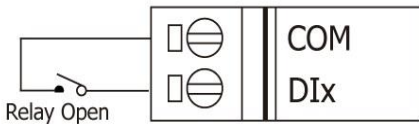
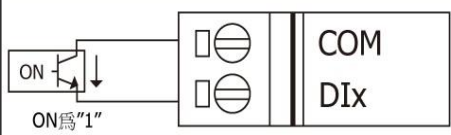
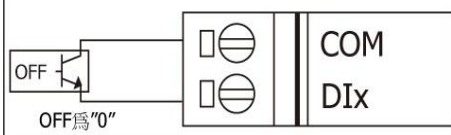
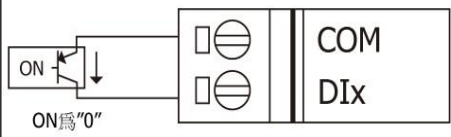
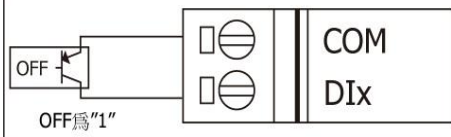
37	38	39	40	41	42	43	44	45	46	47	48	49	50	51	52	53	54
NC	DI16	DI17	DI18	DI19	DI20	DI21	DI22	DI23	DI24	DI25	DI26	DI27	DI28	DI29	DI30	DI31	NC
55	56	57	58	59	60	61	62	63	64	65	66	67	68	69	70	71	72
NC	COM	COM	COM	COM	COM	COM	COM	COM	COM	COM	COM	COM	COM	COM	COM	COM	NC

### ■ Wire Connections

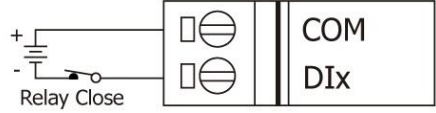
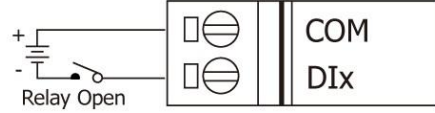
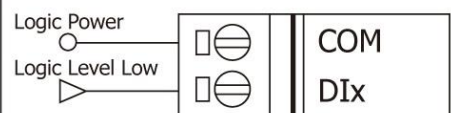
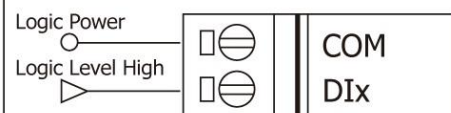
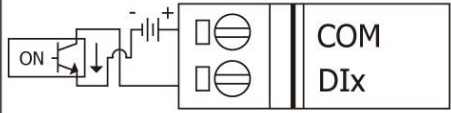
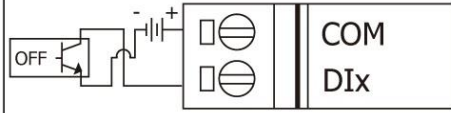
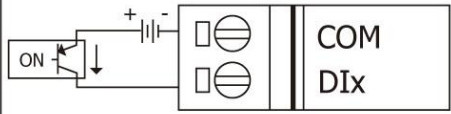
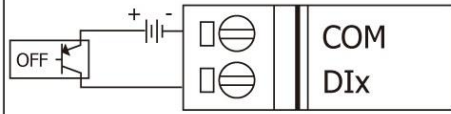
- Dry contact (Current sourcing)

Input Type	On State, LED On Readback as 1	Off State, LED Off Readback as 0
Relay Contact	Relay On 	Relay Off 
	TTL/CMOS Logic Voltage < 1V 	TTL/CMOS Logic Voltage > 3.5V 
Open Collector	Open Collector On 	Open Collector Off 

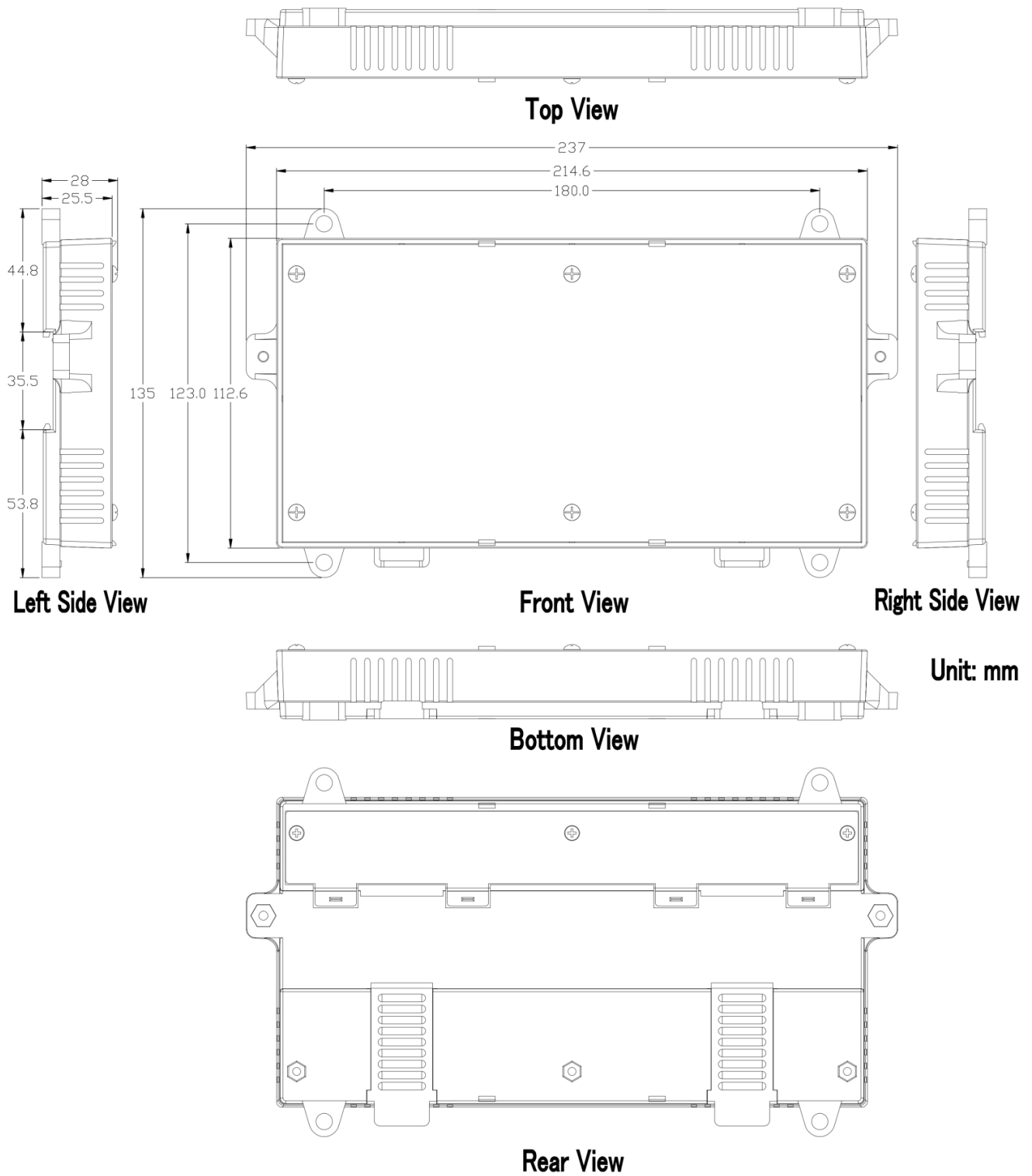
- Dry contact (Current sinking)

Input Type	ON State LED ON Readback as 0	OFF State LED OFF Readback as 1
Relay Contact	Relay ON 	Relay Off 
	NPN Output 	Open Collector Off 
PNP Output	Open Collector On 	Open Collector Off 

- Wet contact (Current sinking / sourcing)

Input Type	ON State LED ON Readback as 0	OFF State LED OFF Readback as 1
Relay Contact	Relay ON 	Relay Off 
	TTL/CMOS Logic Voltage > 3.5V Logic Power Logic Level Low 	Voltage < 1V Logic Power Logic Level High 
NPN Output	Open Collector On 	Open Collector Off 
	PNP Output Open Collector On 	Open Collector Off 

■ Dimension (unit: mm)



■ Ordering Information

DN-DI-32DW CR	Termination board for digital input with high EMS protection and removable fuses (RoHS)
---------------	---