

### Feature

- 8 analog input channels
- Termination board break off detection
- Redundant



## DN-AII-08

Termination board for current input with EMS protection and over-current protected and isolated passive loop power

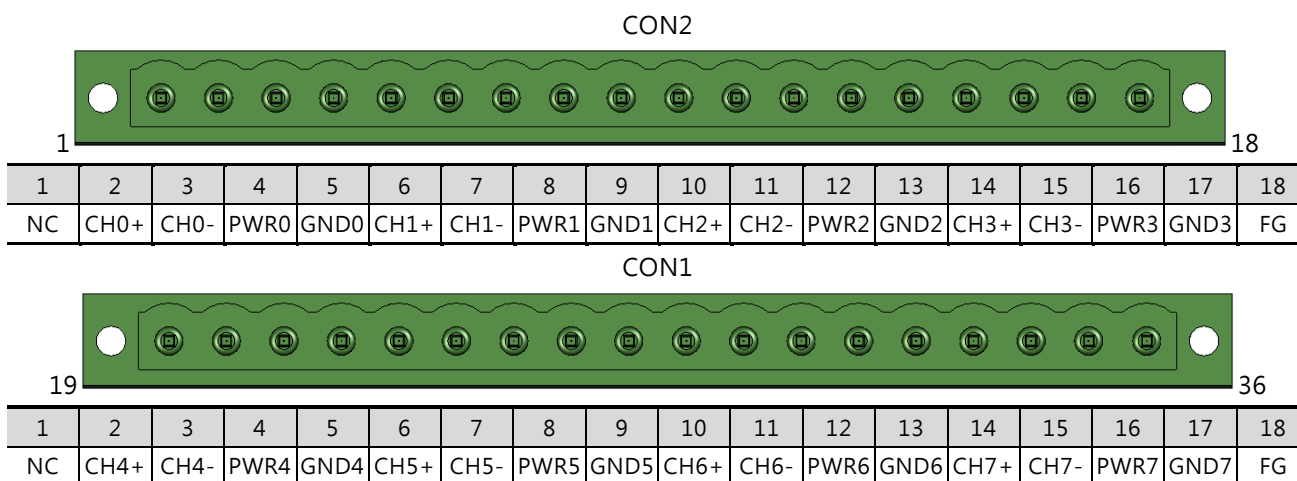
### Introduction

The DN-AII-08 is a termination board for analog input module. This termination board not only measures analog signal but also provides isolated power source for the field devices. In other words, this board supports both active and passive loop. Besides, this board also has short circuit protection for the isolated power, the loop current will be limited when circuit is shorted or the current is too large. Moreover, the removeable fuse can protect loop device when high inrush current occur, these fuses also have physical indicator when broken..

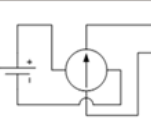
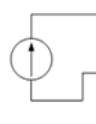
### Specifications

Current Input	
Number of channels	8 (Support active and passtive loop wiring connection)
Isolated power rating	1W with current limited protection
Fuse	320mA removeable and physical indicator fuse
General	
Dimensions	135 x 214.6 x 25.5 mm (W x L x H)
Mounting	35 mm DIN Rail, Wall
Operating Temperature	-25 ~ 75 °C
Humidity	5 ~ 95 % RH, Non-condensing

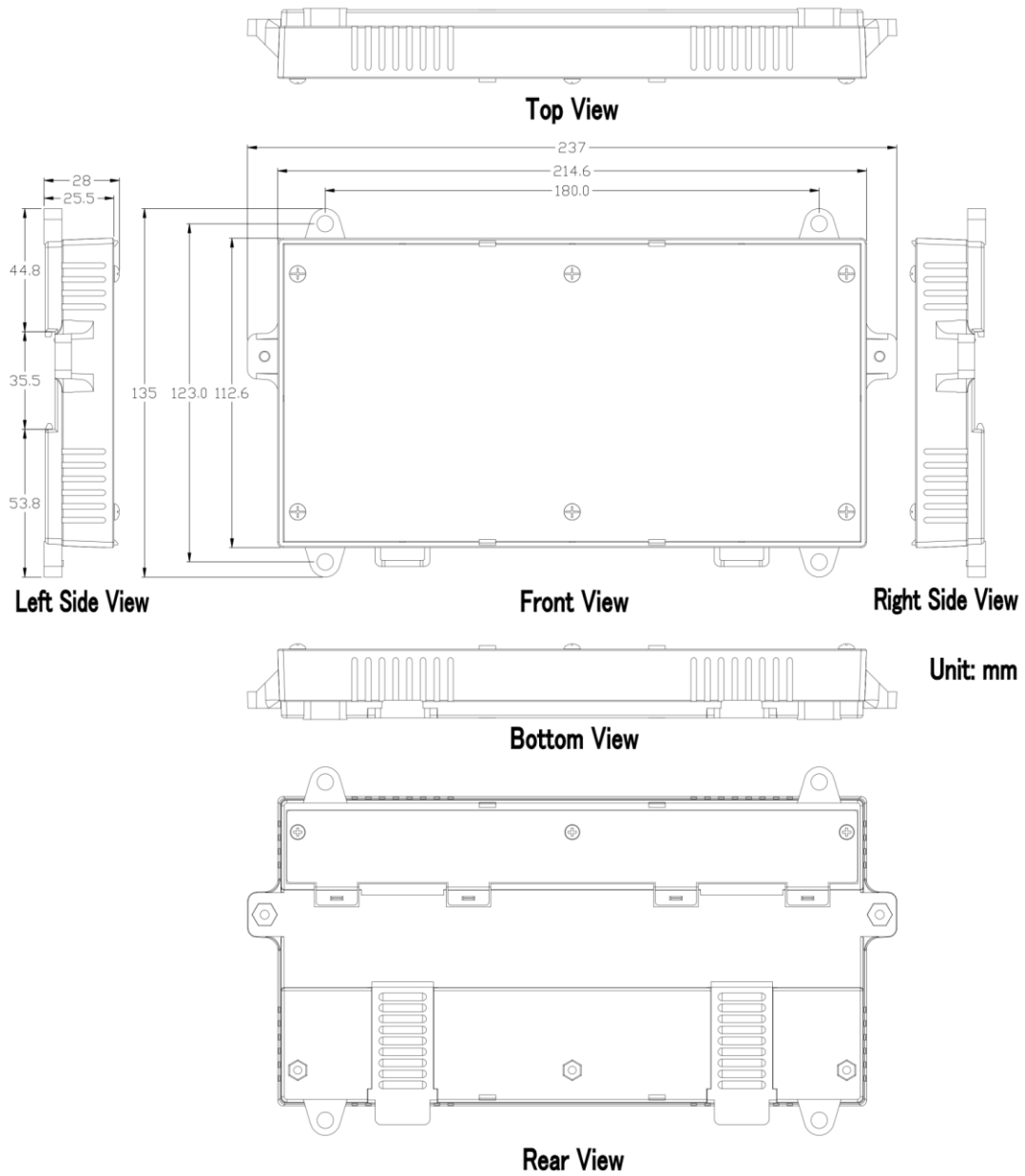
### Pin Assignment



## Wire Connections

Input Type	Input				
4-Wire Transmitter (Active)	 <table border="1"> <tr><td>CHx+</td></tr> <tr><td>CHx-</td></tr> <tr><td>PWRx</td></tr> <tr><td>GNDx</td></tr> </table>	CHx+	CHx-	PWRx	GNDx
CHx+					
CHx-					
PWRx					
GNDx					
2-Wire Transmitter (Passive)	 <table border="1"> <tr><td>CHx+</td></tr> <tr><td>CHx-</td></tr> <tr><td>PWRx</td></tr> <tr><td>GNDx</td></tr> </table>	CHx+	CHx-	PWRx	GNDx
CHx+					
CHx-					
PWRx					
GNDx					

## Dimension (unit: mm)



## Ordering Information

DN-AII-08 CR	Termination board for current input with EMS protection and over-current protected and isolated passive loop power (RoHS)
--------------	---