



M-7064

M-7064D

8-ch Signal Relay Module

Features

- 8 Form A Signal Relay Outputs
- Configurable Power-on Value and Safe Value Settings
- Built-in Dual Watchdog



Introduction

The M-7064/M-7064D provides 8 Form A signal relay output channels. The M-7064D includes 8 LED indicators for channel status monitoring. The M-7064(D) supports Modbus RTU and DCON protocols, which can be configured via software. There are also options for configuring power-on and safe values. 8 kV ESD, 4 kV EFT and 3 kV surge protection are also provided to enhance noise protection capabilities in industrial environments, making The M-7064(D) an ideal solution for small signal-switching applications.

System Specifications

Model	M-7064	M-7064D
CPU Module		
Watchdog Timer	Module, Communication (Programmable)	
Display		
Type	-	I/O LED Indicator
Isolation		
Intra-module Isolation	2000 VDC	
EMS Protection		
EFT (IEC 61000-4-4)	±4 kV for Power Line	
ESD (IEC 61000-4-2)	±8 kV Contact for Each Terminal ±16 kV Air for Random Point	
Surge (IEC 61000-4-5)	±3 kV for Power Line	
LED Indicators		
Status	1 x Power and Communication	8 x Relay Output
COM Ports		
Ports	1 x RS-485	
Baud Rate	1200 ~ 115200 bps	
Data Format	(N, 8, 1), (N, 8, 2), (E, 8, 1), (O, 8, 1)	
Protocol	Modbus RTU, DCON	
Power		
Reverse Polarity Protection	Yes	
Input Range	+10 ~ +30 VDC	
Consumption	1.5 W (Max.)	1.6 W (Max.)
Mechanical		
Dimensions (mm)	72 x 123 x 35 (W x L x H)	
Installation	DIN-Rail Mounting	

Applications

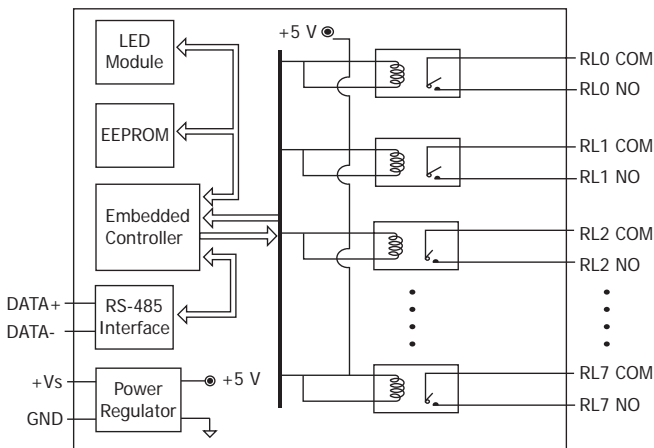
- Building Automation
- Factory Automation
- Machine Automation
- Remote Maintenance
- Remote Diagnosis
- Testing Equipment

I/O Specifications

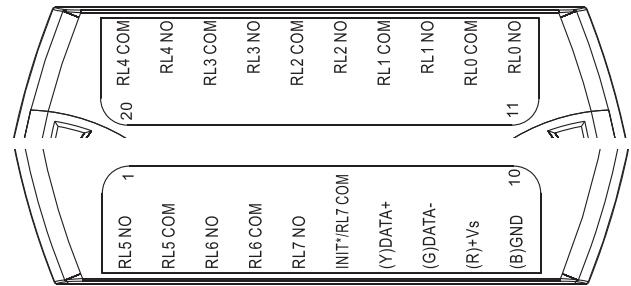
Model	M-7064	M-7064D
Relay Output		
Channels	8 (Form A)	
Type	Signal Relay	
Contact Material	Silver Nickel, Gold-covered	
Contact Rating	2 A @ 30 VDC 0.24 A @ 220 VDC 0.25 A @ 250 VAC	
Operate Time	3 ms (typical)	
Release Time	4 ms (typical)	
Electrical Endurance	2 x 10 ⁵ ops.	
Mechanical Endurance	1 x 10 ⁸ ops.	
Power on Value	Programmable	
Safe Value	Programmable	

Environment	
Operating Temperature	-25 ~ +75°C
Storage Temperature	-40 ~ +85°C
Humidity	10 ~ 95% RH, Non-condensing

Internal I/O Structure



Pin Assignments



Wire Connections

Output Type		ON State Readback as 1	OFF State Readback as 0
Relay Output	RL0 ~ RL6		
	RL7	JP5 INIT (Default)	JP5 RL7 COM

Ordering Information

M-7064-G CR	8-ch Signal Relay Module using DCON and Modbus Protocols (Gray Cover) (RoHS)
M-7064D-G CR	8-ch Signal Relay Module with LED Display, using DCON and Modbus Protocols (Gray Cover) (RoHS)

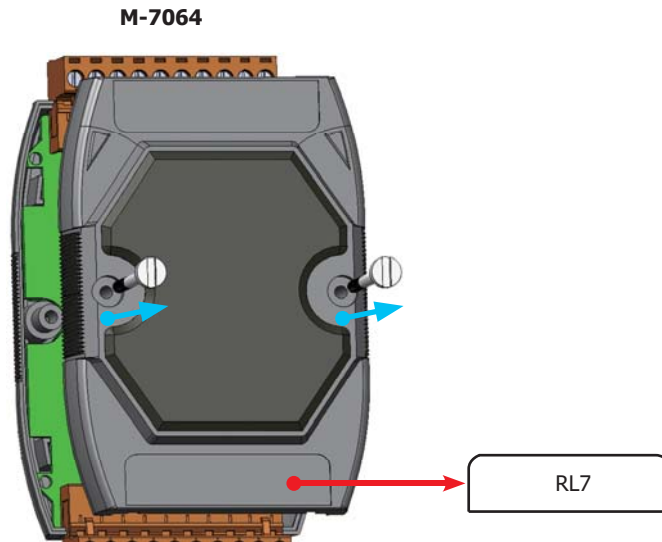
Accessories

tM-7520U CR	Tiny Isolated RS-232 to RS-485 Converter (RoHS)
tM-7561 CR	Tiny USB to Isolated RS-485 Converter with CA-USB18 Cable (RoHS)
I-7514U CR	Isolated 4-channel RS-485 Repeater/Hub/Splitter (Gray Cover) (RoHS)
SG-3000 Series	Signal Conditioning Modules for Thermocouple, RTD, DC Voltage, DC Current and Power Input Transformers

Jumper

Notice:

1. Remove the top cover of the module before adjusting the jumper. Additionally, some modules may have two screws on the back cover.



2. Users can locate the Jx/JPx jumpers on the board by checking the I/O labels on the cover.

Channel	RL7 NO	RL7 COM
Jumper	JP5	

