



**I-8065**

**I-8065-G**

8-ch AC SSR Output Module

**Features**

- 8-channel AC SSR Output
- Form A AC Solid State Relay Output
- ±4 kV ESD Protection



**Introduction**

The I-8065 module provides 8 DC Solid State Relay (SSR) Output channels. In comparison to electromechanical relays, SSR technology provides a faster response time and greater electrical endurance. The integration of DC SSR technology also eliminates the potential for arcing, bouncing, and switching noise.

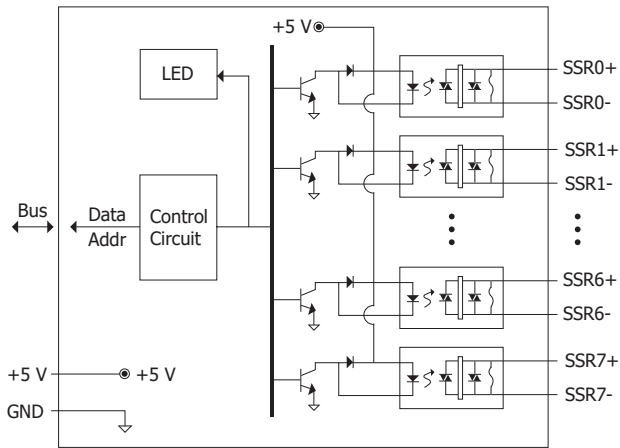
**System Specifications**

LED Indicators/Display	
System LED Indicators	1 LED as Power Indicator
I/O LED Indicators	8 LEDs as Power Relay Indicators
Isolation	
Intra-module Isolation, Field-to-Logic	500 VDC
EMS Protection	
ESD (IEC 61000-4-2)	±4 kV Contact for each Terminal
Power	
Power Consumption	0.9 W max.
Mechanical	
Dimensions (W x L x H)	31 mm x 116 mm x 88 mm
Environment	
Operating Temperature	-25 ~ +75 °C
Storage Temperature	40 ~ +85 °C
Humidity	10 ~ 90% RH, Non-condensing

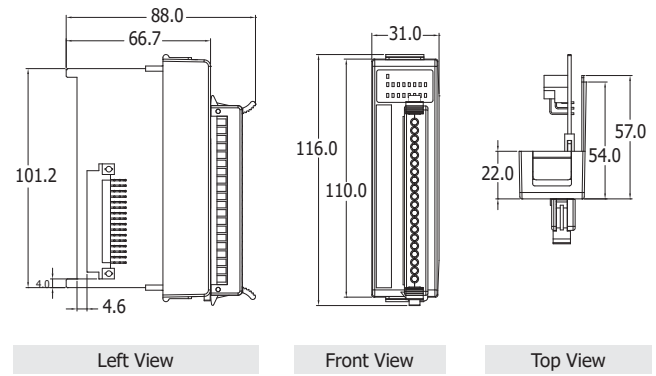
**I/O Specifications**

Relay Output	
Channels	8 (Form A, Normal Open)
Type	AC SSR
Contact Rating	1 A @ 280 VAC
Max. Operate Time	1 ms
Max. Release Time	1/2 Cycle + 1 ms
Surge Strength	2000 Vrms

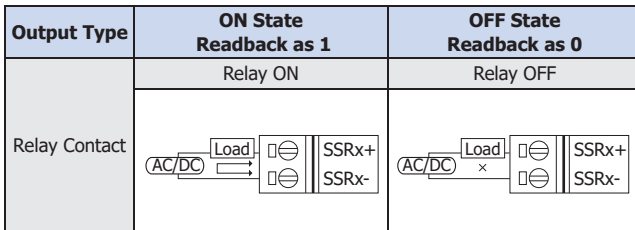
## Internal I/O Structure



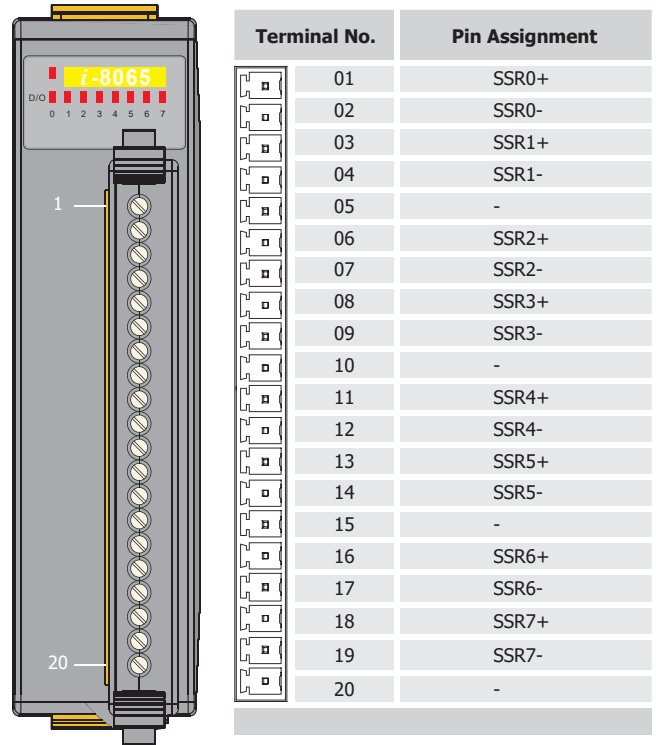
## Dimensions (Units: mm)



## Wire Connections



## Pin Assignments



## Ordering Information

<b>I-8065 CR</b>	8-ch Form A AC SSR Output Module (Blue Cover) (RoHS)
<b>I-8065-G CR</b>	8-ch Form A AC SSR Output Module (Gray Cover) (RoHS)