



**I-8052**

**I-8052-G**

8-ch Isolated DI Module

**Features**

- 8-channel Isolated Digital Input
- 2 kV Channel-to-Channel Isolation
- Sink- or Source-type Input
- ±4 kV ESD Protection



**Introduction**

The I-8052 module offers 8 fully independent differential Digital Input channels that feature 2 kV channel-to-channel Photocouple isolation. In addition, either sink- or source-type input can be selected via the wire connections. The I-8052 also includes 8 LED indicators that can be used to monitor the status of the Digital Input channels.

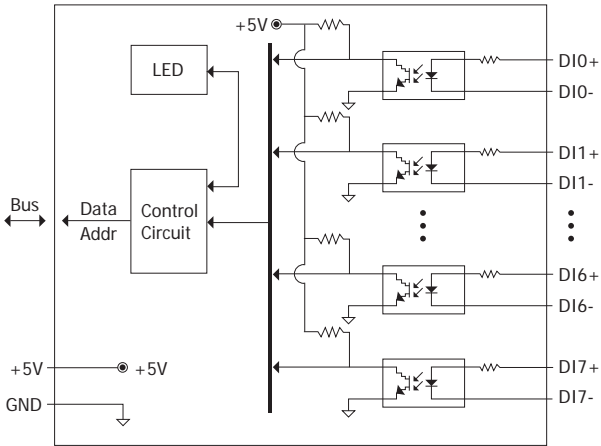
**System Specifications**

LED Indicators/Display	
System LED Indictors	1 LED as Power Indicator
I/O LED Indicators	8 LEDs as Digital Input Indicators
Isolation	
Intra-module Isolation, Field-to-Logic	5000 Vdc
EMS Protection	
ESD (IEC 61000-4-2)	±4 kV Contact for each Terminal
Power	
Power Consumption	0.3 W max.
Mechanical	
Dimensions (W x L x H)	31 mm x 116 mm x 88 mm
Environment	
Operating Temperature	-25 ~ +75 °C
Storage Temperature	-40 ~ +85 °C
Humidity	10 ~ 90% RH, Non-condensing

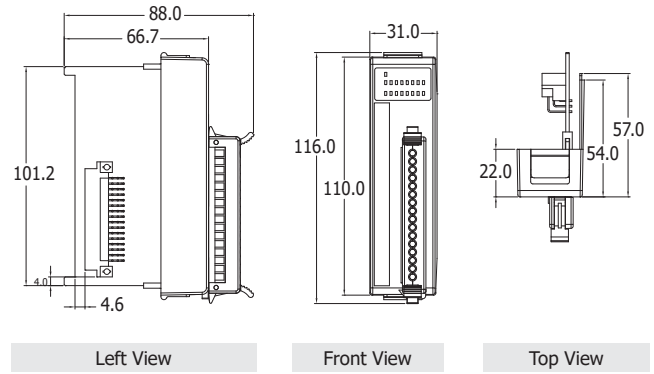
**I/O Specifications**

Digital Input	
Channels	8 Differential
Type	Wet Contact
Sink/Source (NPN/PNP)	Sink, Source
On Voltage Level	+3.5 ~ +30 VDC
Off Voltage Level	+1 VDC max.
Input Impedance	3 KΩ, 0.25 W

## Internal I/O Structure



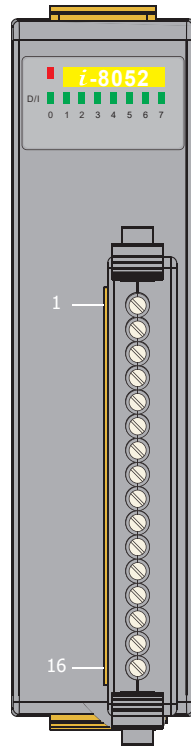
## Dimensions (Units: mm)



## Wire Connections

Input Type	ON State LED ON Readback as 1	OFF State LED OFF Readback as 0
Relay Contact	Relay ON 	Relay OFF 
TTL/CMOS Logic	Voltage > 10 V Logic Power Logic Level Low 	Voltage < 4 V Logic Power Logic Level High 
Open Collector	Open Collector ON 	Open Collector OFF 

## Pin Assignments



Terminal No.	Pin Assignment
01	DI0+
02	DI0-
03	DI1+
04	DI1-
05	DI2+
06	DI2-
07	DI3+
08	DI3-
09	DI4+
10	DI4-
11	DI5+
12	DI5-
13	DI6+
14	DI6-
15	DI7+
16	DI7-

## Ordering Information

<b>I-8052 CR</b>	8-ch Isolated DI (Wet, 10 ~ 30 VDC) Module (Blue Cover) (RoHS)
<b>I-8052-G CR</b>	8-ch Isolated DI (Wet, 10 ~ 30 VDC) Module (Gray Cover) (RoHS)