



I-8051

I-8051-G

16-ch Non-isolated DI Module

Features

- 16-channel Digital Input
- Dry Contact Digital Input Channels
- All Channels Non-isolated
- ±4 kV ESD Protection



Introduction

The I-8051 is a 16-channel Digital Input module for dry contact wire connections with an effective distance of up to 100 meters. All channels 4 kV ESD protection is provided. The I-8051 also includes 16 LED indicators that can be used to monitor the status of the Digital Input channels.

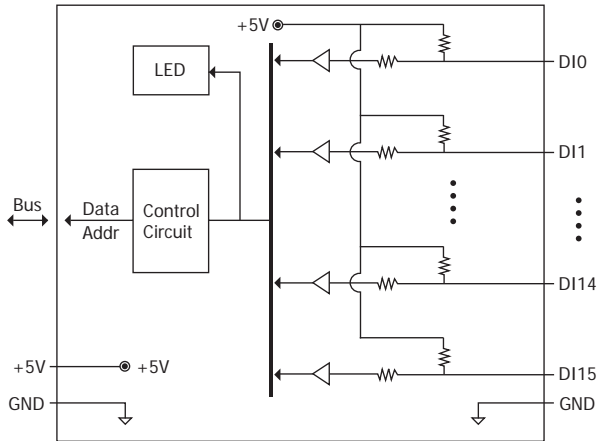
System Specifications

LED Indicators/Display	
System LED Indicator	1 LED as Power/Communication Indicator
I/O LED Indicator	16 LEDs as Digital Input Indicators
EMS Protection	
ESD (IEC 61000-4-2)	±4 kV Contact for Each Terminal
Power	
Power Consumption	1.1 W max.
Mechanical	
Dimensions (W x L x H)	31 mm x 116 mm x 88 mm
Environment	
Operating Temperature	-25 ~ +75 °C
Storage Temperature	-40 ~ +85 °C
Humidity	10 ~ 90% RH, Non-condensing

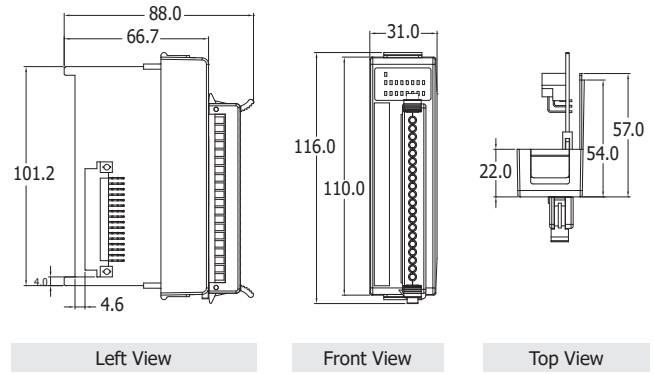
I/O Specifications

Digital Input		
Channels	16, Non-isolated	
Type	Dry Contact	
Sink/Source (NPN/PNP)	Source	
Dry Contact	On Voltage Level	Connect to GND
	Off Voltage Level	Open
	Effective Distance	100 m max.

Internal I/O Structure



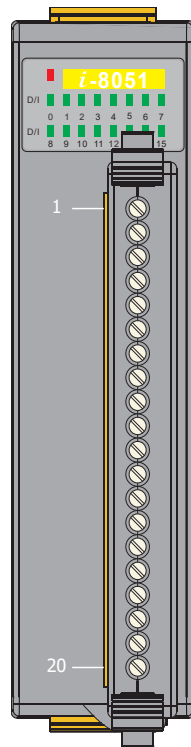
Dimensions (Units: mm)



Wire Connections

Input Type	ON State LED ON Readback as 0	OFF State LED OFF Readback as 1
Relay Contact	Relay ON 	Relay OFF
TTL/CMOS Logic	Voltage < 1 V 	Voltage > 3.5 V
Open Collector	Open Collector ON 	Open Collector OFF

Pin Assignments



Terminal No.	Pin Assignment
01	DI0
02	DI1
03	DI2
04	DI3
05	DI4
06	DI5
07	DI6
08	DI7
09	DI8
10	DI9
11	DI10
12	DI11
13	DI12
14	DI13
15	DI14
16	DI15
17	GND
18	GND
19	GND
20	GND

Ordering Information

I-8051 CR	16-ch Non-isolated DI (Dry) Module (Blue Cover) (RoHS)
I-8051-G CR	16-ch Non-isolated DI (Dry) Module (Gray Cover) (RoHS)