



I-8040

I-8040-G

32-ch Isolated DI Module

Features

- Sink or Source Type Digital Input
- Photocouple-isolation protection
- Optional Daughter board connectivity
- 3750 Vdc Intra-module Isolation



Introduction

The I-8040 offer 32 channels for Digital Input, each of which features Photocouple-isolation. Either Sink Type or Source Type Input can be selected via wire connections. All channels ± 4 kV ESD protection and 3750 VDC intra-module isolation. Paired with a daughter board such as the DN-37-381-A CR, wiring is easier than ever.



I-8040, I-8041, I-8042, I-87040, I-87041 with
DN-37-381-A & DB37 Male to Female Cable
(Optional)



I-8040, I-8041, I-8042, I-87040, I-87041 with
DN-37-A & DB37 Male to Female Cable
(Optional)

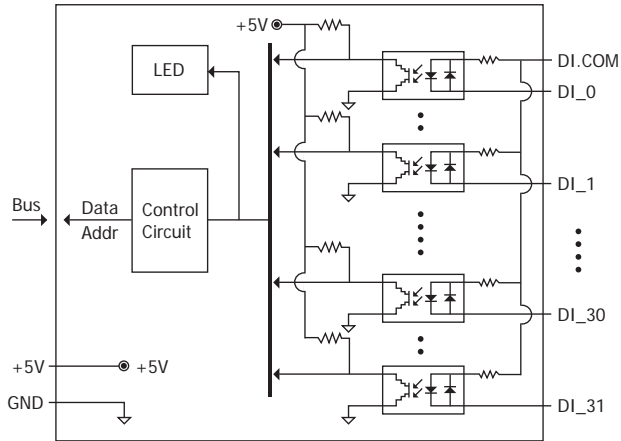
System Specifications

LED Indicators/Display	
System LED Indicator	1 LED as Power Indicator
I/O LED Indicator	32 LEDs as Digital Input Indicators
Isolation	
Intra-module Isolation, Field-to-Logic	3750 Vdc
EMS Protection	
ESD (IEC 61000-4-2)	± 4 kV Contact for each Terminal
Power	
Power Consumption	0.65 W max.
Mechanical	
Dimensions (W x L x H)	31 mm x 114 mm x 66 mm
Environment	
Operating Temperature	-25 ~ +75 °C
Storage Temperature	-40 ~ +85 °C
Humidity	10 ~ 90% RH, Non-condensing

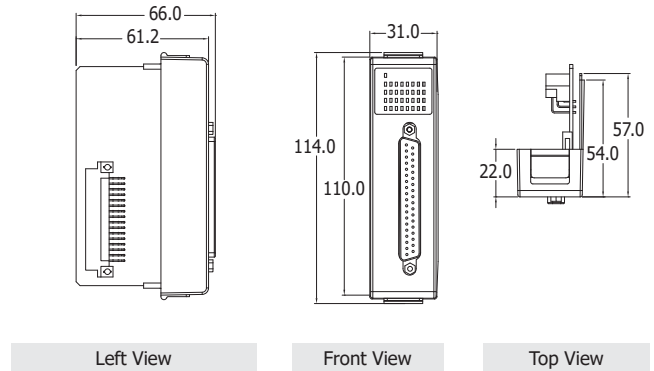
I/O Specifications

DC Digital Input	
Channels	32
Type	Wet Contact
Sink/Source (NPN/PNP)	Sink, Source
ON Voltage Level	+10 ~ +30 VDC
OFF Voltage Level	+4 VDC Max.
Input Impedance	3 k Ω , 0.33W

Internal I/O Structure



Dimensions (Units: mm)



Wire Connections

Input Type	ON State LED ON Readback as 0	OFF State LED OFF Readback as 1
Relay Contact	Relay ON 	Relay OFF
TTL/CMOS Logic	Voltage > 3.5 V 	Voltage < 1 V
NPN Output	Open Collector ON 	Open Collector OFF
PNP Output	Open Collector ON 	Open Collector OFF

Pin Assignments

Pin Assignment	Terminal	No.	Pin Assignment
DI.COM	19	37	DI.COM
NC	18	36	NC
NC	17	35	DI_31
DI_15	16	34	DI_30
DI_14	15	33	DI_29
DI_13	14	32	DI_28
DI_12	13	31	DI_27
DI_11	12	30	DI_26
DI_10	11	29	DI_25
DI_9	10	28	DI_24
DI_8	09	27	DI_23
DI_7	08	26	DI_22
DI_6	07	25	DI_21
DI_5	06	24	DI_20
DI_4	05	23	DI_19
DI_3	04	22	DI_18
DI_2	03	21	DI_17
DI_1	02	20	DI_16
DI_0	01		

37-pin Male D-Sub Connector

Ordering Information

I-8040 CR	32-ch Isolated DI (Wet, 10 ~ 30 VDC) Module (Blue Cover) (RoHS) Includes CA-4002F (DB37 connector Female with plastic cover)
I-8040-G CR	32-ch Isolated DI (Wet, 10 ~ 30 VDC) Module (Gray Cover) (RoHS) Includes CA-4002F (DB37 connector Female with plastic cover)

Accessories

DN-37-A CR	Female DB37 to Screw Terminal Board (Pitch= 5.08 mm) with DIN-rail Mounting (RoHS) Include: CA-3710A (DB37 Male to Female Cable, 90°, 1 M)
DN-37-381-A CR	Female DB37 to Screw Terminal Board (Pitch=3.81 mm) with DIN-rail Mounting (RoHS) Include: CA-3710A (DB37 Male to Female Cable, 90°, 1 M)
CA-3705A CR CA-3710A CR CA-3715A CR	DB37 Male to Female Cable, 90°, 0.5 M/1 M/1.5 M (RoHS)
CA-3710AM CR CA-3720AM CR CA-3730AM CR CA-3750AM CR CA-37100AM CR	DB37 Male to Female, with Molded Cable, 45°, 1 M/2 M/3 M/5 M/10 M (RoHS)