



I-8024

I-8024-G

4-ch AO Module

Features

- 4-channel Voltage or Current Output
- Individual Channel Configuration
- ± 4 kV ESD Protection
- 2500 VDC Intra-module Isolation



Introduction

The I-8024 is a 14-bit Analog Output Module, which offers 4 single-ended analog output channels. Each channel can be programmed to an individual output range of ± 10 VDC or $0 \sim +20$ mA. The I-8024 provides RF immunity level matching that defined by IEC 61000-4-3 standard, together with ± 4 kV ESD protection as well as 2500 VDC intra-module isolation.

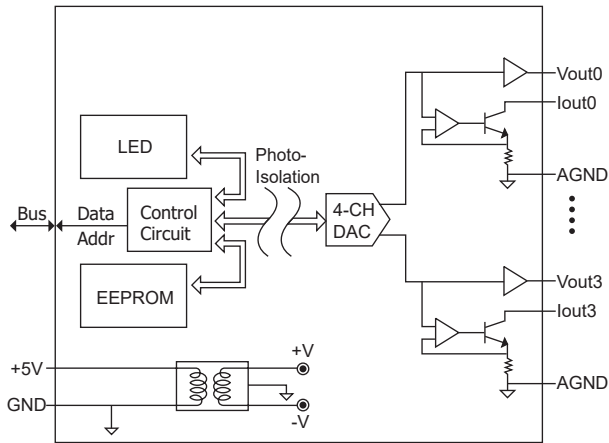
System Specifications

LED Indicators/Display	
System LED Indicator	1 LED as Power Indicator
I/O LED Indicator	-
Isolation	
Intra-module Isolation, Field-to-Logic	2500 Vdc
EMS Protection	
ESD (IEC 61000-4-2)	± 4 kV Contact for each Terminal
Power	
Power Consumption	2 W Max.
Mechanical	
Dimensions (W x L x H)	31 mm x 116 mm x 88 mm
Environment	
Operating Temperature	$-25 \sim +75$ °C
Storage Temperature	$-40 \sim +85$ °C
Humidity	10 ~ 90% RH, Non-condensing

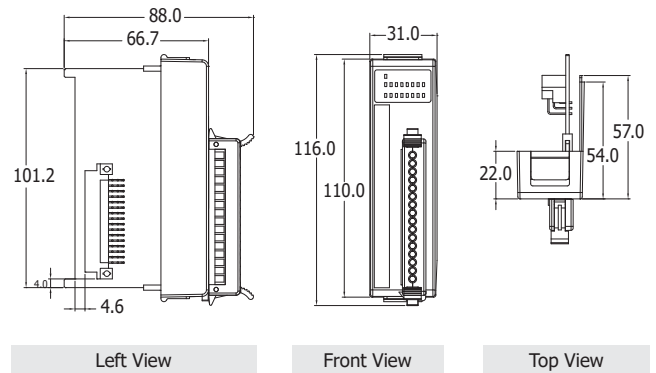
I/O Specifications

Analog Output		
Channels	4	
Current Output Wiring	Sink	
Range	± 10 VDC, $0 \sim +20$ mA	
Resolution	14-bit	
Accuracy	Voltage	$\pm 0.1\%$ of FSR
	Current	$\pm 0.2\%$ of FSR
Readback Accuracy	$\pm 1\%$ of FSR	
Zero Drift	Voltage	$\pm 30 \mu\text{V}/^\circ\text{C}$
	Current	$\pm 0.2 \mu\text{A}/^\circ\text{C}$
Span Drift	± 20 ppm/ $^\circ\text{C}$	
Voltage Output Capability	10 VDC @ 5 mA	
Max. Current Load Resistance	External +24 VDC: 1050 Ω	

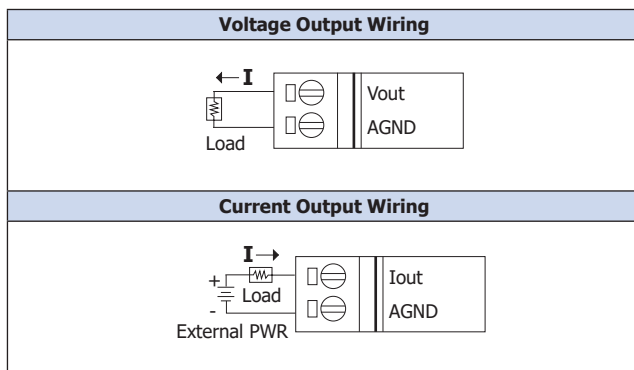
Internal I/O Structure



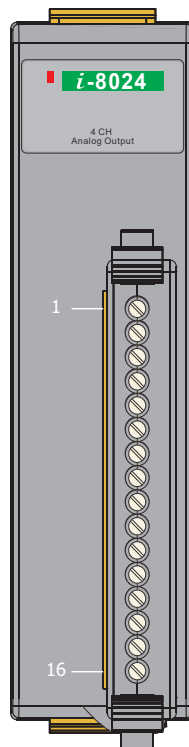
Dimensions (Units: mm)



Wire Connections



Pin Assignments



Terminal No.	Pin Assignment
01	Iout0
02	AGND
03	Iout1
04	AGND
05	Iout2
06	AGND
07	Iout3
08	AGND
09	Vout0
10	AGND
11	Vout1
12	AGND
13	Vout2
14	AGND
15	Vout3
16	AGND

Ordering Information

I-8024 CR	4-ch Analog Output Module (Blue Cover) (RoHS)
I-8024-G CR	4-ch Analog Output Module (Gray Cover) (RoHS)