



## I-87069

## I-87069-G

8-ch PhotoMOS Relay Module (0.13A Rating Current)

### Features

- 8 PhotoMos Relay Outputs
- 4 kV ESD Protection
- No Arcing, No Bounce, and No Switching Noise
- Photocouple Isolation
- Embedded Dual Watchdog
- Configurable Power-on Value Settings
- Configurable Safe Value Settings



### Introduction

I-87069 features eight Form A PhotoMOS relay output channels. In comparison to electromechanical relays, the PhotoMOS relays provide a faster response time, greater electrical endurance, higher vibration and shock resistance. There are also no arcing, no bounce, and no switching noise for the PhotoMOS relay. There are options for configuring power-on and safe digital output values, and both the I-87069 include eight LED indicators that are used to display channel status as well as providing 4 kV ESD protection.

### Applications

- All TypeS of On/Off Control
- Industrial Automation
- Industrial Machinery
- Building Automation
- Food and Beverage Systems
- Semiconductor Fabrication
- Control Systems

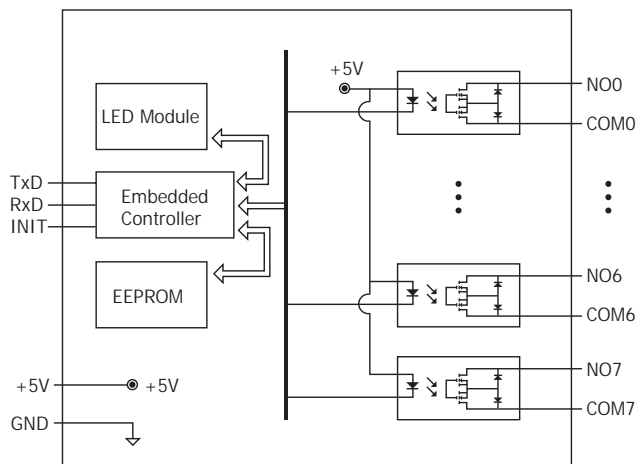
### System Specifications

CPU Module	
Watchdog Timer	Yes, Module (1.6 Seconds), Communication (Programmable)
Isolation	
Intra-module Isolation	5000 V <sub>rms</sub>
LED Indicators	
Status	1 x Power and Communication 8 x I/O
COM Ports	
Baud Rate	115200 bps
Data Format	N, 8, 1
Protocol	DCON
Power	
Power Consumption	0.5 W (Max.)
Mechanical	
Dimensions (W x L x H)	31 mm x 116 mm x 88 mm
Environment	
Operating Temperature	-25 ~ +75 °C
Storage Temperature	-30 ~ +75 °C
Humidity	5 ~ 95% RH, Non-condensing

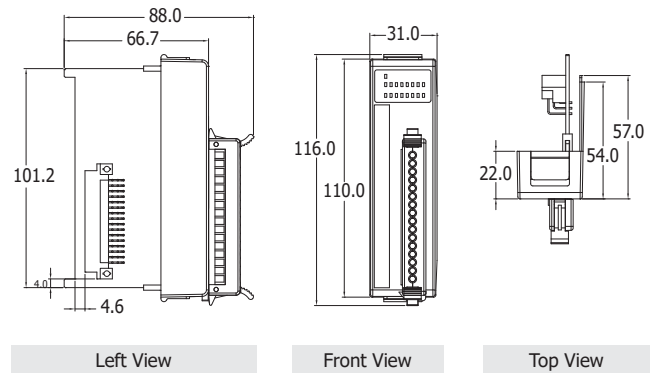
### I/O Specifications

Relay Output	
Channels	8 (Form A)
Type	PhotoMOS Relay
Contact Rating	Operating Load Voltage Range: 350 V (AC peck or DC) Countinous Load Current: 0.13 A Peak Load Current: 0.4 A Output Off State Leakage Current: 1 μA
Operating Time	2 ms (Max.)
Release Time	1 ms (Max.)
Electrical Endurance	No Arcing, No Bounce, and No Switching Noise
Power-on Value	Yes, Programmable
Safe Value	Yes, Programmable

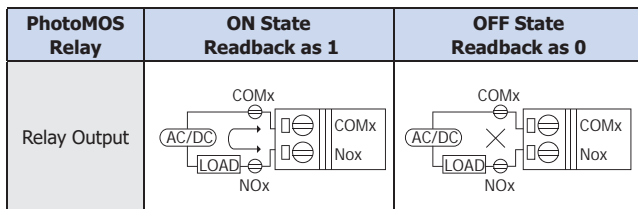
## Internal I/O Structure



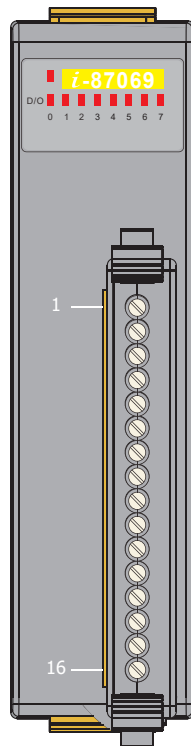
## Dimensions (Units: mm)



## Wire Connections



## Pin Assignments



Terminal No.	Pin Assignment
01	NO0
02	COM0
03	NO1
04	COM1
05	NO2
06	COM2
07	NO3
08	COM3
09	NO4
10	COM4
11	NO5
12	COM5
13	NO6
14	COM6
15	NO7
16	COM7

## Ordering Information

<b>I-87069 CR</b>	8-ch PhotoMOS Relay Module (0.13A Rating Current) (Blue Cover) (RoHS)
<b>I-87069-G CR</b>	8-ch PhotoMOS Relay Module (0.13A Rating Current) (Gray Cover) (RoHS)