



I-87055

8-ch Non-isolated DI and 8-ch Non-isolated DO Module



I-87055-G

Features

- 8-channel Non-isolated Digital Input and 8-channel Non-isolated Digital Output
- Sink-type Digital Output Channels
- Dry Contact Digital Input Channels
- All Digital Input Channels can be used as 16-bit Counters
- All Channels are Non-isolated
- Configurable Power-on Value
- Configurable Safe Value



Introduction

The I-87055 module offers 8 non-isolated Digital Input channels and 8 nonisolated Digital Output channels. All Digital Input channels are also able to be used as 16-bit counters. The I-87055 supports sink-type Digital Output and Digital Input with dry contact connections. The I-87055 includes 16 LED indicators that can be used to monitor the status of the Digital Input and Digital Output channels, and options are available for configuring both poweron and safe values.

Applications

- Building Automation
- Machine Automation
- Remote Diagnosis
- Factory Automation
- Remote Maintenance
- Testing Equipment

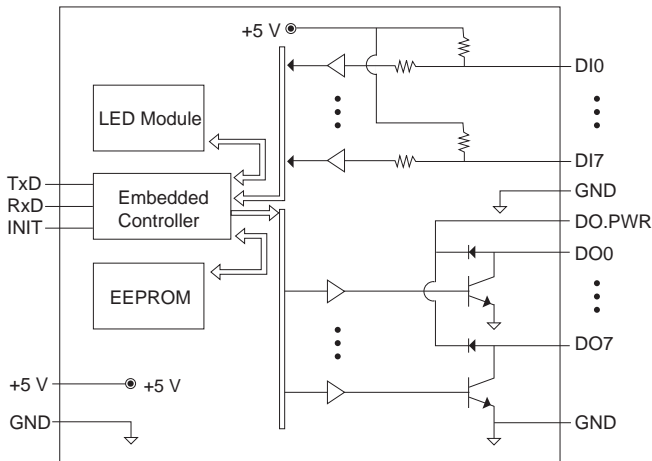
System Specifications

CPU Module	
Watchdog Timer	Yes, Module (1.6 Seconds), Communication (Programmable)
LED Indicators	
Status	1 x Power and Communication 16 x I/O
COM Ports	
Baud Rate	115200 bps
Data Format	N, 8, 1
Protocol	DCON
Power	
Power Consumption	0.9 W Max.
Mechanical	
Dimensions (W x L x H)	31 mm x 116 mm x 88 mm
Environment	
Operating Temperature	-25 ~ +75 °C
Storage Temperature	-30 ~ +75 °C
Humidity	5 ~ 95% RH, Non-condensing

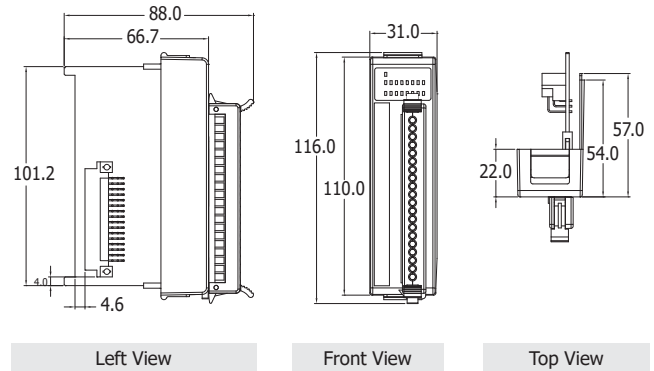
I/O Specifications

Digital Input	
Low Pass Filter	Yes
Digital Input/Counter	
Channels	8
Type	Dry Contact, Wet Contact
Sink/Source (NPN/PNP)	Sink
Dry Contact, ON Voltage Level	Close to GND
Dry Contact, OFF Voltage Level	Open
Max. Counts	16-bit (65535)
Frequency	100 Hz
Min. Pulse Width	5 ms
Digital Output	
Channels	8
Type	Open Collector
Sink/Source (NPN/PNP)	Sink
Load Voltage	+5 V _{DC} ~ +30 V _{DC}
Max. Load Current	100 mA/channel
Power-on Value	Yes
Safe Value	Yes

Internal I/O Structure



Dimensions (Units: mm)

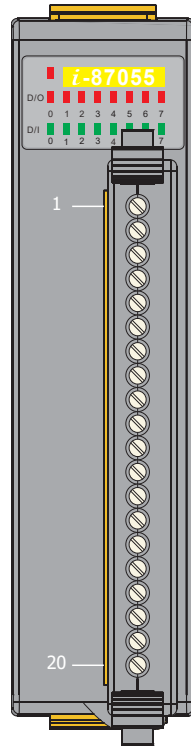


Wire Connections

Input Type	ON State LED ON Readback as 1	OFF State LED OFF Readback as 0
Relay Contact	Relay ON 	Relay OFF
	Voltage < +1 V 	Voltage > +3.5 V
Open Collector	Open Collector ON 	Open Collector OFF

Input Type	ON State LED ON Readback as 1	OFF State LED OFF Readback as 0
Drive Relay	Relay ON 	Relay OFF
	Resistance Load 	Resistance Load

Pin Assignments



Terminal No.	Pin Assignment
01	DI0
02	DI1
03	DI2
04	DI3
05	DI4
06	DI5
07	DI6
08	DI7
09	GND
10	GND
11	GND
12	DO0
13	DO1
14	DO2
15	DO3
16	DO4
17	DO5
18	DO6
19	DO7
20	DO.PWR

Ordering Information

I-87055 CR	8-ch Non-isolated DI (Dry) and 8-ch Non-isolated DO (Sink, NPN) Module (Blue Cover) (RoHS)
I-87055-G CR	8-ch Non-isolated DI (Dry) and 8-ch Non-isolated DO (Sink, NPN) Module (Gray Cover) (RoHS)