



I-87053

16-ch Isolated DI Module (3.5 ~ 30 Vdc)



I-87053-G

Features

- 16-channel Digital Inputs
- Wet Contact
- Photocouple Isolation
- All Channels can be used as 16-bit Counters
- 3750 Vdc Intra-module Isolation
- Dual Watchdog



Introduction

The I-87053 offers 16 channels for digital input. All channels feature photocouple isolation, and can also be used as 16-bit counters. The I-87053 series provides 16 LED indicators that can be used to monitor the DI channel status. 3750 V_{DC} intra-module isolation are also provided to enhance noise immunity capabilities in industrial environments.

Applications

- Building Automation
- Machine Automation
- Remote Diagnosis
- Factory Automation
- Remote Maintenance
- Testing Equipment

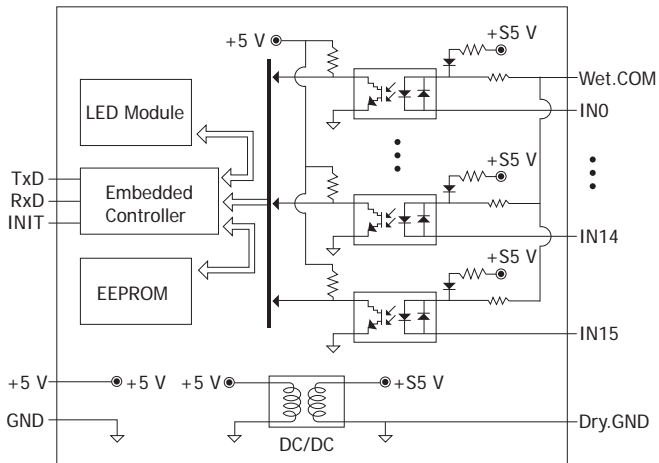
System Specifications

CPU Module	
Watchdog Timer	Yes, Module (1.6 Seconds), Communication (Programmable)
Isolation	
Intra-module Isolation	3750 V _{rms}
LED Indicators	
Status	1 x Power and Communication 16 x I/O
COM Ports	
Baud Rate	115200 bps
Data Format	N, 8, 1
Protocol	DCON
Power	
Power Consumption	0.9 W Max.
Mechanical	
Dimensions (W x L x H)	31 mm x 116 mm x 88 mm
Environment	
Operating Temperature	-25 ~ +75 °C
Storage Temperature	-30 ~ +75 °C
Humidity	5 ~ 95% RH, Non-condensing

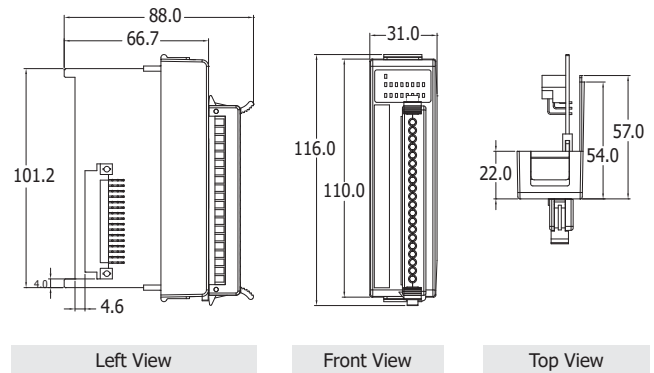
I/O Specifications

Digital Input	
Low Pass Filter	Yes
Digital Input/Counter	
Channels	16
Type	Wet Contact
Sink/Source (NPN/PNP)	Sink, Source
Wet Contact, ON Voltage Level	+3.5 V _{DC} ~ +30 V _{DC}
Wet Contact, OFF Voltage Level	+1 V _{DC} Max.
Dry Contact, ON Voltage Level	Close to GND
Dry Contact, OFF Voltage Level	Open
Max. Counts	16-bit (65535)
Frequency	100 Hz
Min. Pulse Width	5 ms
Input Impedance	3 kΩ, 1 W

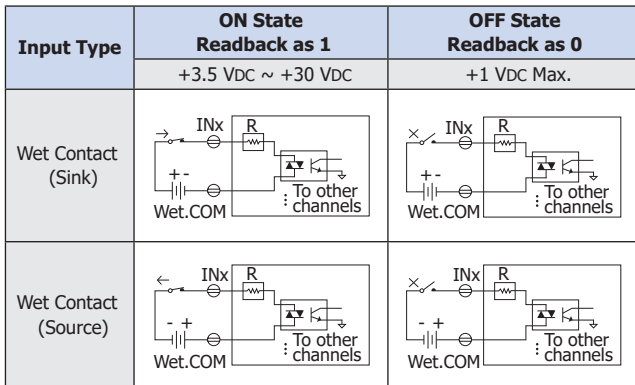
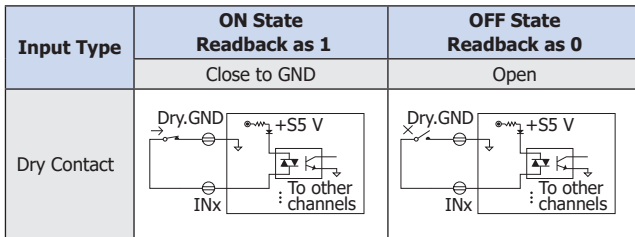
Internal I/O Structure



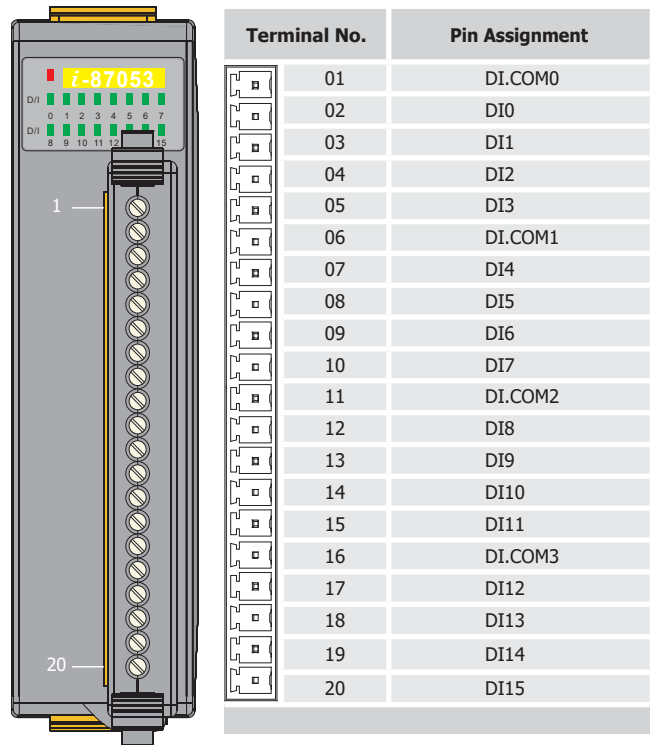
Dimensions (Units: mm)



Wire Connections



Pin Assignments



Ordering Information

I-87053 CR	16-ch Isolated DI (Dry, Wet, 3.5 ~ 30 V _{DC}) Module (Blue Cover) (RoHS)
I-87053-G CR	16-ch Isolated DI (Dry, Wet, 3.5 ~ 30 V _{DC}) Module (Gray Cover) (RoHS)