



I-9064

8-Channel Power Relay Output Module

Features

- 8-channel Power Relay Output
- Form A Power Relay Output
- Configurable Power-on Value
- Configurable Safe Value
- 4 kV ESD Protection
- 3000 VDC Intra-module Isolation



Introduction

The I-9064 module provides 8 Form A Relay Output channels, and is an ideal solution for high-power applications. The I-9064 includes 8 LED indicators that can be used to monitor the status of the Relay Output channels, and options are available for configuring power-on and safe values. 4 kV ESD protection and 3000 VDC intra-module isolation are also provided to enhance the noise protection capabilities of the module in harsh industrial environments.

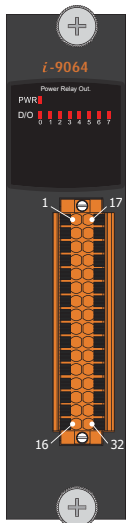
System Specifications

LED Display	
System LED Indicator	1 x Power and Communication
I/O LED Indicator	8 x Power Relay
Isolation	
Intra-module Isolation, Field-to-Logic	3000 VDC
EMS Protection	
ESD (IEC 61000-4-2)	±4 kV Contact for each Terminal, ±8 kV Air for Random Point
Power	
Power Consumption	1 W Max.
Mechanical	
Dimensions (W x L x H)	31 mm x 134 mm x 144 mm
Environment	
Operating Temperature	-25 ~ +75 °C
Storage Temperature	-40 ~ +85 °C
Humidity	10 ~ 90 % RH, Non-condensing

I/O Specifications

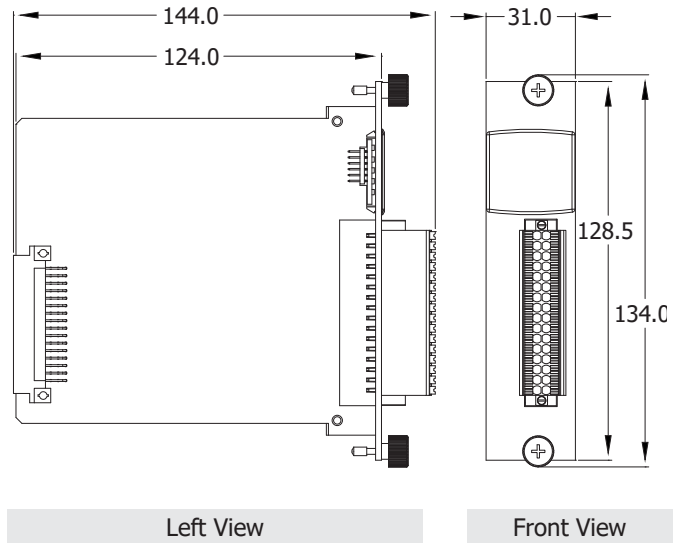
Relay Output	
Channels	8 (Form A)
Type	Power Relay
Contact Material	Gold-plated Silver Cadmium Alloy
Contact Rating	5 A @ 250 VAC (resistive Load), 5 A @ 30 VDC (Resistive Load)
Operate Time	6 ms (Max.)
Release Time	3 ms (Max.)
Electrical Endurance	1 x 10 ⁵ ops.
Mechanical Endurance	2 x 10 ⁷ ops.
Power on Value	Yes
Safe Value	Yes

Pin Assignments

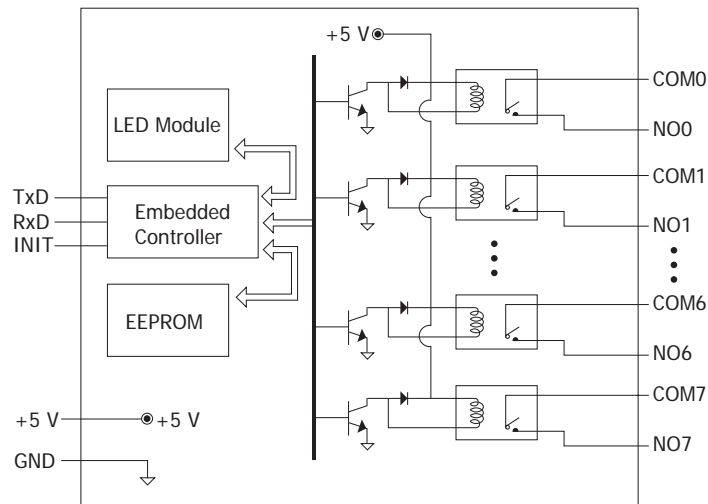


Pin Assignment	Terminal No.	Pin Assignment
NO0	01	17
COM0	02	18
NO1	03	19
COM1	04	20
NO2	05	21
COM2	06	22
NO3	07	23
COM3	08	24
NO4	09	25
COM4	10	26
NO5	11	27
COM5	12	28
NO6	13	29
COM6	14	30
NO7	15	31
COM7	16	32

Dimensions (Units: mm)



Internal I/O Structure



Wire Connections

Output Type	ON State Readback as 1	OFF State Readback as 0
	Relay ON	Relay OFF
Relay Contact		

Ordering Information

I-9064 CR	8-Channel Power Relay Output Module (RoHS)
------------------	--