



## I-9057P

16-channel Isolated Digital Output Module

### Features

- 16-channel Open Collector Output
- Sink-type Digital Output
- Up to 60 VDC Overvoltage Protection
- Short Circuit Protection
- Overvoltage Protection
- 4 kV ESD Protection
- 3750 VDC Intra-module Isolation



### Introduction

The I-9057P module offers 16 digital output channels, each of which features Photocouple isolation and supports sink-type output using an open collector. In addition, 16 LED indicators are included to monitor the status of digital output channels. The I-9057P integrates overcurrent, over-voltage and short-circuits protections for industrial use. 4 kV ESD protection and 3750 VDC intra-module isolation are also provided as standard.

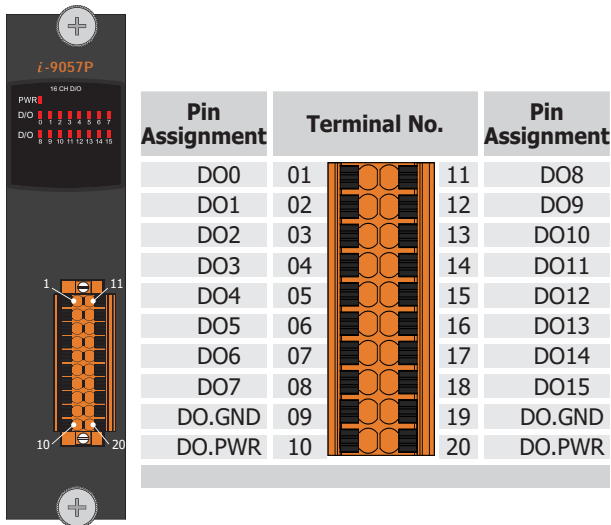
### System Specifications

LED Display	
System LED Indicator	1 LED as Power Indicator
I/O LED Indicator	16 LEDs as Digital Input Indicators
Isolation	
Intra-module Isolation, Field-to-Logic	3750 VDC
EMS Protection	
ESD (IEC 61000-4-2)	±4 kV Contact for each Terminal, ±8 kV Air for Random Point
Power	
Power Consumption	1 W Max.
Mechanical	
Dimensions (W x L x H)	31 mm x 134 mm x 144 mm
Environment	
Operating Temperature	-25 ~ +75 °C
Storage Temperature	-40 ~ +85 °C
Humidity	10 ~ 90 % RH, Non-condensing

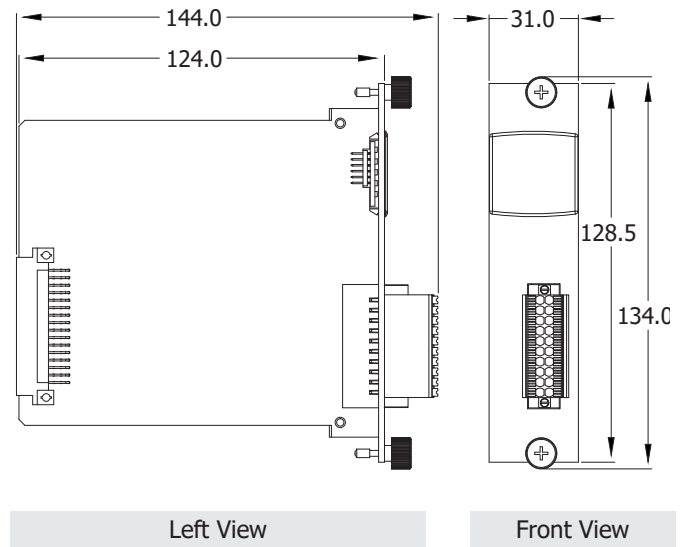
### I/O Specifications

Digital Input	
Channels	16
Type	Isolated Open Collector
Sink/Source (NPN/PNP)	Sink
Short-circuit Protection	Yes
Overvoltage Protection	60 VDC
Overload Protection	1.1 A
Load Voltage	+10 ~ +50 VDC
Load Current	100 mA/Channel

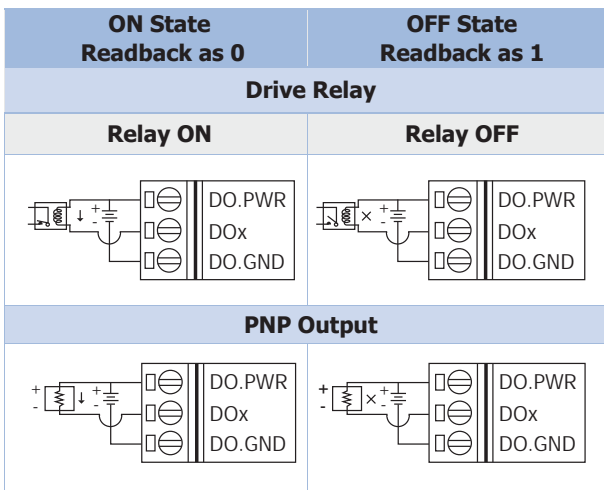
## Pin Assignments



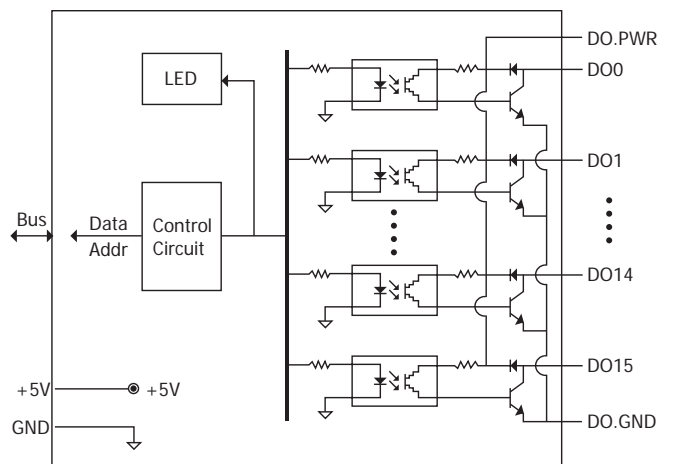
## Dimensions (Units: mm)



## Wire Connections



## Internal I/O Structure



## Ordering Information

<b>I-9057P CR</b>	16-Channel Isolated Digital Output Module (RoHS)
-------------------	--