



I-9040P

32-channel Isolated Digital Input Module

Introduction

The I-9040P is a 32-channel digital input module, each channel features photo-couple isolation and can be either sink- or source-type input, selectable by the wiring. The ON voltage level of the I-9040P is ranged from +19 V to +30 V, while the OFF voltage level is under +11 V. It is suitable for +24 VDC digital input systems.

By pairing with a daughter board such as the DN-37-381-A, the wiring is easier than ever. 32 LED indicators are provided for monitoring DI channel status, together with 4 kV ESD protection and 3750 VDC intra-module isolation.

System Specifications

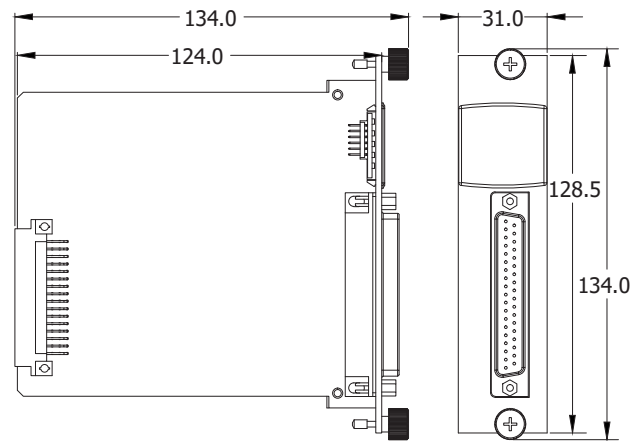
LED Display	
System LED Indicator	1 LED as Power Indicator
I/O LED Indicator	32 LEDs as Digital Input Indicators
Isolation	
Intra-module Isolation, Field-to-Logic	3750 VDC
EMS Protection	
ESD (IEC 61000-4-2)	±4 kV Contact for each Terminal ±8 kV Air for Random Point
Power	
Power Consumption	1 W Max.
Mechanical	
Dimensions (W x L x H)	31 mm x 134 mm x 144 mm
Environment	
Operating Temperature	-25 ~ +75 °C
Storage Temperature	-40 ~ +85 °C
Humidity	10 ~ 90 % RH, Non-condensing

Features

- 32-channel Digital Input
- Sink-type or Source-type Digital Input
- Compatible with 24 V Levels
- Optional Daughter Boards for Easy Field Wiring



Dimensions (Units: mm)



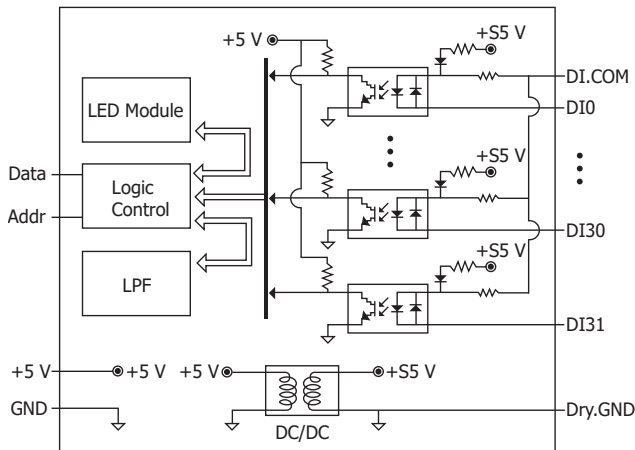
Left View

Front View

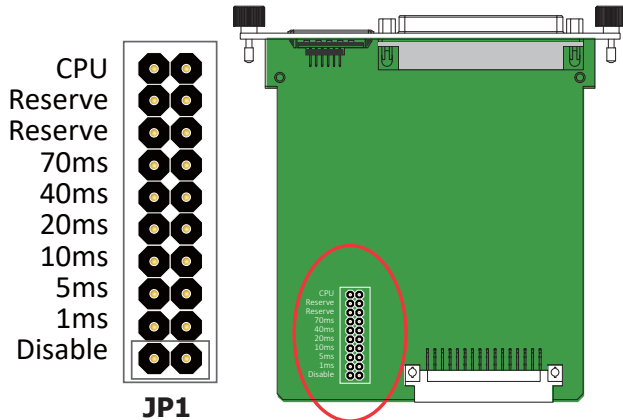
I/O Specifications

Digital Input		
Channels	32	
Sink/Source (NPN/PNP)	Sink/Source	
Input Type	Dry, Wet	
Dry Contact	On Voltage Level	Close to GND
	Off Voltage Level	Open
Wet Contact	On Voltage Level	+19 VDC ~ +30 VDC
	Off Voltage Level	+11 VDC Max.
Input Impedance	3 KΩ, 0.5W	
Low Pass Filter	1 ms/5 ms/10 ms/20 ms/40 ms/70 ms (by Jumper select) or CPU parameter setting; Default Setting is Disable	

Internal I/O Structure



Jumpers for Low Pass Filter Selection



Default Setting is **Disable**

Accessories

DN-37-A CR	Female DB37 to Screw Terminal Board (Pitch= 5.08 mm) with DIN-rail Mounting (RoHS) Include: CA-3710A (DB37 Male to Female Cable, 90°, 1 M)
DN-37-381-A CR	Female DB37 to Screw Terminal Board (Pitch=3.81 mm) with DIN-rail Mounting (RoHS) Include: CA-3710A (DB37 Male to Female Cable, 90°, 1 M)
CA-3705A CR/CA-3710A/CA-3715A CR	DB37 Male to Female Cable, 90°, 0.5 M/1 M/ 1.5 M (RoHS)
CA-3710AM/CA-3720AM/CA-3730AM/ CA-3750AM/CA-37100AM CR	DB37 Male to Female, with Molded Cable, 45°, 1 M/2 M/3 M/5 M/10 M (RoHS)

Pin Assignments

Pin Assignment	Terminal No.	Pin Assignment
DI.COM	19	DI.COM
Dry.GND	18	Dry.GND
Dry.GND	17	DI31
DI15	16	DI30
DI14	15	DI29
DI13	14	DI28
DI12	13	DI27
DI11	12	DI26
DI10	11	DI25
DI9	10	DI24
DI8	09	DI23
DI7	08	DI22
DI6	07	DI21
DI5	06	DI20
DI4	05	DI19
DI3	04	DI18
DI2	03	DI17
DI1	02	DI16
DI0	01	

37-pin Male D-sub Connector

Wire Connections

Input Type	ON State Readback as 1	OFF State Readback as 0
	Close to GND	Open
Dry Contact		
Wet Contact (Sink)		
Wet Contact (Source)		

Ordering Information

I-9040P CR

32-ch Isolated DI (Dry, Wet) Module with Low Pass Filter (RoHS)