



I-9037P

16-channel Isolated Open Emitter Output Module

Features

- 16 Isolated Open-Emitter Output Channel
- Support Source Type Digital Input
- Photocouple Isolation Protection
- Short Circuit Protection
- Overvoltage Protection
- 4 kV ESD Protection
- 3750 VDC Intra-module Isolation



Introduction

The I-9037P provides 16 channels of digital output with photo couple isolation. Source-type output with short circuit protection and up to 700 mA load current are supported for each channel. There are options for configuring power-on and safe digital output values. 4 kV ESD protection and 3750 VDC intra-module isolation are also included to enrich the noise protection ability for industrial environment.

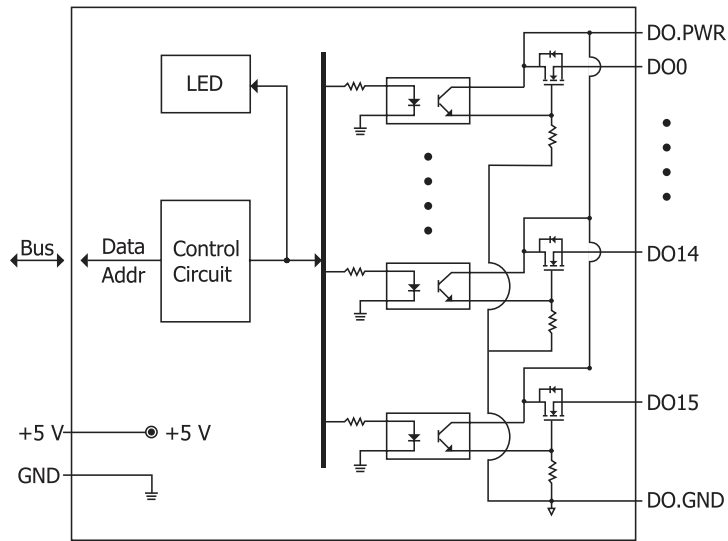
System Specifications

LED Indicators/Display	
System LED Indicators	1 LED as Power Indicator
I/O LED Indicators	16 LEDs as Digital Input Indicators
Isolation	
Intra-module Isolation, Field-to-Logic	3750 VDC
EMS Protection	
ESD (IEC 61000-4-2)	±4 kV Contact for each Terminal; ±8 kV Air for Random Point
Power	
Power Consumption	1 W Max.
Mechanical	
Dimensions (W x L x H)	31 mm x 134 mm x 144 mm
Environment	
Operating Temperature	-25 ~ +75 °C
Storage Temperature	-40 ~ +85 °C
Humidity	10 ~ 90 % RH, Non-condensing

I/O Specifications

Digital Output	
Channels	16
Type	Isolated Open-Emitter
Sink/Source (NPN/PNP)	Source
Short-circuit Protection	Yes
Overvoltage Protection	60 VDC
Load Voltage	+5 ~ +30 VDC
Load Current	700 mA/Channel

Internal I/O Structure



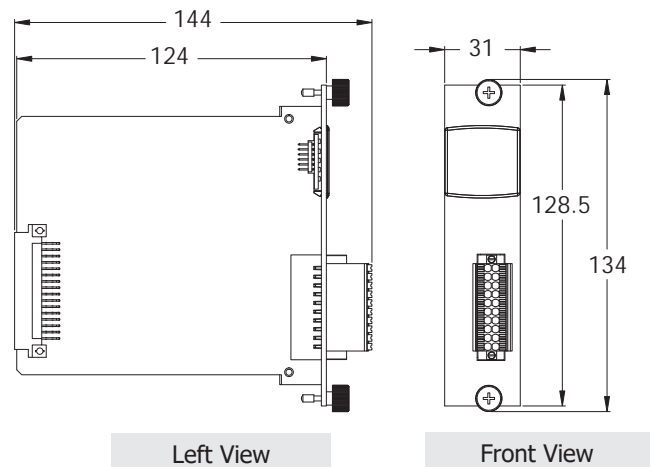
Wire Connections

Output Type	ON State - Readback as 1	OFF State - Readback as 0
Drive Relay	<p>Relay ON</p>	<p>Relay OFF</p>
	<p>Resistance Load</p>	<p>Resistance Load OFF</p>

Pin Assignments

Pin Assignment	Terminal No.	Pin Assignment
DO0	01	11 DO8
DO1	02	12 DO9
DO2	03	13 DO10
DO3	04	14 DO11
DO4	05	15 DO12
DO5	06	16 DO13
DO6	07	17 DO14
DO7	08	18 DO15
DO.GND	09	19 DO.GND
DO.PWR	10	20 DO.PWR

Dimensions (Units: mm)



Ordering Information

I-9037P CR

16-channel Source Type Isolated Digital Output Module (RoHS)