



I-9024

4 Channel Isolated Voltage/Current Output Module

Features

- 4 Channel Voltage/Current Output
- Sink Current Output Wiring
- Individual Channel Configuration
- 4 kV ESD Protection
- 3000 VDC Intra-module Isolation



Introduction

The I-9024 is a 14-bit analog output module, which offers 4 single-ended analog output channels. Every channel can be programmed to an individual output range of ± 10 V or $0 \sim +20$ mA. The I-9024 provides RF immunity level matching that defined by IEC 61000-4-3 standard, together with 4 kV ESD protection as well as 3000 VDC intra-module isolation.

Application

- Building Automation
- Machine Automation
- Remote Diagnosis
- Factory Automation
- Remote Maintenance
- Testing Equipment

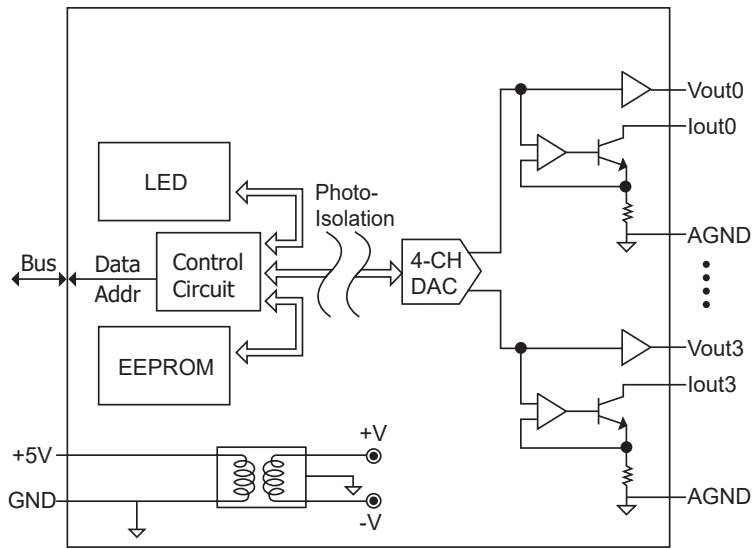
System Specifications

LED Display	
System LED Indicator	1 LED as Power Indicator
Isolation	
Intra-module Isolation, Field-to-Logic	3000 VDC
EMS Protection	
ESD (IEC 61000-4-2)	± 4 kV Contact for each Terminal ± 8 kV Air for Random Point
Power	
Consumption	2 W Max.
Mechanical	
Dimensions (W x L x H)	31 mm x 134 mm x 144 mm
Environment	
Operating Temperature	$-25 \sim +75$ °C
Storage Temperature	$-40 \sim +85$ °C
Humidity	10 ~ 90 % RH, Non-condensing

I/O Specifications

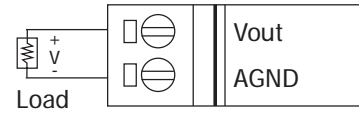
Analog Output		
Channels	4	
Current Output Wiring	Sink	
Resolution	14-bit	
Range	± 10 V, $0 \sim +20$ mA	
Accuracy	Voltage	± 0.1 % of FSR
	Current	± 0.2 % of FSR
Zero Drift	Voltage	± 30 μ V/ °C
	Current	± 0.2 μ A/ °C
Span Drift	± 20 ppm/°C	
Readback Accuracy	± 1 % of FSR	
Voltage Output Capability	10 V @ 20 mA	
Current Load Resistance	External +24 V: 1050 Ω	

Internal I/O Structure

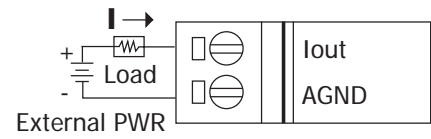


Wire Connections

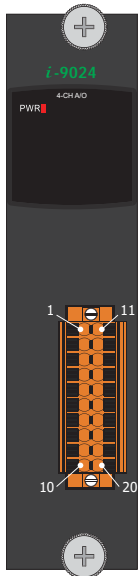
Voltage Output Wiring



Current Output Wiring

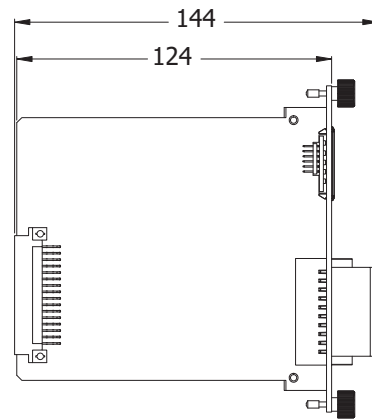


Pin Assignments

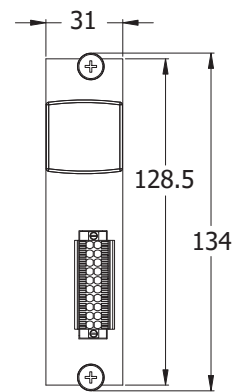


Pin Assignment	Terminal No.	Pin Assignment
VO0	01	I0
AGND	02	AGND
VO1	03	I1
AGND	04	AGND
VO2	05	I2
AGND	06	AGND
VO3	07	I3
AGND	08	AGND
-	09	-
F.G	10	F.G

Dimensions (Units: mm)



Left View



Front View

Ordering Information

I-9024 CR

4-channel Isolated Analog Output Module (RoHS)