



## I-87064W

8-ch Power Relay Module (5A Rating Current)

### Features

- 8-channel Power Relay Output
- Form A Power Relay Output
- Configurable Safe Value
- Configurable Power-on Value
- 3000 VDC Intra-module Isolation
- $\pm 4$  kV ESD Protection



### Introduction

The I-87064W module provides 8 Form A Relay Output channels, and is an ideal solution for high-power applications. The I-87064W includes 8 LED indicators that can be used to monitor the status of the Relay Output channels, and options are available for configuring power-on and safe values. 4 kV ESD protection and 3000 VDC intra-module isolation are also provided to enhance the noise protection capabilities of the module in harsh industrial environments.

### System Specifications

COM Port	
Ports	RS-485
Data Format	N, 8, 1
Baud Rate	1200 ~ 115200 bps
Protocol	DCON
CPU Module	
Dual Watchdog Timer	Module (1.6 Seconds), Communication (Programmable)
LED Indicators	
System LED Indicator	1
I/O LED Indicator	8
Isolation	
Intra-module Isolation, Field-to-Logic	3000 VDC
EMS Protection	
ESD (IEC 61000-4-2)	$\pm 4$ kV Contact for Each Terminal $\pm 8$ kV Air for Random Point
Power	
Consumption	1.5 W Max.
Mechanical	
Dimensions (W x L x H)	30 mm x 115 mm x 102 mm
Environment	
Operating Temperature	-25 ~ +75 °C
Storage Temperature	-40 ~ +85 °C
Humidity	10 ~ 90 % RH, Non-condensing

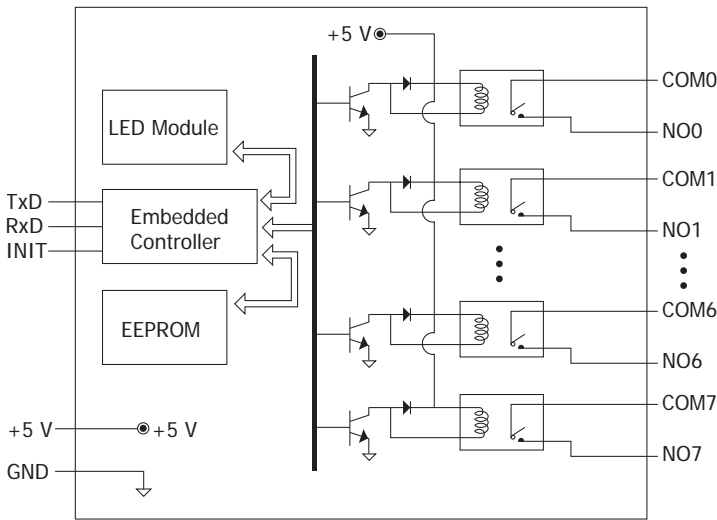
### I/O Specifications

Relay Output	
Channels	8 (Form A)
Type	Power Relay
Contact Rating	5 A @ 250 VAC (Resistive Load) 5 A @ 30 VDC (Resistive Load)
Operate Time	6 ms (Max.)
Release Time	3 ms (Max.)
Electrical Endurance	1 x 10 <sup>5</sup> ops.
Mechanical Endurance	2 x 10 <sup>7</sup> ops.
Power on Value	Yes
Safe Value	Yes

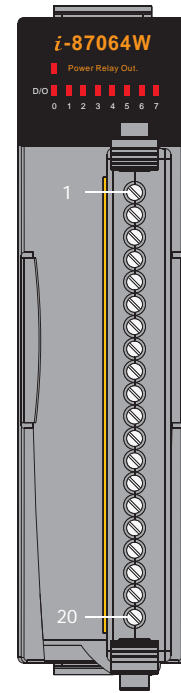
### Applications

- Building Automation
- Factory Automation
- Machine Automation
- Remote Maintenance
- Remote Diagnosis
- Testing Equipment

## Internal I/O Structure



## Pin Assignments

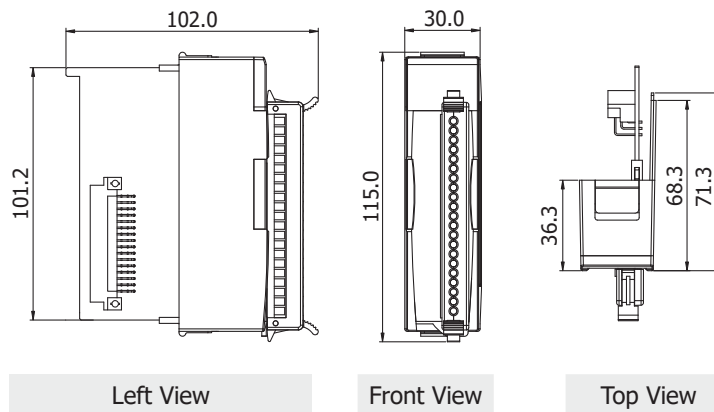


Terminal No.	Pin Assignment
01	NO0
02	COM0
03	NO1
04	COM1
05	-
06	NO2
07	COM2
08	NO3
09	COM3
10	-
11	NO4
12	COM4
13	NO5
14	COM5
15	-
16	NO6
17	COM6
18	NO7
19	COM7
20	-

## Wire Connections

Output Type	ON State Readback as 1	OFF State Readback as 0
Relay Output		

## Dimensions (Unit: mm)



## Ordering Information

<b>I-87064W-G CR</b>	8-channel Relay Output Module using the DCON Protocol (RoHS)
----------------------	--