



I-87063W

4-Channel Isolated Digital Input and
4-Channel Relay Output Module

Features

- 4-channel Digital Input and 4-channel Relay Output
- Sink-type and Source-type Digital Input
- Form C Power Relay Output
- Configurable Power-on Value
- Configurable Safe Value
- 4 kV ESD Protection
- 3750 Vrms Intra-module Isolation



Introduction

The I-87063W module provides 4 isolated Digital Input channels and 4 Form C Relay Output channels. All Digital Input channels can be used as 16-bit counters. In addition, either sink- or source-type Digital Input can be selected via the wire connections. The I-87063W includes 8 LED indicators that can be used to monitor the status of the Digital Input and Relay Output, and options are available for configuring power-on and safe values. 4 kV ESD protection and 3750 VDC intra-module isolation are also provided to enhance the noise protection capabilities of the module in harsh industrial environments.

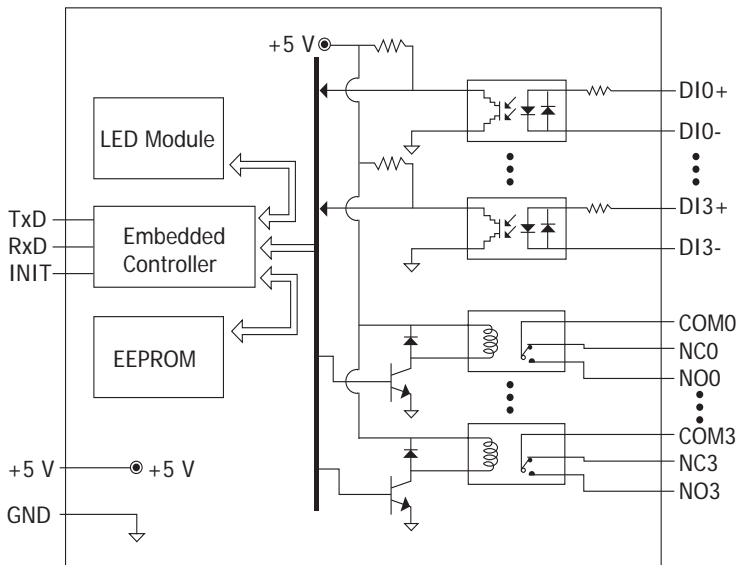
System Specifications

COM Port	
Ports	RS-485
Data Format	N, 8, 1
Baud Rate	1200 ~ 115200 bps
Protocol	DCON
CPU Module	
Dual Watchdog Timer	Module (1.6 Seconds), Communication (Programmable)
LED Indicators	
System LED Indicator	1
I/O LED Indicator	8
Isolation	
Intra-module Isolation, Field-to-Logic	3750 Vrms
EMS Protection	
ESD (IEC 61000-4-2)	±4 kV Contact for Each port; ±8 kV Contact for Random Point
Power	
Consumption	1.5 W Max.
Mechanical	
Dimensions (W x L x H)	115 mm x 30 mm x 102 mm
Environment	
Operating Temperature	-25 ~ +75 °C
Storage Temperature	-40 ~ +85 °C
Humidity	10 ~ 95 % RH, Non-condensing

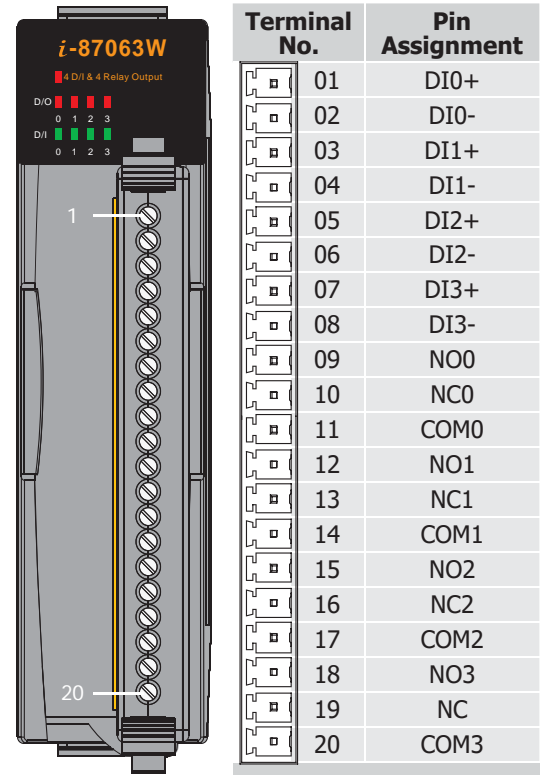
I/O Specifications

Digital Input/Counter	
Channels	4
Type	Wet Contact
Sink/Source (NPN/PNP)	Sink, Source
ON Voltage Level	+3.5 ~ +30 VDC
OFF Voltage Level	+1 VDC Max.
Max. Counts	16-bit (65535)
Frequency	100 Hz
Min. Pulse Width	5 ms
Input Impedance	3 kΩ, 0.5 W
Relay Output	
Channels	4, Form C
Type	Power Relay
Contact Rating	Form C: 5 A (NO)/3 A (NC) @ 30 VDC; 5 A (NO)/3 A (NC) @ 277 VAC
Operate Time	10 ms Max.
Release Time	5 ms Max.
Electrical Endurance	1 × 10 ⁵ ops.
Mechanical Endurance	5 × 10 ⁶ ops.
Power on Value	Yes
Safe Value	Yes

Internal I/O Structure



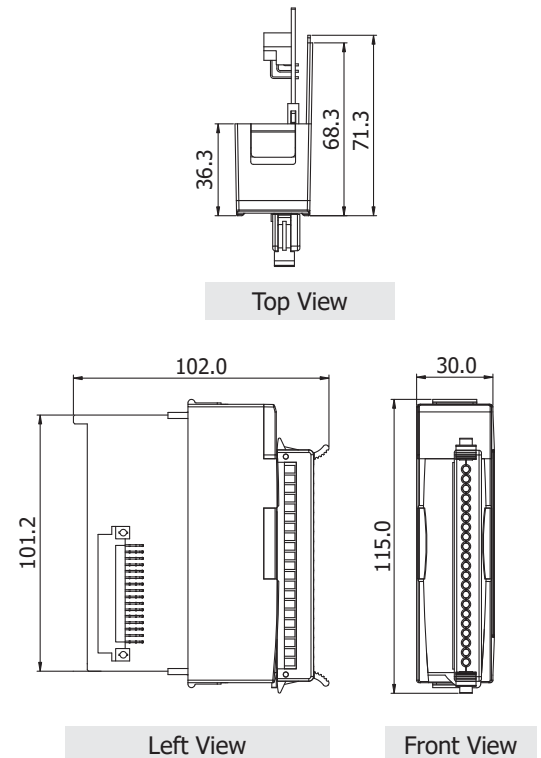
Pin Assignments



Wire Connections

Input Type	ON State Readback as 1	OFF State Readback as 0
Sink	OPEN or < +1 VDC	+4 ~ +30 VDC
Source	OPEN or < +1 VDC	+4 ~ +30 VDC
Output Type	ON State Readback as 1	OFF State Readback as 0
Relay Output	Relay ON	Relay OFF

Dimensions (Units: mm)



Ordering Information

I-87063W-G CR	4-channel Isolated Digital Input and 4-channel Relay Output Module using the DCON Protocol (RoHS)
----------------------	---