



I-87061W | I-87061PW

16-channel Power Relay Output Module

Features

- 16-channel Power Relay Output
- Form A Power Relay Output
- Dual Watchdog
- Configurable Power-on Value Settings
- Configurable Safe Value Settings
- 4 kV ESD Protection
- 3750 VDC Intra-module Isolation



Introduction

The I-87061PW is a 16-channel Power Relay Output module where each Relay Output channel is independent. The I-87061W is a 16-channel power relay output module with the output channels partitioned into four groups, where each group provides four channels that share a single COM point. Both the I-87061W and I-87061PW modules include 16 LED indicators that can be used to monitor the status of the relay output, and options for configuring both power-on and safe relay output values are also available. 4 kV ESD protection and 3750 VDC intra-module isolation are provided as standard to enhance the noise protection capabilities in harsh industrial environments.

System Specifications

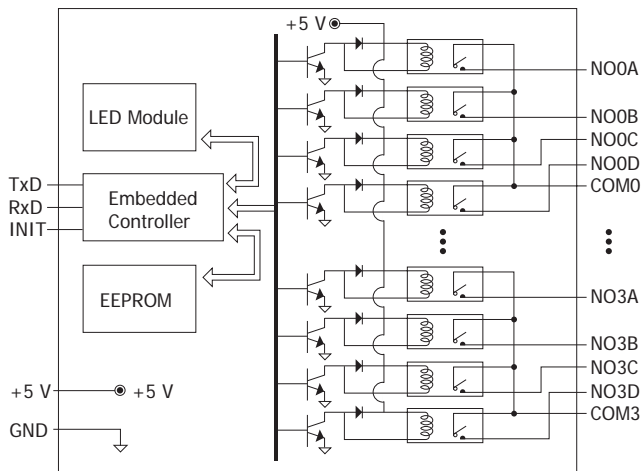
Model	I-87061W	I-87061PW
COM Port		
Ports	RS-485	
Data Format	N, 8, 1	
Baud Rate	1200 ~ 115200 bps	
Protocol	DCON	
CPU Module		
Dual Watchdog Timer	Module (1.6 Seconds), Communication (Programmable)	
LED Indicators		
System LED Indicator	1	
I/O LED Indicator	16	
Isolation		
Intra-module Isolation, Field-to-Logic	3750 VDC	
EMS Protection		
ESD (IEC 61000-4-2)	±4 kV Contact for Each port, ±8 kV Air for Random Poin	
Power		
Consumption	1.9 W Max.	
Mechanical		
Dimensions (W x L x H, unit: mm)	30 × 115 × 102	30 × 114 × 110
Environment		
Operating Temperature	-25 ~ +75 °C	
Storage Temperature	-40 ~ +85 °C	
Humidity	10 ~ 95 % RH, Non-condensing	

I/O Specifications

Model		I-87061W	I-87061PW
Relay Output			
Channels	16, Form A		
Wiring	Four groups, each group providing four channels that share a single COM point.	Differential	
Type	Power Relay		
Contact Material	Silver Tin Alloy		
Form A Relay	Contact Rating	10 A @ 250 VAC/per Module COM point 10 A @ 24 VDC/per Module COM point Max. Single Relay Load Current 5 A at 25°C Min. Contact Load: 10 mA @ 5 V	3 A @ 250 VAC/per channel 3 A @ 24 VDC/per channel
	Operate Time	10 ms (Max.)	
	Release Time	5 ms (Max.)	
	Electrical Endurance	1 × 10 ⁵ ops.	
	Mechanical Endurance	2 × 10 ⁷ ops.	
Power on Value	Yes		
Safe Value	Yes		

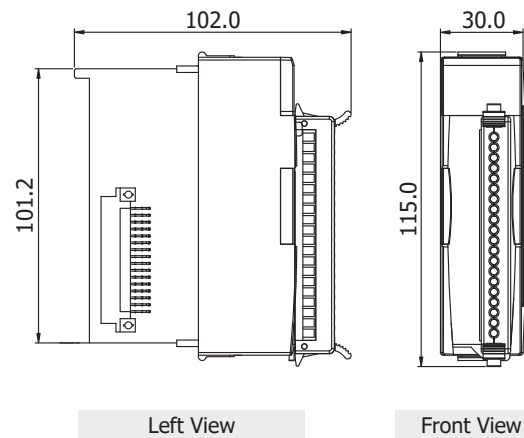
Internal I/O Structure

I-87061W

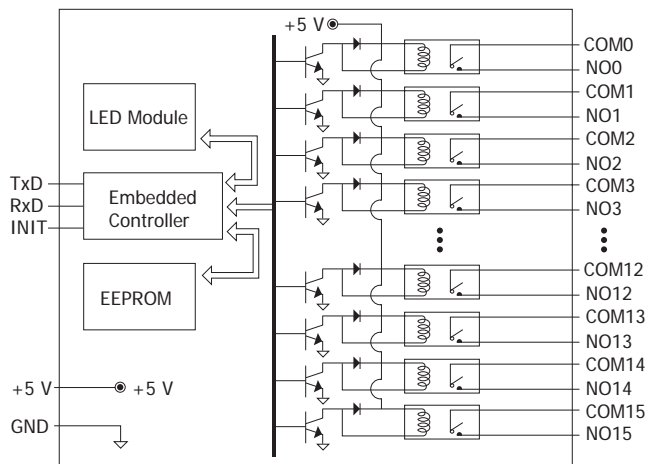


Dimensions (Units: mm)

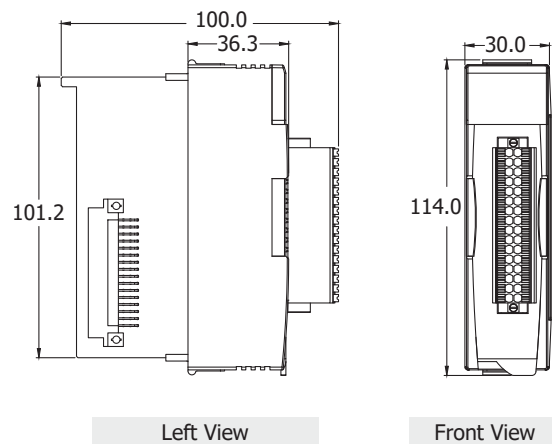
I-87061W



I-87061W

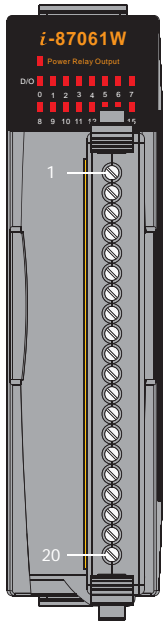


I-87061W



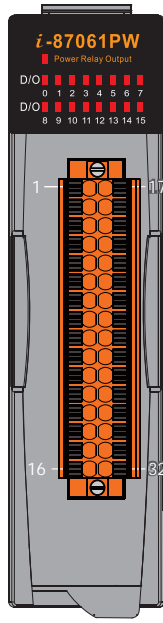
Pin Assignments

I-87061W



Terminal No.	Pin Assignment
01	NO0A
02	NO0B
03	NO0C
04	NO0D
05	COM0
06	NO1A
07	NO1B
08	NO1C
09	NO1D
10	COM1
11	NO2A
12	NO2B
13	NO2C
14	NO2D
15	COM2
16	NO3A
17	NO3B
18	NO3C
19	NO3D
20	COM3

I-87061PW



Pin Assignment	Terminal No.	Pin Assignment	
NO0	01	17	NO0A
NO1	02	18	NO0B
NO2	03	19	NO0C
NO3	04	20	NO0D
NO4	05	21	COM0
NO5	06	22	NO1A
NO6	07	23	NO1B
NO7	08	24	NO1C
NO8	09	25	NO1D
NO9	10	26	COM1
NO10	11	27	NO2A
NO11	12	28	NO2B
NO12	13	29	NO2C
NO13	14	30	NO2D
NO14	15	31	COM2
NO15	16	32	NO3A

Wire Connections

Output Type	ON State Readback as 1	OFF State Readback as 1
Relay Output		

Accessories

SG-770 CR



7-channel Differential or 14-channel Single-ended Surge Protector (RoHS)

Ordering Information

I-87061W CR	16-channel Power Relay Output Module (4 groups, each group provides 4-ch that share a single COM point) (RoHS)
I-87061PW CR	16-channel Power Relay Output Module (Each Relay Output Channel is Independent) (RoHS)