



I-87054W

8-channel Isolated Digital Input and
8-channel Isolated Digital Output Module

Introduction

The I-87054W module offers 8 isolated Digital Input channels and 8 isolated Digital Output channels. Either sink- or source-type Digital Input can be selected via the wire connections, and all Digital Input channels are also able to be used as 16-bit counters. The I-87054W supports sink-type output with short circuit protection. The I-87054W includes 16 LED indicators that can be used to monitor the status of the Digital Input and Digital Output channels, and options are available for configuring both power-on and safe values. 4 kV ESD protection and 3750 VDC intra-module isolation are provided as standard.

System Specifications

COM Ports	
Port	RS-485
Data Format	N, 8, 1
Baud Rate	1200 ~ 115200 bps
Protocol	DCON
CPU Module	
Dual Watchdog	Module (1.6 Seconds), Communication (Programmable)
LED Indicators	
System LED Indicator	1
I/O LED Indicator	16
Isolation	
Intra-module Isolation, Field-to-Logic	3750 Vrms
EMS Protection	
ESD (IEC 61000-4-2)	±4 kV Contact for Each Terminal, ±8 kV Air for Random Point
Power	
Consumption	0.7 W
Mechanical	
Dimensions (W x L x H)	30 mm × 115 mm × 102 mm
Environment	
Operating Temperature	-25 ~ +75 °C
Storage Temperature	-40 ~ +85 °C
Humidity	10 ~ 95 % RH, Non-condensing

Features

- 8-ch Isolated Digital Input and 8-ch Isolated Digital Output
- Sink-type Digital Output Channels with Overload Protection
- All Digital Input Channels can be used as 16-bit Counters
- Short-circuit and Overcurrent Protection
- 4 kV ESD Protection
- 3750 VDC Intra-module Isolation
- Configurable Power-on Value and Safe Value
- Wide Operating Temperature Range: -25 to +75°C



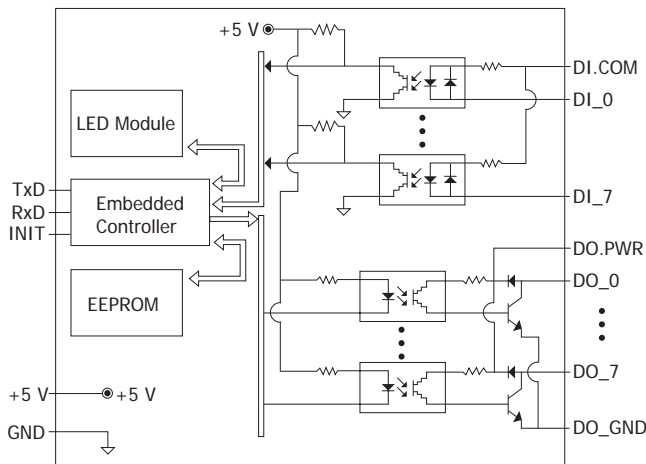
Applications

- Building Automation
- Factory Automation
- Machine Automation
- Remote Maintenance
- Remote Diagnosis
- Testing Equipment

I/O Specifications

Digital Input/Counter		
Channels	8	
Type	Wet Contact	
Sink/Source (NPN/PNP)	Sink, Source	
ON Voltage Level	+3.5 VDC ~ +50 VDC	
OFF Voltage Level	+1 VDC Max.	
Input Impedance	10 kΩ, 0.66 W	
Channels	Channels	8
	Max. Count	16-bit (65535)
	Max. Input Frequency	100 Hz
	Min. Pulse Width	5 ms
Channel-to-Channel Isolation	Yes	
Low Pass Filter	Yes	
Digital Output		
Channels	8	
Type	Open Collector	
Sink/Source (NPN/PNP)	Sink	
Load Voltage	+5 VDC ~ +50 VDC	
Max. Load Current	700 mA/channel	
Overvoltage Protection	60 VDC	
Overload Protection	Yes	
Short-circuit and Overcurrent Protection	1.4 A	
Power-on Value	Yes	
Safe Value	Yes	

Internal I/O Structure

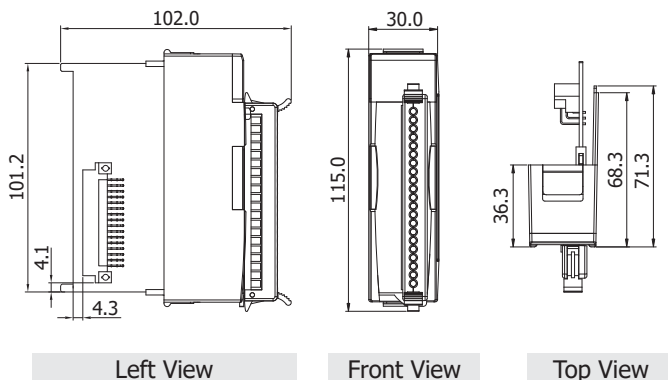


Wire Connections

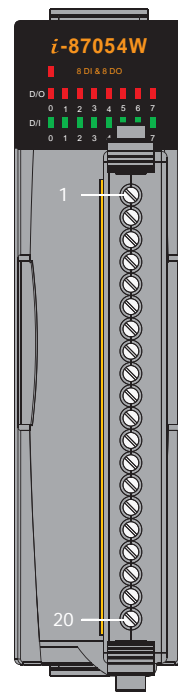
Digital Input/Counter	ON State Readback as 1	OFF State Readback as 0
Sink	<p>OPEN or < +1 VDC</p>	<p>+4 ~ +30 VDC</p>
Source	<p>OPEN or < +1 VDC</p>	<p>+4 ~ +30 VDC</p>

Digital Output	ON State Readback as 1	OFF State Readback as 0
Resistance Load		
Inductive Load		

Dimensions (Units: mm)



Pin Assignments



Terminal No.	Pin Assignment
01	DI.COM
02	DI0
03	DI1
04	DI2
05	DI3
06	DI4
07	DI5
08	DI6
09	DI7
10	DO0
11	DO1
12	DO2
13	DO3
14	DO4
15	DO5
16	DO6
17	DO7
18	DO.GND
19	DO.GND
20	DO.PWR

Accessories

	RM-104/108/116	4/8/16-channel 16 A Power Relay Board, 1 Form C
	RM-204/208/216	4/8/16-channel 8 A Power Relay Board, 2 Form C
	DN-SSR4	4-channel 1A Solid-state Relay Board, 1 Form A
	RM-22.22	1-channel 20 A Power Relay for Direct 35 mm Rail (EN 50022) Mounting, 2 Form A
	SG-770 CR	7-channel Differential or 14-channel Single-ended Surge Protector (RoHS)

Ordering Information

I-87054W-G CR	8-channel Isolated Digital Input and 8-channel Isolated Digital Output Module using the DCON Protocol (RoHS)
----------------------	--