



I-87053W-AC1

16-ch Isolated AC (10~80VAC) DI Module

Features

- 16-channel AC Digital Input
- Photo Couple Isolation
- Channel Status LED Indicators
- All Channels can be used as 16-bit Counters
- 3750 Vrms Intra-module Isolation
- ±4 kV ESD Protection



Introduction

I-87053W-AC1 offers 16 channels for AC digital input. All of its channels are not only with isolation but also able to be used as counters. I-87053W-AC1 has 16 LED indicators for channel status as well as qualification for 4 kV ESD protection and 3750 Vrms intra-module isolation.

System Specifications

COM Port	
Ports	RS-485
Data Format	N, 8, 1
Baud Rate	1200 ~ 115200 bps
Protocol	DCON
CPU Module	
Dual Watchdog Timer	Module (1.6 Seconds), Communication (Programmable)
LED Indicators	
System LED Indicator	1
I/O LED Indicator	16
Isolation	
Intra-module Isolation, Field-to-Logic	3750 Vrms
EMS Protection	
ESD (IEC 61000-4-2)	±4 kV Contact for Each Terminal
Power	
Consumption	1.5 W Max.
Mechanical	
Dimensions (W x L x H)	30 mm x 115 mm x 102 mm
Environment	
Operating Temperature	-25 ~ +75 °C
Storage Temperature	-40 ~ +85 °C
Humidity	10 ~ 90 % RH, Non-condensing

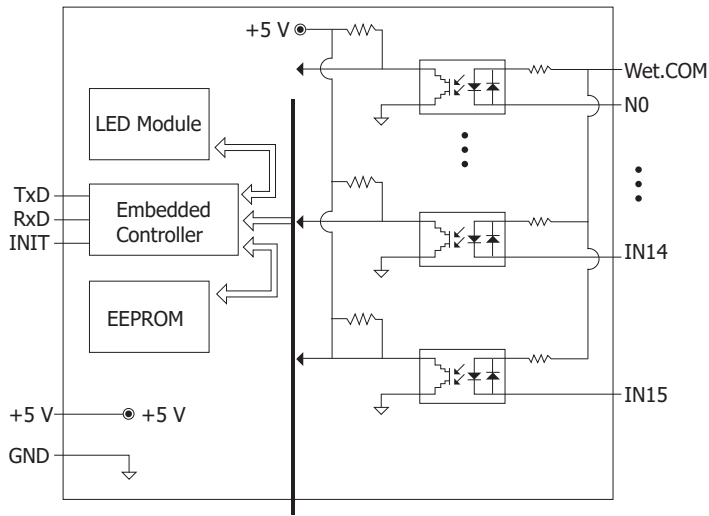
I/O Specifications

Digital Input/Counter	
Channels	16
Type	Wet Contact
ON Voltage Level	10 ~ 80 VAC
OFF Voltage Level	3 VAC Max.
AC Frequency	47 ~ 400 Hz (> 45 Hz min)
Input Impedance	10 kΩ, 0.66 W
Max. Counts	16-bit (65535)
Frequency	100 Hz
Min. Pulse Width	5 ms

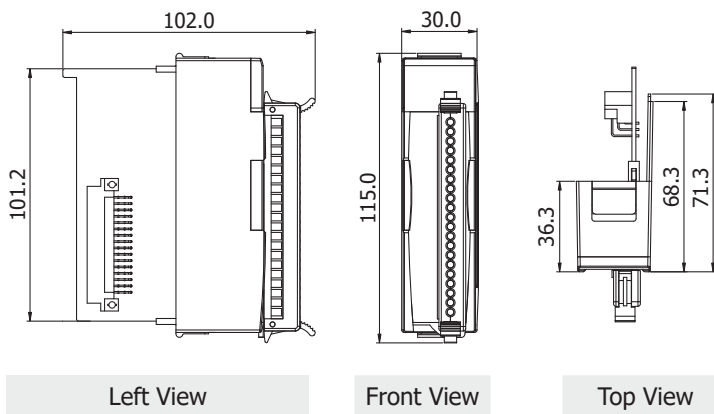
Applications

- Building Automation
- Factory Automation
- Machine Automation
- Remote Maintenance
- Remote Diagnosis
- Testing Equipment

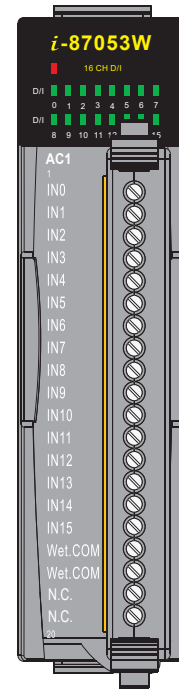
Internal I/O Structure



Dimensions (Unit: mm)

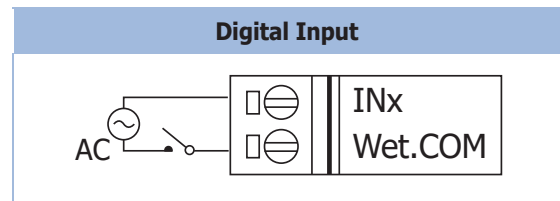


Pin Assignments



Terminal No.	Pin Assignment
01	IN0
02	IN1
03	IN2
04	IN3
05	IN4
06	IN5
07	IN6
08	IN7
09	IN8
10	IN9
11	IN10
12	IN11
13	IN12
14	IN13
15	IN14
16	IN15
17	Wet.COM
18	Wet.COM
19	N.C.
20	N.C.

Wire Connections



Ordering Information

I-87053W-AC1-G CR

16-channel AC Isolated Digital Input Module with 16-bit Counters (RoHS)