



## I-87018W | I-87018RW

8-channel Thermocouple Input Module

### Features

- 8-channel Analog Input
- Current Input, Voltage Input and Thermocouple Input
- High Resolution: 16-bit
- 3000 VDC Intra-module Isolation
- Open Wire Detection
- 240 Vrms Overvoltage Protection
- 4 kV ESD Protection



### Introduction

The I-87018W is an 8-channel analog input module that provides current input and voltage input, as well as thermocouple input. The I-87018RW is an upgraded version of I-87018W with an extremely high-quality protection mechanism where the overvoltage protection can be as high as 240 Vrms. The input type can be set to either current or voltage, as well as thermocouple. The only difference between the two modules is that the I-87018RW is more suitable for critically harsh environments. Moreover, the newly added open thermocouple detection feature makes the I-87018RW more attractive than ever. Both the I-87018W and the I-87018RW also features 4 kV ESD protection and 3000 VDC intra-module isolation.

### System Specifications

Model	I-87018W	I-87018RW
<b>COM Port</b>		
Ports	RS-485	
Data Format	N, 8, 1	
Baud Rate	1200 ~ 115200 bps	
Protocol	DCON	
<b>CPU Module</b>		
Dual Watchdog Timer	Module (1.6 Seconds), Communication (Programmable)	
<b>LED Indicators</b>		
System LED Indicator	1	
I/O LED Indicator	-	16
<b>Isolation</b>		
Intra-module Isolation, Field-to-Logic	3000 VDC	
<b>EMS Protection</b>		
ESD (IEC 61000-4-2)	±4 kV Contact for Each port, ±8 kV Air for Random Poin	
<b>Power</b>		
Consumption	0.8 W Max.	0.6 W Max.
<b>Mechanical</b>		
Dimensions (W x L x H)	I-87018W: 32 mm × 117 mm × 96 mm I-87018RW: 30 mm × 115 mm × 102 mm	
<b>Environment</b>		
Operating Temperature	-25 ~ +75 °C	
Storage Temperature	-40 ~ +85 °C	
Humidity	10 ~ 95 % RH, Non-condensing	

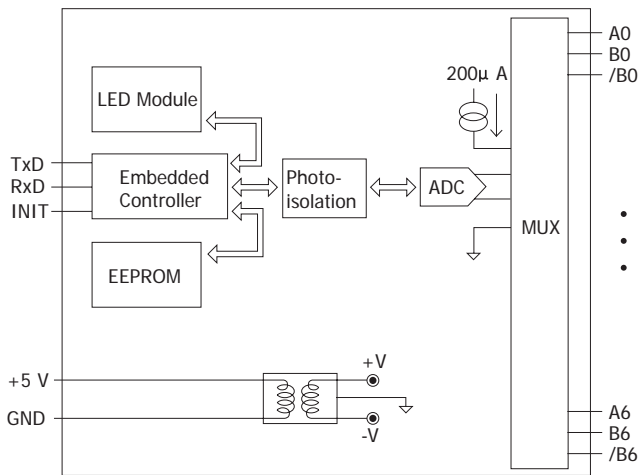
### I/O Specifications

Model	I-87018W	I-87018RW
<b>Analog Input</b>		
Channels	8	
Wiring	Differential	
Sensor Typee	±15 mV, ±50 mV, ±100 mV, ±500 mV, ±1 VDC, ±2.5 VDC -20 mA ~ +20 mA (Requires Optional External 125 Ω Resistor) Thermocouple (J, K, T, E, R, S, B, N, C, L, M, LDIN43710)	
Resolution	16-bit	
Accuracy	±0.1 % of FSR	
Sampling Rate	10 Hz (Total)	
-3dB Bandwidth	15.7 Hz	
Zero Drift	±0.5 μV/°C	±10 μV/°C
Span Drift	±25 ppm/°C	
Common Mode Rejection	150 dB	
Normal Mode Rejection	100 dB	
Input Impedance	> 400 MΩ	
Open Wire Detection	-	Yes (Thermocouple)
Overvoltage Protection	±35 VDC	240 Vrms

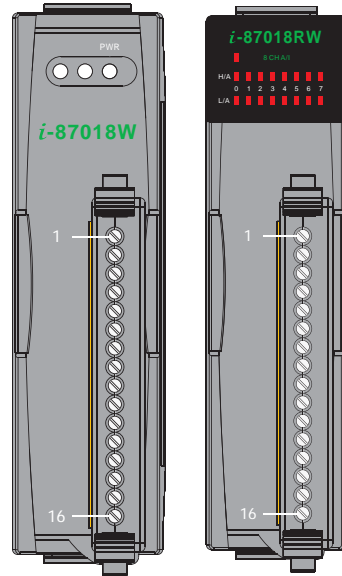
### Applications

- Building Automation
- Factory Automation
- Machine Automation
- Remote Maintenance
- Remote Diagnosis
- Testing Equipment

## Internal I/O Structure

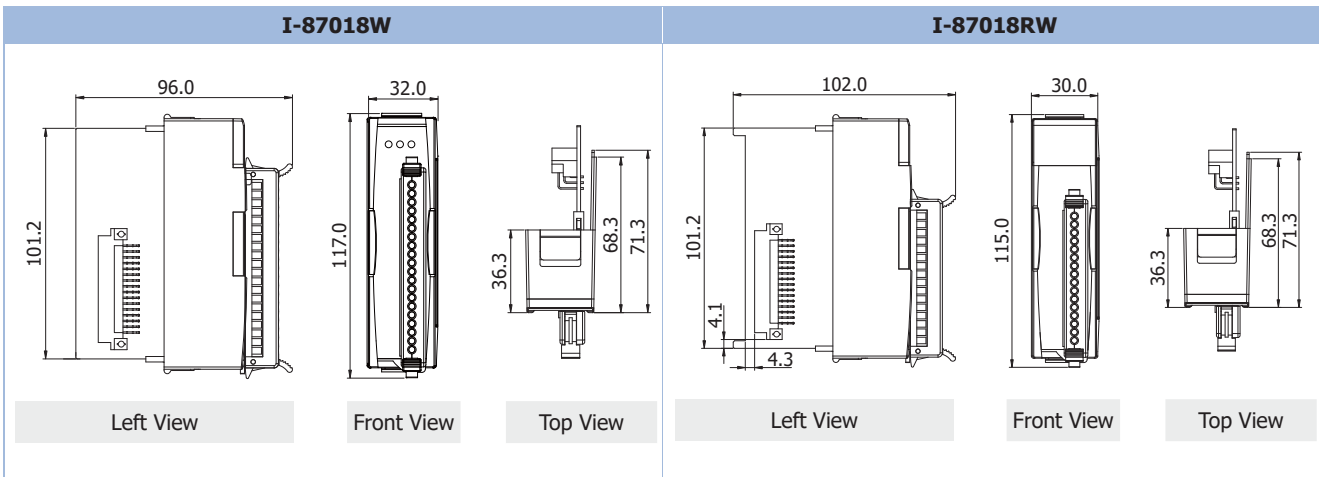


## Pin Assignments



Terminal No.	Pin Assignment
01	Vin0+
02	Vin0-
03	Vin1+
04	Vin1-
05	Vin2+
06	Vin2-
07	Vin3+
08	Vin3-
09	Vin4+
10	Vin4-
11	Vin5+
12	Vin5-
13	Vin6+
14	Vin6-
15	Vin7+
16	Vin7-

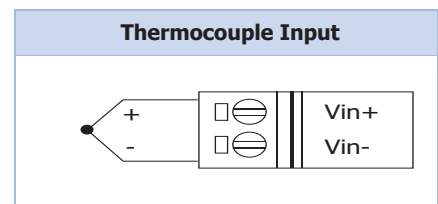
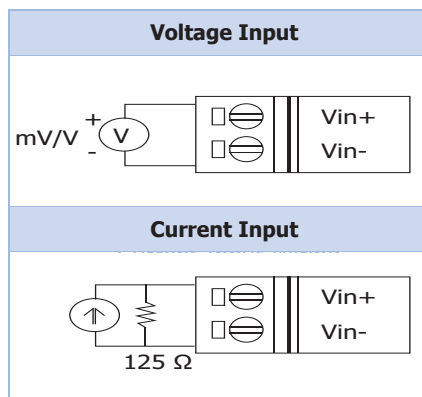
## Dimensions



## Thermocouple Type

Type Code	Temperature Range
J	-210 ~ +760 °C
K	-270 ~ +1372 °C
T	-270 ~ +400 °C
E	-270 ~ +1000 °C
R	0 ~ +1768 °C
S	0 ~ +1768 °C
B	0 ~ +1820 °C
N	-270 ~ +1300 °C
C	0 ~ +2320 °C
L	-200 ~ + 800 °C
M	-200 ~ + 100 °C
LDIN43710	-200 ~ + 900 °C

## Wire Connections



Note: When Connecting to a current source, an optional external 125 Ω resistor is required.

## Accessories

<b>2AB125R CR</b>	125 Ω, 0.1% DIP Resistor used for Current Type Input Modules (RoHS)
-------------------	---

## Ordering Information

<b>I-87018W-G CR</b>	8-channel Thermocouple Input Module (RoHS)
<b>I-87018RW-G CR</b>	8-channel Thermocouple Input Module with High Overvoltage Protection (RoHS)