



## I-87017W-A5

8-channel High Voltage Analog Input Module

### Features

- 8-channel Analog Input
- Voltage Input
- Adjustable Sampling Rate
- Overvoltage Protection
- 4 kV ESD and EFT Protection
- 3000 VDC Intra-module Isolation



### Introduction

The I-87017W-A5 module is especially designed for high voltage input, and has an input range of between -150 V and +150 V. The sampling rate for the I-87017W-A5 is adjustable and can be switched between fast mode and normal mode depending on specific requirements. The I-87017W-A5 also features 4 kV ESD protection as well as 3000 VDC intra-module isolation.

### System Specifications

COM Port	
Ports	RS-485
Data Format	N, 8, 1
Baud Rate	1200 ~ 115200 bps
Protocol	DCON
CPU Module	
Dual Watchdog Timer	Module (1.6 Seconds), Communication (Programmable)
LED Indicators	
System LED Indicator	1 LED as Power Indicator
I/O LED Indicator	16 as High/Low Alarm Signals
Isolation	
Intra-module Isolation, Field-to-Logic	3000 VDC
EMS Protection	
ESD (IEC 61000-4-2)	±4 kV Contact for Each port, ±8 kV Air for Random Poin
Power	
Consumption	1.3 W Max.
Mechanical	
Dimensions (W x L x H)	30 mm x 115 mm x 102 mm
Environment	
Operating Temperature	-25 ~ +75 °C
Storage Temperature	-40 ~ +85 °C
Humidity	10 ~ 95 % RH, Non-condensing

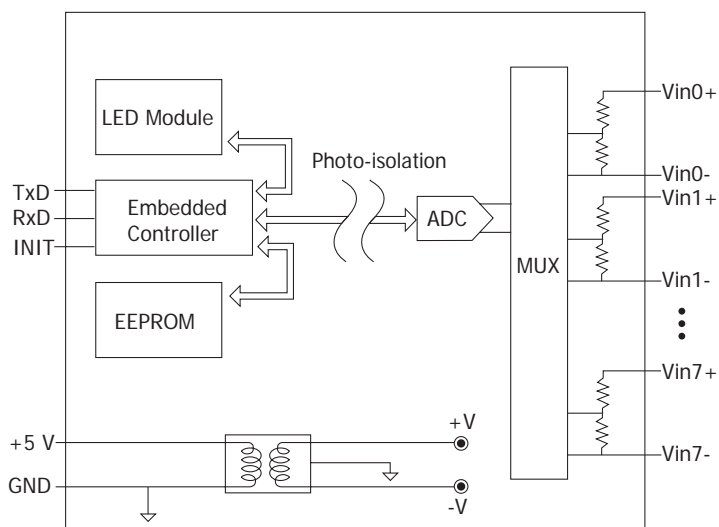
### I/O Specifications

Analog Input		
Channels		8
Wiring		Differential
Range		±50 VDC, ±150 VDC
Resolution		16-bit
Accuracy	Normal Mode	±0.1 % of FSR
	Fast Mode	±0.25% of FSR
Sampling Rate	Normal Mode	10 Hz (Total)
	Fast Mode	50 Hz (Total)
3dB Bandwidth		15.7 Hz
Zero Drift		±20 μV/°C
Span Drift		±25 ppm/°C
Common Mode Rejection		86 dB
Normal Mode Rejection		100 dB
Input Impedance		290 MΩ
Overvoltage Protection		-200 ~ +200 VDC

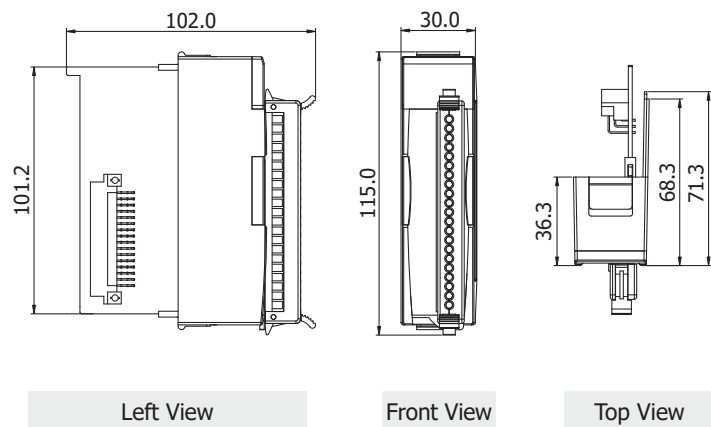
### Applications

- Building Automation
- Factory Automation
- Machine Automation
- Remote Maintenance
- Remote Diagnosis
- Testing Equipment

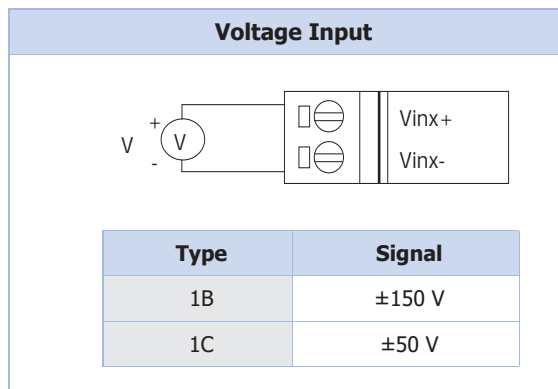
## Internal I/O Structure



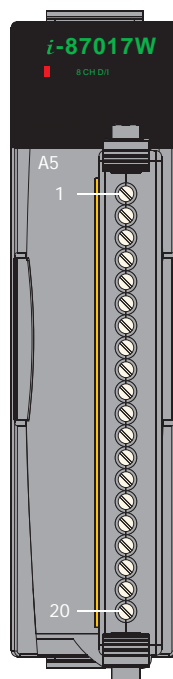
## Dimensions (Unit: mm)



## Wire Connections




## Pin Assignments



Terminal No.	Pin Assignment
01	Vin0+
02	Vin0-
03	Vin1+
04	Vin1-
05	Vin2+
06	Vin2-
07	Vin3+
08	Vin3-
09	Vin4+
10	Vin4-
11	Vin5+
12	Vin5-
13	Vin6+
14	Vin6-
15	Vin7+
16	Vin7-
17	AGND
18	AGND
19	FG
20	FG

## Accessories



**SG-770 CR**

7/14-channel Differential/Single-ended Surge Protector (RoHS)

## Ordering Information

**I-87017W-A5-G CR**

8-channel High Voltage AI Module (RoHS)