



I-8091W

2-axis Stepping/Servo Motor Control Module

Features

- 2-axis Independent, Simultaneous Stepping Motor Control/ Servo Motor Control (Pulse Input Type)
- Maximum Pulse Rate: 1 Mpps
- Maximum Step Counts: $2^{32} - 1$ Steps
- Command Type Interface
- Automatic Trapezoidal Acceleration/Deceleration
- Output Pulse modes: CW/CCW or Pulse/Direction
- Output Polarity can be Programmable
- 3 Optical Isolated Digital Inputs per Axis for Limit Switches
- Programmable Limit Switch Initial Condition as Normal Open (N.O.) or Normal Close (N.C.)



Introduction

I-8091W stepping motor control card is a micro-computer controlled, 2-axis pulse generation card. It includes a 2K bytes FIFO to receive motion command from host. A micro-computer for profile generation and protection, 2-axis DDA chip to execute DDA function when interpolation command is used, 2500 Vrms optical isolation inserted for industrial application.

Applications

- X-Y Table
- Transfer Machine
- Loader/Unloader
- Fix-Pitch Stamping Machine
- Spinner

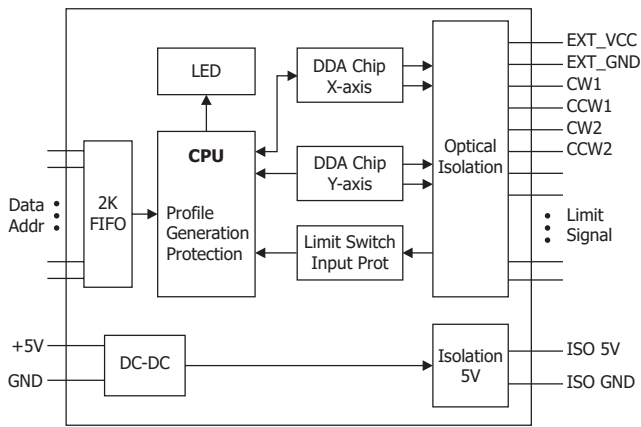
System Specifications

LED Indicators	
System LED Indicator	1
I/O LED Indicator	7
Isolation	
Intra-module Isolation, Field-to-Logic	2500 Vrms
EMS Protection	
ESD (IEC 61000-4-2)	±4 kV Contact for Each Terminal
Power	
Consumption	3.9 W Max.
Mechanical	
Dimensions (W x L x H)	31 mm × 114 mm × 86 mm
Environment	
Operating Temperature	-25 ~ +75 °C
Storage Temperature	-30 ~ +75 °C
Humidity	5 ~ 95 % RH, Non-condensing

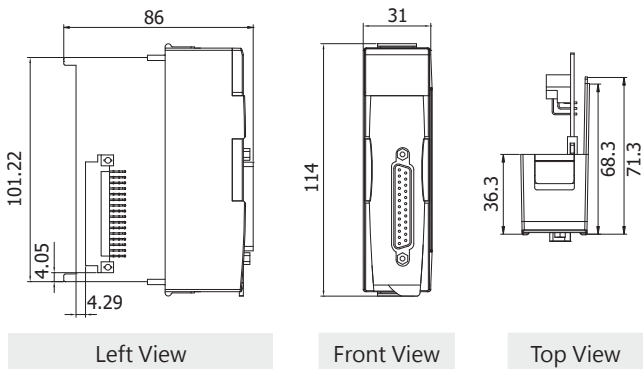
I/O Specifications

Motor Output	
No. of Axes	2-axis
Step Frequency	1 Mpps
Output Pulse Mode	1. CW/CCW, 2. Pulse/Direction
Maximum Step Counts	$2^{32} - 1$ steps
Limit Switches	3 optical isolated inputs per axis
Interpolation Command	2-axis linear, 2-axis circular

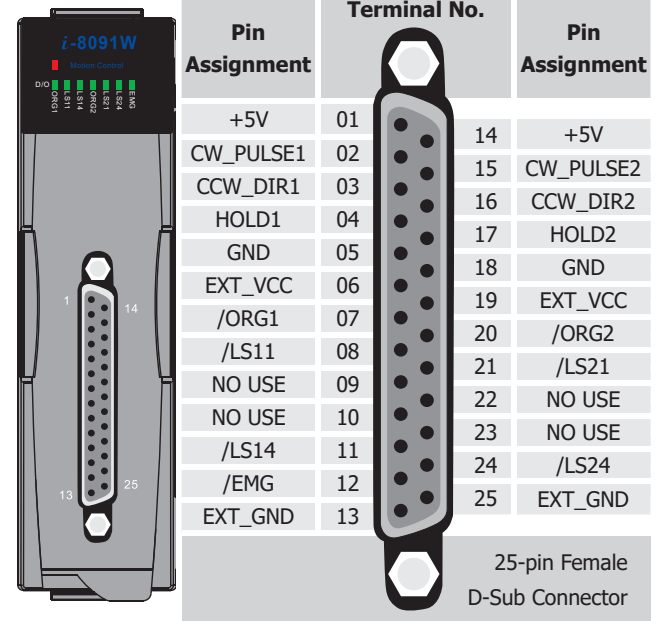
Internal I/O Structure



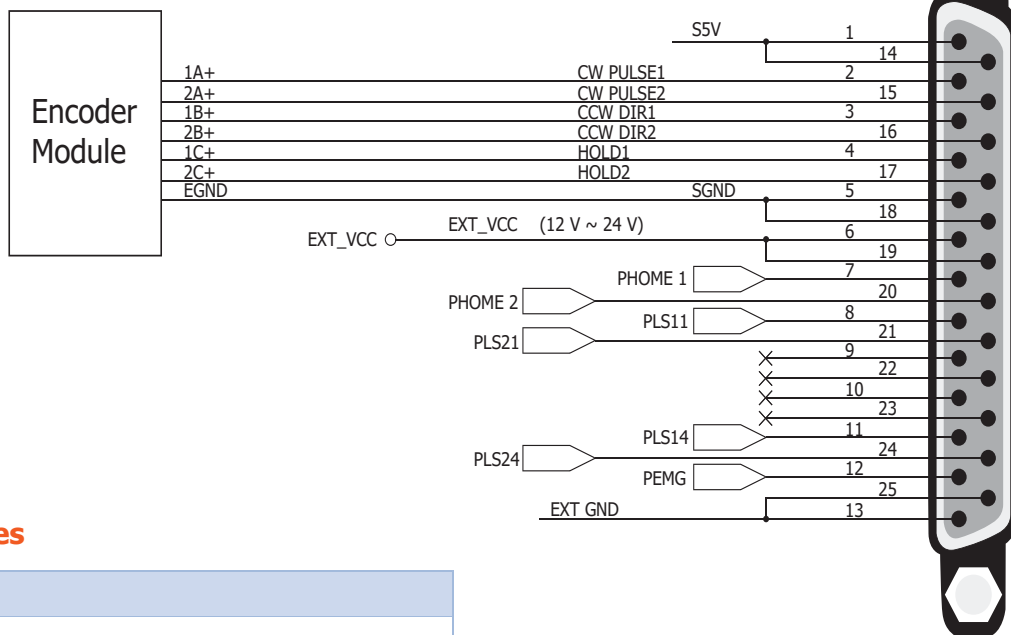
Dimensions (Units: mm)



Pin Assignments



Wire Connections



Accessories

DN-25 CR



25/9 pin D-sub I/O Connector Block (Pitch = 5.08 mm) with DIN-rail Mounting (RoHS)
 Include: CA-0920 (DB9 (Male) to DB9 (Male) Cable [RS-232; Pin1-Pin9], 2 M) and CA-2520 (DB25 Male to Male, 45°, 2 M)

Ordering Information

I-8091W-G CR

2-axis Stepping/Servo motor Control Module (RoHS)
 Includes CA-PC25M (DB25 connector Male with plastic cover) (Only suitable for iPAC-8000 and ISaGRAF PAC)