



## I-8069W

8-channel PhotoMOS Relay Output Module

### Features

- 8 PhotoMos Relay Outputs
- No Arcing, No Bounce, and No Switching Noise
- Optical Isolation
- 1500 VDC Intra-module Isolation
- 4 kV ESD Protection
- Wide Operating Temperature Range: -25 ~ +75 °C



### Introduction

Both the I-8069W features eight Form A PhotoMOS relay output channels. In comparison to electromechanical relays, the PhotoMOS relays provide a faster response time, greater electrical endurance, higher vibration and shock resistance, and both the I-8069W include eight LED indicators that are used to display channel status as well as providing 4 kV ESD protection.

### Applications

- All Types of On/Off Control
- Industrial Automation
- Industrial Machinery
- Building Automation
- Food and Beverage Systems
- Semiconductor Fabrication
- Control Systems

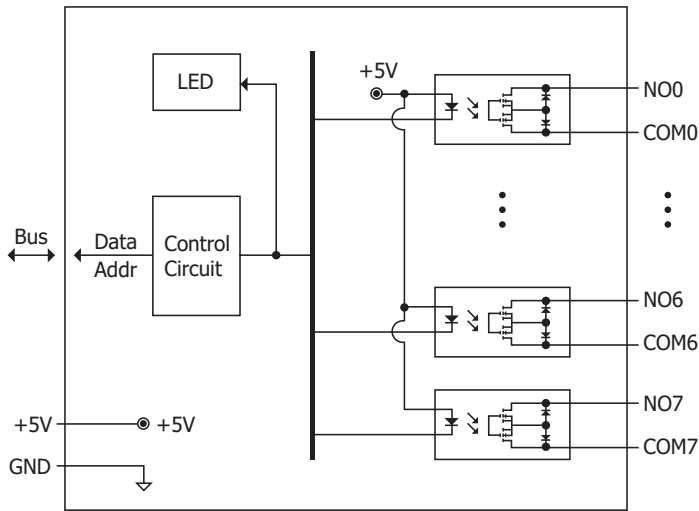
### System Specifications

LED Indicators	
System LED Indicator	1
I/O LED Indicator	8
Isolation	
Intra-module Isolation, Field-to-Logic	1500 VDC
EMS Protection	
ESD (IEC 61000-4-2)	±4 kV Contact for Each terminal
Power	
Consumption	0.6 W Max.
Mechanical	
Dimensions (W x L x H)	30 mm × 115 mm × 102 mm
Environment	
Operating Temperature	-25 ~ +75 °C
Storage Temperature	-40 ~ +85 °C
Humidity	10 ~ 90 % RH, Non-condensing

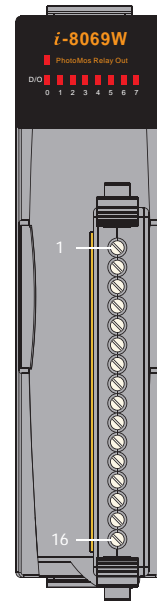
### I/O Specifications

Digital Output	
Load Voltage	60 VDC Max. @ DC/AC
Max. Load Current	60 VDC/1.0 A @ -25 ~ +40 °C
	60 VDC/0.8 A @ +40 ~ +60 °C
	60 VDC/0.7 A @ +60 ~ +75 °C
Relay Output	
Channel	8 (Form A)
Type	PhotoMOS Relay
Turn on time	5.0 ms (Typical)
Turn off time	0.3 ms (Typical)
Peak Load Current	3 A @ 100 ms
Output Off State Leakage Current	1 uA
Output On Resistance	0.15 Ω

## Internal I/O Structure

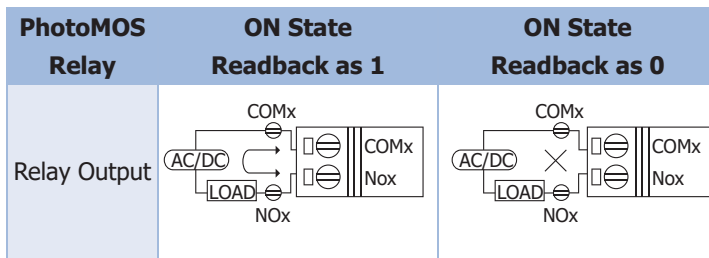


## Pin Assignments

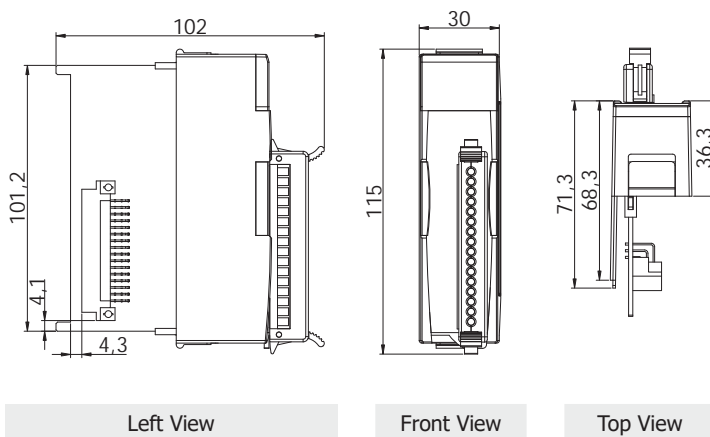


Terminal No.	Pin Assignment
01	NO0
02	COM0
03	NO1
04	COM1
05	NO2
06	COM2
07	NO3
08	COM3
09	NO4
10	COM4
11	NO5
12	COM5
13	NO6
14	COM6
15	NO7
16	COM7

## Wire Connections



## Dimensions (Unit: mm)



## Ordering Information

**I-8069W-G CR** 8-channel PhotoMOS Relay Output Module (RoHS)