



I-8063W

4-Channel Isolated Digital Input and
4-Channel Relay Output Module

Features

- 4-Channel Digital Input and 4-Channel Relay Output
- Sink-type and Source-type Digital Input
- Form C Power Relay Output
- Each digital channel has its own status LED
- 4 kV ESD Protection
- Wide Operating Temperature Range: -25 ~ +75 °C



Introduction

The I-8063W module provides 4 Isolated Digital Input channels and 4 Form C Relay Output channels. In addition, either sink-type or source-type Digital Input can be selected via the wire connections. The I-8063W includes 8 LED indicators that can be used to monitor the status of the Digital Input and Relay Output, and options are available for configuring power-on and safe values. 4 kV ESD protection and 3750 VDC intra-module isolation are also provided to enhance the noise protection capabilities of the module in harsh industrial environments.

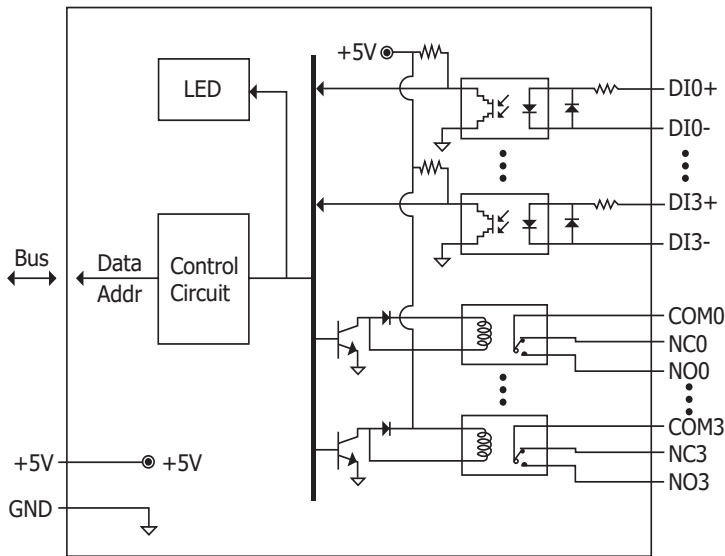
System Specifications

LED Indicators	
System LED Indicator	1 LED as Power Indicator
I/O LED Indicator	6 LEDs as Digital Input and Relay Output Status Indicator
Isolation	
Intra-module Isolation, Field-to-Logic	3750 Vrms
EMS Protection	
ESD (IEC 61000-4-2)	±4 kV Contact for each Terminal
Power	
Consumption	2 W Max.
Mechanical	
Dimensions (W x L x H)	30 mm x 102 mm x 115 mm
Environment	
Operating Temperature	-25 ~ +75 °C
Storage Temperature	-30 ~ +85 °C
Humidity	5 ~ 95 % RH, Non-condensing

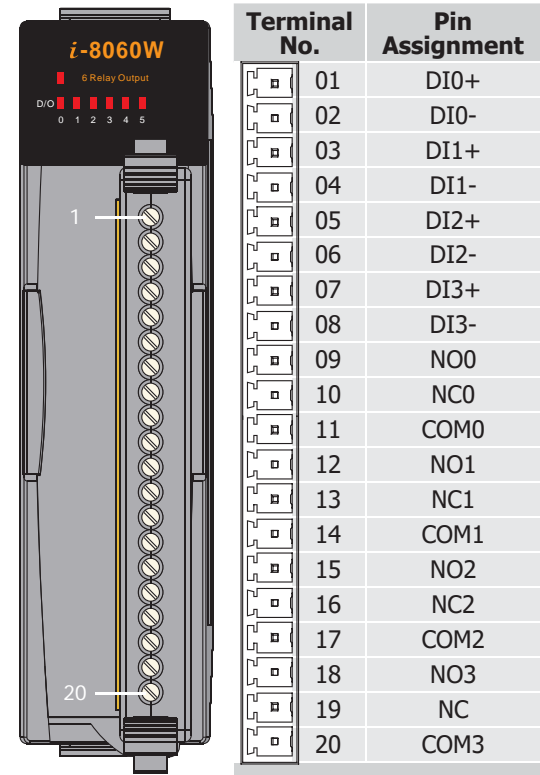
I/O Specifications

Digital Input		
Channels	4, Differential	
Type	Wet Contact	
Sink/Source (NPN/PNP)	Sink, Source	
ON Voltage Level	+10 ~ +30 VDC	
OFF Voltage Level	+4 VDC Max.	
Input Impedance	3 kΩ, 0.5 W	
Relay Output/Digital Output		
Channels	6, Form C	
Type	Power Relay	
Contact Rating	5 A (NO)/3 A (NC) @ 30 VDC; 5 A (NO)/3 A (NC) @ 277 VAC	
Operate Time	10 ms Max.	
Release Time	5 ms Max.	
Electrical Endurance	500,000 Min. @ 30 VDC @ 2 A, Resistive	
Mechanical Endurance	100,000,000 Min.	
Surge Strength	Between Open Contacts	1000 Vrms (at 1 Minute)
	Between Coil and Contacts	1500 Vrms (at 1 Minute)

Internal I/O Structure



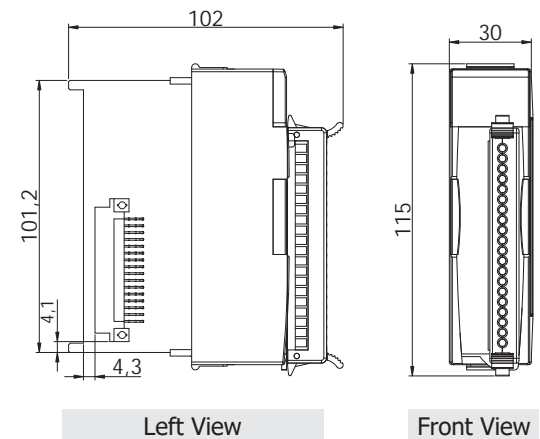
Pin Assignments



Wire Connections

Input Type	ON State Readback as 1	OFF State Readback as 0
	Relay ON	Relay OFF
Relay Contact		
	Voltage > 10 V	Voltage < 4 V
TTL/CMOS Logic		
	Open Collector ON	Open Collector OFF
Open Collector		
Output Type	ON State Readback as 1	OFF State Readback as 0
	Relay ON	Relay OFF
Relay Contact		

Dimensions (Units: mm)



Ordering Information

I-8063W-G CR	4-Channel Isolated DI and 4-Channel Power Relay Module (RoHS)
---------------------	---