



I-8055W

8-Channel Non-isolated Digital Input and
8-Channel Non-isolated Digital Output Module

Features

- 8-Channel Non-isolated Digital Input and 8-Channel Non-isolated Digital Output
- 100 mA Load Current per Channel
- Each digital channel has its own status LED
- 4 kV ESD Protection
- Wide Operating Temperature Range: -25 ~ +75 °C



Introduction

The I-8055W module offers 8 Non-isolated Digital Input channels and 8 Non-isolated Digital Output channels. The I-8055W supports sink-type Digital Output and Digital Input with dry contact connections. The I-8055W includes 16 LED indicators that can be used to monitor the status of the Digital Input and Digital Output channels. 4 kV ESD protection is provided for the Digital Input and Digital Output channels as standard.

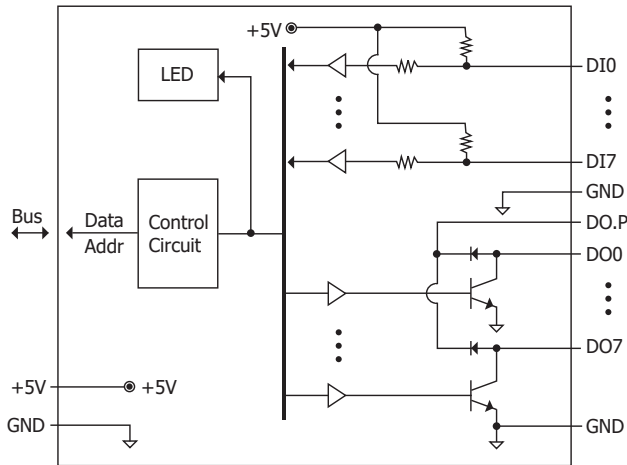
System Specifications

LED Indicators	
System LED Indicator	1 LED as Power Indicator
I/O LED Indicator	16 LEDs as I/O Status Indicator
EMS Protection	
ESD (IEC 61000-4-2)	±4 kV Contact for each Terminal
Power	
Consumption	1 W Max
Mechanical	
Dimensions (W x L x H)	30 mm x 102 mm x 115 mm
Environment	
Operating Temperature	-25 ~ +75 °C
Storage Temperature	-30 ~ +85 °C
Humidity	5 ~ 95 % RH, Non-condensing

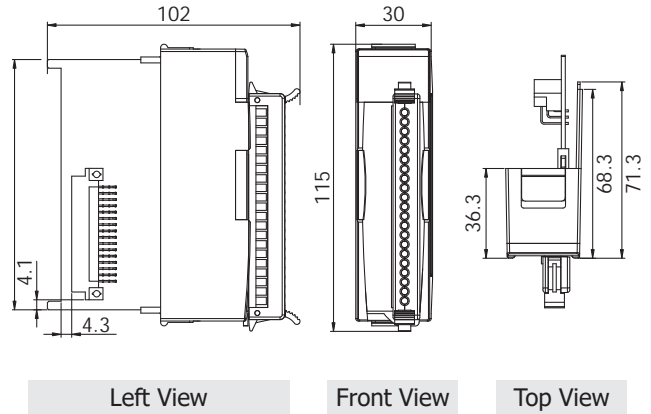
I/O Specifications

Digital Input	
Channels	8
Sink/Source (NPN/PNP)	Source
ON Voltage Level	Connect to GND
OFF Voltage Level	Open
Digital Output	
Channels	8
Type	Open Collector
Sink/Source (NPN/PNP)	Sink
Load Voltage	+5 ~ +30 VDC
Load Current	100 mA/Channel

Internal I/O Structure



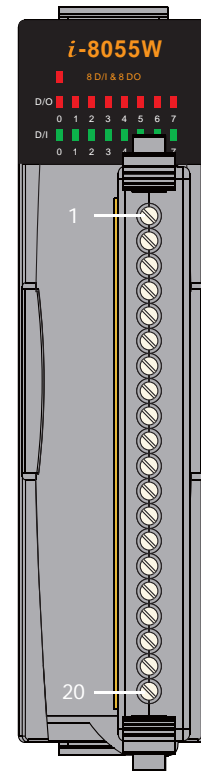
Dimensions (Units: mm)



Wire Connections

Input Type	ON State Readback as 1	OFF State Readback as 0
Relay Contact	Relay ON 	Relay OFF
	Voltage > 10 V 	Voltage < 4 V
TTL/CMOS Logic	Open Collector ON 	Open Collector OFF
	Open Collector	
Output Type	ON State Readback as 1	OFF State Readback as 0
Drive Relay	Relay ON 	Relay OFF
	Resistance Load	
Resistance Load	Relay ON 	Relay OFF

Pin Assignments



Terminal No.	Pin Assignment
01	DI0
02	DI1
03	DI2
04	DI3
05	DI4
06	DI5
07	DI6
08	DI7
09	GND
10	GND
11	GND
12	DO0
13	DO1
14	DO2
15	DO3
16	DO4
17	DO5
18	DO6
19	DO7
20	DO.PWR

Ordering Information

I-8055W-G CR	8-channel Non-isolated Digital Input and 8-channel Non-isolated Digital Output Module (RoHS)
---------------------	--