



I-8052W

8-Channel Isolated Digital Input Module

Features

- 8-Channel Isolated Digital Input
- Sink or Source-type Digital Input
- 5000 VDC Intra-module Isolation
- Each digital channel has its own status LED
- 4 kV ESD Protection
- Wide Operating Temperature Range: -25 ~ +75 °C



Introduction

The I-8052W module offers 8 fully independent differential Digital Input channels that feature 2 kV channel-to-channel Photocouple isolation. In addition, either sink- or source-type input can be selected via the wire connections. The I-8052W also includes 8 LED indicators that can be used to monitor the status of the Digital Input channels.

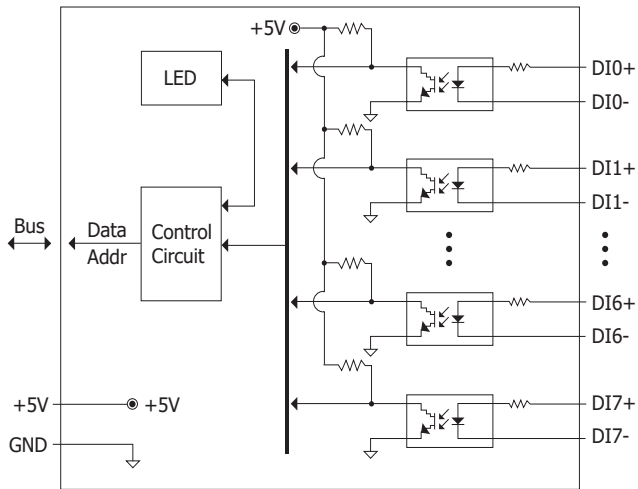
System Specifications

LED Indicators	
System LED Indicator	1 LED as Power Indicator
I/O LED Indicator	8 LEDs as I/O Status Indicator
Isolation	
Intra-module Isolation, Field-to-Logic	5000 VDC
EMS Protection	
ESD (IEC 61000-4-2)	±4 kV Contact for each Terminal
Power	
Consumption	0.3 W Max
Mechanical	
Dimensions (W x L x H)	30 mm x 102 mm x 115 mm
Environment	
Operating Temperature	-25 ~ +75 °C
Storage Temperature	-30 ~ +85 °C
Humidity	5 ~ 95 % RH, Non-condensing

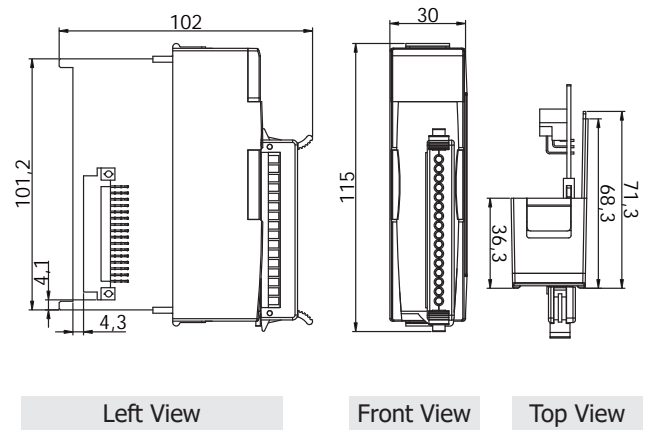
I/O Specifications

Digital Input	
Channels	8, Differential
Type	Wet Contact
Sink/Source (NPN/PNP)	Sink/Source
ON Voltage Level	+10 ~ +30 V
OFF Voltage Level	+4 V Max.
Input Impedance	3 kΩ, 0.25 W

Internal I/O Structure



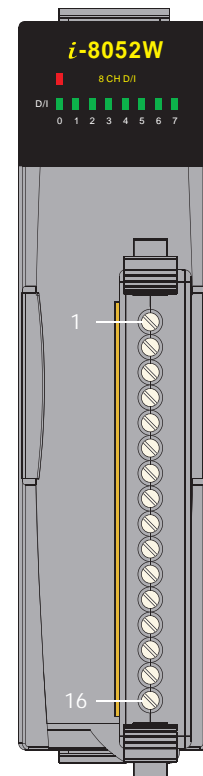
Dimensions (Units: mm)



Wire Connections

Input Type	ON State Readback as 1	OFF State Readback as 0
Relay Contact	Relay ON 	Relay OFF
	Voltage > 10 V 	Voltage < 4 V
Open Collector	Open Collector ON 	Open Collector OFF

Pin Assignments



Terminal No.	Pin Assignment
01	DI0+
02	DI0-
03	DI1+
04	DI1-
05	DI2+
06	DI2-
07	DI3+
08	DI3-
09	DI4+
10	DI4-
11	DI5+
12	DI5-
13	DI6+
14	DI6-
15	DI7+
16	DI7-

Ordering Information

I-8052W-G CR	8-Channel Isolated Digital Input Module (RoHS)
---------------------	--